

H(m)	φ(m)	lux med. 3000 K	lux max. 3000 K
5	1.2	518	830
4	1.0	809	1297
3	0.7	1438	2305
2	0.5	3235	5187
1	0.2	12941	20747

H(m)	φ(m)	lux med. 4000 K	lux max. 4000 K
5	1.2	575	921
4	1.0	898	1439
3	0.7	1596	2559
2	0.5	3591	5757
1	0.2	14365	23029

GH1595.FGST300EN

GH1595.FGST400EN

H(m)	φ(m)	lux med. 3000 K	lux max. 3000 K
5	1.2	776	1245
4	1.0	1213	1945
3	0.7	2157	3458
2	0.5	4853	7780
1	0.2	19412	31120

GH1595.ECST300EN

**CONSTRUCTIVE & DIMENSIONAL:**

Application field:	Series of spot lights to be mounted on floor, wall, spike or on a pole system.
Construction material:	Extruded aluminum EN AW-6060 T5 high resistance to oxidation, Die-cast aluminum EN AB 44100 highly resistant to oxidation
External screws:	Stainless Steel A4
Gaskets:	Silicone gaskets
Length [mm]:	332mm(13,07")
Width [mm]:	43mm(1,69")
Height / Projection [mm]:	90mm(3,54")

**ELECTRICAL:**

Description and Model Code:	GH1595.FGST300EN 1 x 21 W LED 3000 K CRI>90 1 x 1964 lm
	GH1595.FGST400EN 1 x 21 W LED 4000 K CRI>90 1 x 2180 lm
	GH1595.ECST300EN 1 x 32 W LED 3000 K CRI>90 1 x 2946 lm
Operating Power:	110-277 V / 50-60 Hz
Number of heads:	1
Number of circuits:	1
Driver positioning:	Integral
Control gear type:	Electronic
Cable entry:	Brass cable gland M16 Ø 5/10 mm
Luminaire efficiency [lm/W]:	72.98 for model GH1595.FGST300EN 71.84 for model GH1595.ECST300EN 81 for model GH1595.FGST400EN
Fixture consumption:	23.86 W for model GH1595.FGST300EN / GH1595.FGST400EN 36.36 W for model GH1595.ECST300EN
Dimmer type:	Dimmable upon request
Daisy chain wiring:	External to the luminaire with IP68 connector available as an accessory
Emergency:	Not available
Ambient temperature operating range [°C]:	-20 °C ÷ +35 °C

**OPTICAL:**

Beam angle [°]	12°
Light distribution	Symmetrical narrow beam (<=15°)
Beam directionability	Adjustable
Swivel [°]	+/- 90°
Rotation [°]	359°
Diffuser material	Sodium-calcium tempered glass 4mm
Diffuser finish	Transparent - extra clear
Diffuser temperature [°C]	< 40 °C / 104 °F
Optics	Anti UV technopolymer lens



**LIGHTING SOURCE for model GH1595.FGST300EN**

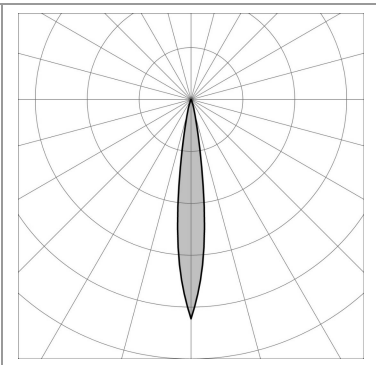
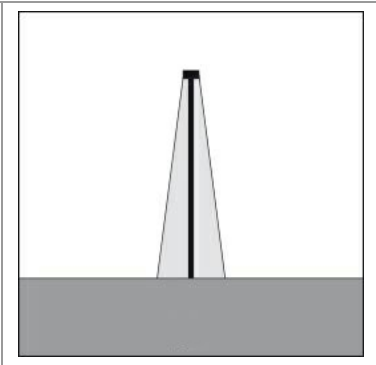
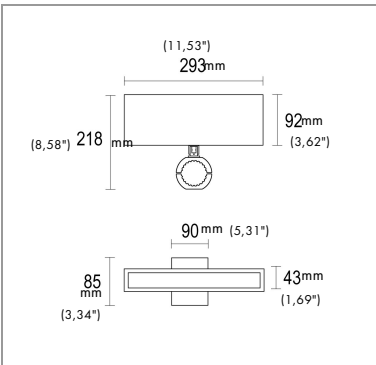
Light source	LED
Light source [W]	21 W
Nominal LED emission [Lm]	1964 lm
Color temperature	3000 K
Color rendering index	CRI>90
Binning	Step MacAdam 3
Life Time LED [t]	60.000h - L80 - B10
LED voltage range [V]	15V
Current	700 mA
Luminaire emission [lm]	1 x 1741
LED / Bulb	Included

**LIGHTING SOURCE for model GH1595.FGST400EN**

Light source	LED
Light source [W]	21 W
Nominal LED emission [Lm]	2180 lm
Color temperature	4000 K
Color rendering index	CRI>90
Binning	Step MacAdam 3
Life Time LED [t]	60.000h - L80 - B10
LED voltage range [V]	15V
Current	700 mA
Luminaire emission [lm]	1 x 1933
LED / Bulb	Included

**LIGHTING SOURCE for model GH1595.ECST300EN**

Light source	LED
Light source [W]	32 W
Nominal LED emission [Lm]	2946 lm
Color temperature	3000 K
Color rendering index	CRI>90
Binning	Step MacAdam 3
Life Time LED [t]	60.000h - L80 - B10
LED voltage range [V]	15V
Current	1050 mA
Luminaire emission [lm]	1 x 2612
LED / Bulb	Included





### FINISH CODE:

- .05 Dark Grey (matt)
- .19 Light Grey
- .01 White (matt)
- .02 Black (matt)
- .80 Sand
- .45 Corten

### ACCESSORIES:



IP 68 fast connector AC204



Edge wrap around pole bracket Ø 60mm AC430



Edge wrap around pole bracket Ø 60mm - Double AC431

