

H(m)	φ(m)	lux med. 3000 K	lux max. 3000 K
5	2.2	183	291
4	1.8	286	454
3	1.3	508	807
2	0.9	1142	1816
1	0.4	4568	7265

GH1595.FGMT300EN

H(m)	φ(m)	lux med. 4000 K	lux max. 4000 K
5	2.2	203	323
4	1.8	317	504
3	1.3	563	896
2	0.9	1268	2016
1	0.4	5071	8064

GH1595.FGMT400EN

H(m)	φ(m)	lux med. 4000 K	lux max. 4000 K
5	2.2	304	484
4	1.8	475	756
3	1.3	845	1344
2	0.9	1901	3024
1	0.4	7606	12097

GH1595.ECMT400EN

H(m)	φ(m)	lux med. 3000 K	lux max. 3000 K
5	2.2	274	436
4	1.8	428	681
3	1.3	761	1211
2	0.9	1713	2725
1	0.4	6852	10898

GH1595.ECMT300EN

CONSTRUCTIVE & DIMENSIONAL:

Application field:	Series of spot lights to be mounted on floor, wall, spike or on a pole system.
Construction material:	Extruded aluminum EN AW-6060 T5 high resistance to oxidation, Die-cast aluminum EN AB 44100 highly resistant to oxidation
External screws:	Stainless Steel A4
Gaskets:	Silicone gaskets
Length [mm]:	332mm(13,07")
Width [mm]:	43mm(1,69")
Height / Projection [mm]:	90mm(3,54")

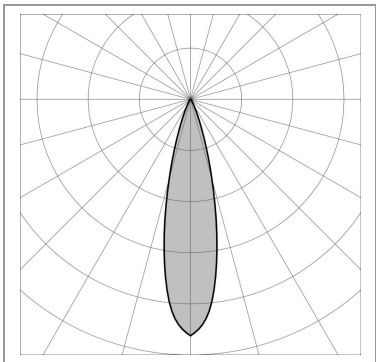
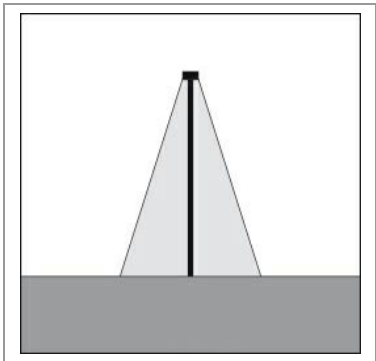
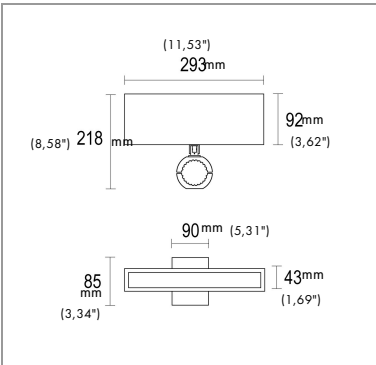
ELECTRICAL:

Description and Model Code:	GH1595.FGMT300EN 1 x 21 W LED 3000 K CRI>90 1 x 1964 lm
	GH1595.FGMT400EN 1 x 21 W LED 4000 K CRI>90 1 x 2180 lm
	GH1595.ECMT300EN 1 x 32 W LED 3000 K CRI>90 1 x 2946 lm
	GH1595.ECMT400EN 1 x 32 W LED 4000 K CRI>90 1 x 3270 lm
Operating Power:	110-277 V / 50-60 Hz
Number of heads:	1
Number of circuits:	1
Driver positioning:	Integral
Control gear type:	Electronic
Cable entry:	Brass cable gland M16 Ø 5/10 mm
Luminaire efficiency [lm/W]:	68.22 for model GH1595.FGMT300EN 75.72 for model GH1595.FGMT400EN 67.15 for model GH1595.ECMT300EN 74.54 for model GH1595.ECMT400EN
Fixture consumption:	23.86 W for model GH1595.FGMT300EN / GH1595.FGMT400EN 36.36 W for model GH1595.ECMT300EN / GH1595.ECMT400EN
Dimmer type:	Dimmable upon request
Daisy chain wiring:	External to the luminaire with IP68 connector available as an accessory
Emergency:	Not available
Ambient temperature operating range [°C]:	-20 °C ÷ +35 °C

OPTICAL:

Beam angle [°]	25°
Light distribution	Symmetrical medium flood (15° - 45°)
Beam directionality	Adjustable
Swivel [°]	+/- 90°
Rotation [°]	359°
Diffuser material	Sodium-calcium tempered glass 4mm
Diffuser finish	Transparent - extra clear
Diffuser temperature [°C]	< 40 °C / 104 °F
Optics	Anti UV technopolymer lens




LIGHTING SOURCE for model GH1595.FGMT300EN

Light source	LED
Light source [W]	21 W
Nominal LED emission [Lm]	1964 lm
Color temperature	3000 K
Color rendering index	CRI>90
Binning	Step MacAdam 3
Life Time LED [t]	60.000h - L80 - B10
LED voltage range [V]	15V
Current	700 mA
Luminaire emission [lm]	1 x 1628
LED / Bulb	Included

LIGHTING SOURCE for model GH1595.FGMT400EN

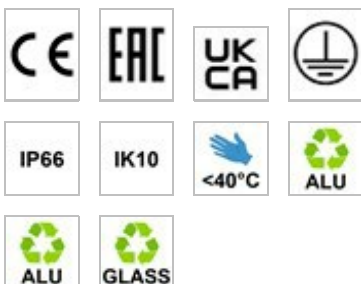
Light source	LED
Light source [W]	21 W
Nominal LED emission [Lm]	2180 lm
Color temperature	4000 K
Color rendering index	CRI>90
Binning	Step MacAdam 3
Life Time LED [t]	60.000h - L80 - B10
LED voltage range [V]	15V
Current	700 mA
Luminaire emission [lm]	1 x 1807
LED / Bulb	Included

LIGHTING SOURCE for model GH1595.ECMT300EN

Light source	LED
Light source [W]	32 W
Nominal LED emission [Lm]	2946 lm
Color temperature	3000 K
Color rendering index	CRI>90
Binning	Step MacAdam 3
Life Time LED [t]	60.000h - L80 - B10
LED voltage range [V]	15V
Current	1050 mA
Luminaire emission [lm]	1 x 2442
LED / Bulb	Included

LIGHTING SOURCE for model GH1595.ECMT400EN

Light source	LED
Light source [W]	32 W
Nominal LED emission [Lm]	3270 lm
Color temperature	4000 K
Color rendering index	CRI>90
Binning	Step MacAdam 3
Life Time LED [t]	60.000h - L80 - B10
LED voltage range [V]	15V
Current	1050 mA
Luminaire emission [lm]	1 x 2711
LED / Bulb	Included





FINISH CODE:

- .05 Dark Grey (matt)
- .19 Light Grey
- .01 White (matt)
- .02 Black (matt)
- .80 Sand
- .45 Corten

ACCESSORIES:



IP 68 fast connector
AC204



Edge wrap around pole
bracket Ø 60mm AC430



Edge wrap around pole
bracket Ø 60mm - Double
AC431

