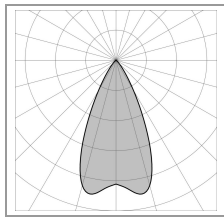
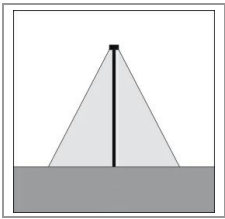
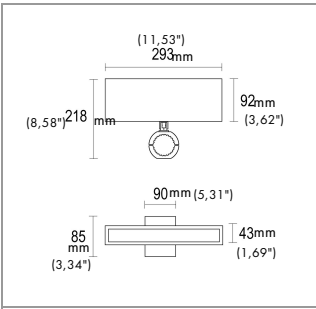


### CONSTRUCTIVE & DIMENSIONAL:



Application field:	Series of spot lights to be mounted on floor, wall, spike or on a pole system. Extruded aluminum EN AW-6060 T5 high resistance to oxidation, Die-cast aluminum EN AB 44100 highly resistant to oxidation
Construction material:	
External screws:	Stainless Steel A4
Gaskets:	Silicone gaskets
Length [mm]:	332mm(13,07")
Width [mm]:	43mm(1,69")
Height / Projection [mm]:	90mm(3,54")

### ELECTRICAL:

Description and Model Code:	GH1595.ECFT300EN	1 x 32 W LED 3000 K CRI>90	1 x 2946 lm
	GH1595.ECFT400EN	1 x 32 W LED 4000 K CRI>90	1 x 3270 lm
	GH1595.FGFT300EN	1 x 21 W LED 3000 K CRI>90	1 x 1964 lm
	GH1595.FGFT400EN	1 x 21 W LED 4000 K CRI>90	1 x 2180 lm
Operating Power:	110-277 V / 50-60 Hz		
Number of heads:	1		
Number of circuits:	1		
Driver positioning:	Integral		
Control gear type:	Electronic		
Cable entry:	Brass cable gland M16 Ø 5/10 mm		
Luminaire efficiency [lm/W]:	63.14 for model <b>GH1595.ECFT300EN</b> 70.09 for model <b>GH1595.ECFT400EN</b> 64.15 for model <b>GH1595.FGFT300EN</b> 71.2 for model <b>GH1595.FGFT400EN</b>		
Fixture consumption:	36.36 W for model <b>GH1595.ECFT300EN / GH1595.ECFT400EN</b> 23.86 W for model <b>GH1595.FGFT300EN / GH1595.FGFT400EN</b>		
Dimmer type:	Dimmable upon request		
Daisy chain wiring:	External to the luminaire with IP68 connector available as an accessory		
Emergency:	Not available		
Ambient temperature operating range [°C]:	-20 °C ÷ +35 °C		

### OPTICAL:

Beam angle [°]	50°
Light distribution	Symmetrical wide beam (45° - 125°)
Beam directionability	Adjustable
Swivel [°]	+/- 90°
Rotation [°]	359°
Diffuser material	Sodium-calcium tempered glass 4mm
Diffuser finish	Transparent - extra clear
Diffuser temperature [°C]	< 40 °C / 104 °F
Optics	Anti UV technopolymer lens

H(m)	φ(m)	lux med. 3000 K	lux max. 3000 K
5	4.6	81	127
4	3.7	127	199
3	2.7	226	353
2	1.8	508	795
1	0.9	2033	3179

H(m)	φ(m)	lux med. 4000 K	lux max. 4000 K
5	4.6	90	141
4	3.7	141	221
3	2.7	251	392
2	1.8	564	882
1	0.9	2256	3528

GH1595.ECFT300EN

GH1595.ECFT400EN

H(m)	φ(m)	lux med. 3000 K	lux max. 3000 K
5	4.6	54	85
4	3.7	85	132
3	2.7	151	235
2	1.8	339	530
1	0.9	1355	2119

H(m)	φ(m)	lux med. 4000 K	lux max. 4000 K
5	4.6	60	94
4	3.7	94	147
3	2.7	167	261
2	1.8	376	588
1	0.9	1504	2352

GH1595.FGFT300EN

GH1595.FGFT400EN



**LIGHTING SOURCE for model GH1595.ECFT300EN**

Light source	LED
Light source [W]	32 W
Nominal LED emission [Lm]	2946 lm
Color temperature	3000 K
Color rendering index	CRI>90
Binning	Step MacAdam 3
Life Time LED [t]	60.000h - L80 - B10
LED voltage range [V]	15V
Current	1050 mA
Luminaire emission [lm]	1 x 2296
LED / Bulb	Included

**LIGHTING SOURCE for model GH1595.ECFT400EN**

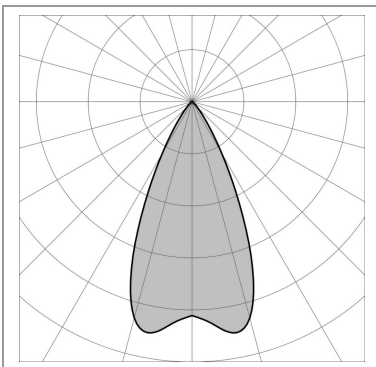
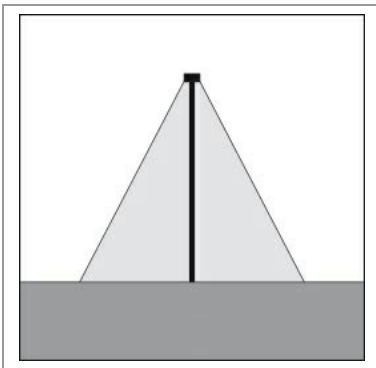
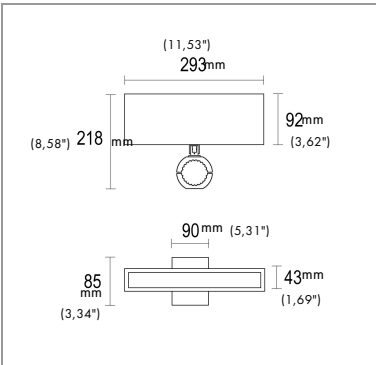
Light source	LED
Light source [W]	32 W
Nominal LED emission [Lm]	3270 lm
Color temperature	4000 K
Color rendering index	CRI>90
Binning	Step MacAdam 3
Life Time LED [t]	60.000h - L80 - B10
LED voltage range [V]	15V
Current	1050 mA
Luminaire emission [lm]	1 x 2549
LED / Bulb	Included

**LIGHTING SOURCE for model GH1595.FGFT300EN**

Light source	LED
Light source [W]	21 W
Nominal LED emission [Lm]	1964 lm
Color temperature	3000 K
Color rendering index	CRI>90
Binning	Step MacAdam 3
Life Time LED [t]	60.000h - L80 - B10
LED voltage range [V]	15V
Current	700 mA
Luminaire emission [lm]	1 x 1531
LED / Bulb	Included

**LIGHTING SOURCE for model GH1595.FGFT400EN**

Light source	LED
Light source [W]	21 W
Nominal LED emission [Lm]	2180 lm
Color temperature	4000 K
Color rendering index	CRI>90
Binning	Step MacAdam 3
Life Time LED [t]	60.000h - L80 - B10
LED voltage range [V]	15V
Current	700 mA
Luminaire emission [lm]	1 x 1699
LED / Bulb	Included





### FINISH CODE:

- .05 Dark Grey (matt)
- .19 Light Grey
- .01 White (matt)
- .02 Black (matt)
- .80 Sand
- .45 Corten

### ACCESSORIES:



IP 68 fast connector AC204



Edge wrap around pole bracket Ø 60mm AC430



Edge wrap around pole bracket Ø 60mm - Double AC431

