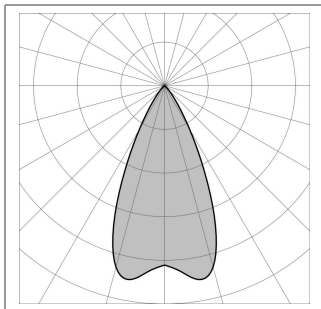
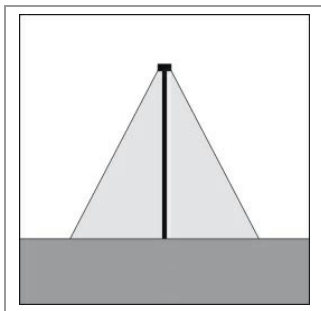
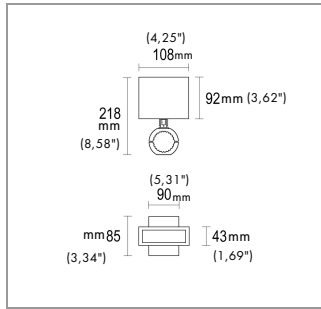
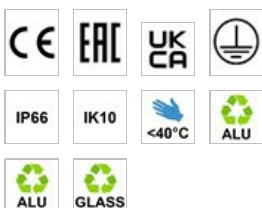


**CONSTRUCTIVE & DIMENSIONAL:**


H(m)	φ (m)	lux med. 3000 K	lux max. 3000 K
5	4.6	16	25
4	3.7	25	40
3	2.7	45	70
2	1.8	101	159
1	0.9	406	634



Application field:	Series of spot lights to be mounted on floor, wall, spike or on a pole system.
Construction material:	Extruded aluminum EN AW-6060 T5 high resistance to oxidation, Die-cast aluminum EN AB 44100 highly resistant to oxidation
External screws:	Stainless Steel A4
Gaskets:	Silicone gaskets
Length [mm]:	107mm(4,21")
Width [mm]:	43mm(1,69")
Height / Projection [mm]:	90mm(3,54")

**ELECTRICAL:**

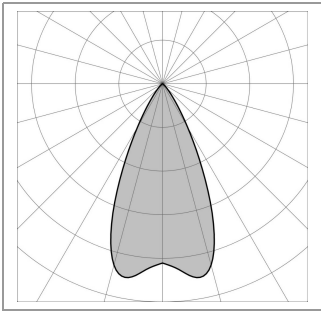
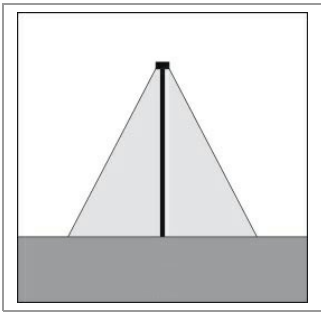
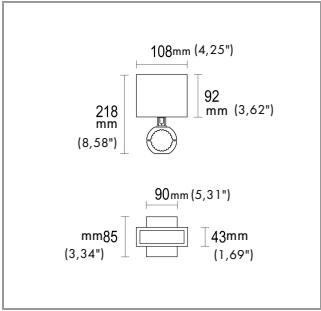
Description and Model Code:	GH1593.AHFT300EN	1 x 6.3 W LED 3000 K CRI>90	1 x 588 lm
Operating Power:	110-277 V / 50-60 Hz		
Number of heads:	1		
Number of circuits:	1		
Driver positioning:	Integral		
Luminaire efficiency [lm/W]:	61.83		
Fixture consumption:	7.41 W		
Control gear type:	Electronic		
Dimmer type:	Dimmable upon request		
Cable entry:	Brass cable gland M16 Ø 5/10 mm		
Daisy chain wiring:	External to the luminaire with IP68 connector available as an accessory		
Cable type:	H05RN-F 3x1mm2		
Cord length [m]:	0.5		
Emergency:	Not available		
Ambient temperature operating range [°C]:	-20 °C ÷ +35 °C		

**OPTICAL:**

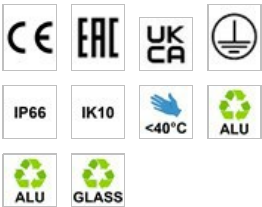
Beam angle [°]	50°
Light distribution	Symmetrical wide beam (45° - 125°)
Beam directionability	Adjustable
Swivel [°]	+/- 90°
Rotation [°]	359°
Diffuser material	Sodium-calcium tempered glass 4mm
Diffuser finish	Transparent - extra clear
Diffuser temperature [°C]	< 40 °C / 104 °F
Optics	Anti UV technopolymer lens

**LIGHTING SOURCE for model GH1593.AHFT300EN**

Light source	LED
Light source [W]	6.3 W
Nominal LED emission [Lm]	588 lm
Color temperature	3000 K
Color rendering index	CRI>90
Binning	Step MacAdam 3
Life Time LED [t]	60.000h - L80 - B10
LED voltage range [V]	9V
Current	700 mA
Luminaire emission [lm]	1 x 458
LED / Bulb	Included



H(m)	φ (m)	lux med. 3000 K	lux max. 3000 K
5	4.6	16	25
4	3.7	25	40
3	2.7	45	70
2	1.8	101	159
1	0.9	406	634



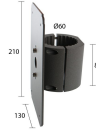
### FINISH CODE:

- .05 Dark Grey (matt)
- .19 Light Grey
- .01 White (matt)
- .02 Black (matt)
- .80 Sand
- .45 Corten

### ACCESSORIES:



IP 68 fast connector AC204

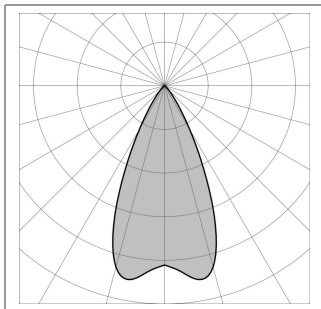
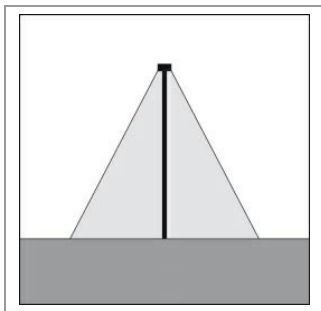
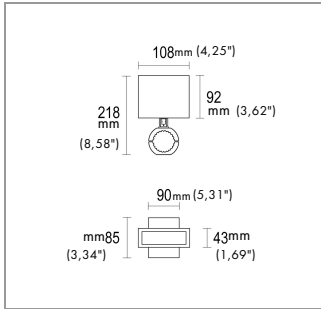


Edge wrap around pole bracket Ø 60mm AC430

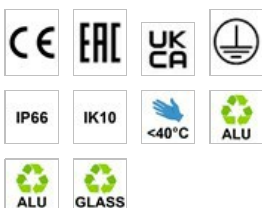


Edge wrap around pole bracket Ø 60mm - Double AC431



**CONSTRUCTIVE & DIMENSIONAL:**


H(m)	φ (m)	lux med. 4000 K		lux max. 4000 K	
		4000 K	4000 K	4000 K	4000 K
5	4.6	18	28		
4	3.7	28	44		
3	2.7	50	78		
2	1.8	113	176		
1	0.9	451	706		



Application field:	Series of spot lights to be mounted on floor, wall, spike or on a pole system.
Construction material:	Extruded aluminum EN AW-6060 T5 high resistance to oxidation, Die-cast aluminum EN AB 44100 highly resistant to oxidation
External screws:	Stainless Steel A4
Gaskets:	Silicone gaskets
Length [mm]:	107mm(4,21")
Width [mm]:	43mm(1,69")
Height / Projection [mm]:	90mm(3,54")

**ELECTRICAL:**

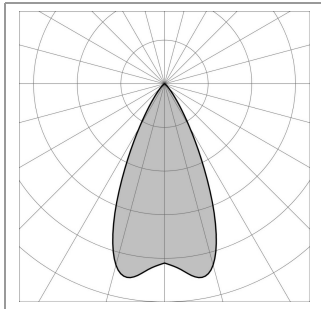
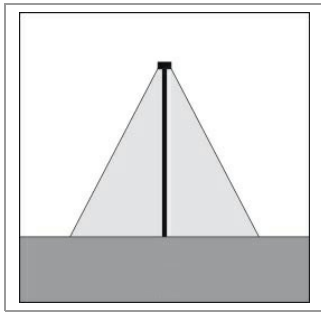
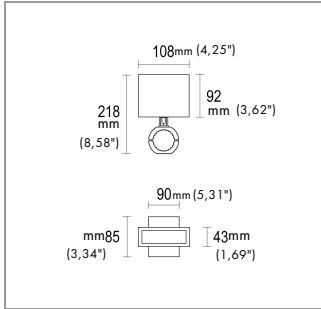
Description and Model Code:	GH1593.AHFT400EN	1 x 6.3 W LED 4000 K CRI>90	1 x 654 lm
Operating Power:	110-277 V / 50-60 Hz		
Number of heads:	1		
Number of circuits:	1		
Driver positioning:	Integral		
Luminaire efficiency [lm/W]:	68.77		
Fixture consumption:	7.41 W		
Control gear type:	Electronic		
Dimmer type:	Dimmable upon request		
Cable entry:	Brass cable gland M16 Ø 5/10 mm		
Daisy chain wiring:	External to the luminaire with IP68 connector available as an accessory		
Cable type:	H05RN-F 3x1mm2		
Cord length [m]:	0.5		
Emergency:	Not available		
Ambient temperature operating range [°C]:	-20 °C ÷ +35 °C		

**OPTICAL:**

Beam angle [°]	50°
Light distribution	Symmetrical wide beam (45° - 125°)
Beam directionability	Adjustable
Swivel [°]	+/- 90°
Rotation [°]	359°
Diffuser material	Sodium-calcium tempered glass 4mm
Diffuser finish	Transparent - extra clear
Diffuser temperature [°C]	< 40 °C / 104 °F
Optics	Anti UV technopolymer lens

**LIGHTING SOURCE for model GH1593.AHFT400EN**

Light source	LED
Light source [W]	6.3 W
Nominal LED emission [Lm]	654 lm
Color temperature	4000 K
Color rendering index	CR>90
Binning	Step MacAdam 3
Life Time LED [t]	60.000h - L80 - B10
LED voltage range [V]	9V
Current	700 mA
Luminaire emission [lm]	1 x 510
LED / Bulb	Included



H(m)	φ(m)	lux med. 4000 K	lux max. 4000 K
5	4.6	18	28
4	3.7	28	44
3	2.7	50	78
2	1.8	113	176
1	0.9	451	706

### FINISH CODE:

- .05 Dark Grey (matt)
- .19 Light Grey
- .01 White (matt)
- .02 Black (matt)
- .80 Sand
- .45 Corten

### ACCESSORIES:



IP 68 fast connector  
AC204



Edge wrap around pole  
bracket Ø 60mm AC430



Edge wrap around pole  
bracket Ø 60mm - Double  
AC431

