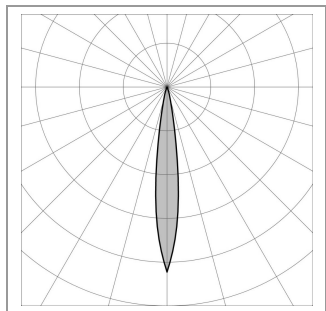
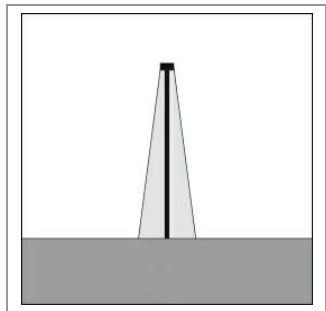
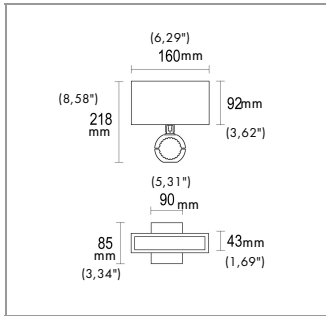


CONSTRUCTIVE & DIMENSIONAL:


H(m)	φ(m)	lux med. 3000 K	lux max. 3000 K
5	1.2	259	415
4	1.0	404	648
3	0.7	719	1153
2	0.5	1618	2593
1	0.2	6471	10373



Application field:	Series of spot lights to be mounted on floor, wall, spike or on a pole system.
Construction material:	Extruded aluminum EN AW-6060 T5 high resistance to oxidation, Die-cast aluminum EN AB 44 100 highly resistant to oxidation.
External screws:	Stainless Steel A4
Gaskets:	Silicone gaskets
Length [mm]:	160mm(6,29")
Width [mm]:	43mm(1,69")
Height / Projection [mm]:	90mm(3,54")

ELECTRICAL:

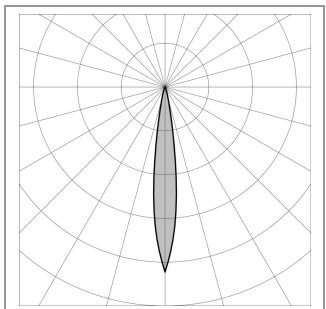
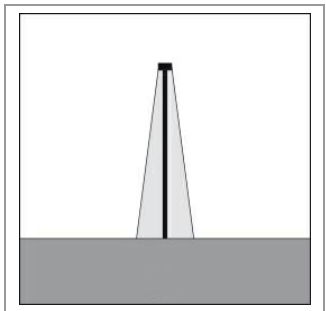
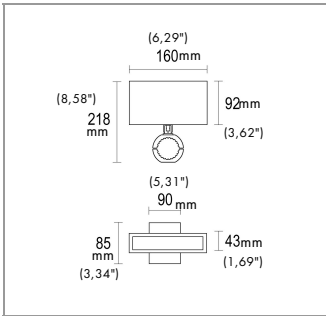
Description and Model Code:	GH1594.CAST300EN 1 x 10.5 W LED 3000 K CRI>90 1 x 982 lm
Operating Power:	110-277 V / 50-60 Hz
Number of heads:	1
Number of circuits:	1
Driver positioning:	Integral
Luminaire efficiency [lm/W]:	70.49
Fixture consumption:	12.35 W
Control gear type:	Electronic
Dimmer type:	Dimmable upon request
Cable entry:	Brass cable gland M16 Ø 5/10 mm
Daisy chain wiring:	External to the luminaire with IP68 connector available as an accessory
Cable type:	H05RN-F 3x1mm2
Cord length [m]:	0.5
Emergency:	Not available
Ambient temperature operating range [°C]:	-20 °C ÷ +35 °C

OPTICAL:

Beam angle: [°]	12°
Light distribution:	Symmetrical narrow beam (<=15°)
Beam directionability:	Adjustable
Swivel: [°]	+/- 90°
Rotation: [°]	359°
Diffuser material:	Sodium-calcium tempered glass 4mm
Diffuser finish:	Transparent - extra clear
Diffuser temperature: [°C]	< 40 °C / 104 °F
Optics:	Anti UV technopolymer lens

LIGHTING SOURCE for model GH1594.CAST300EN

Light source:	LED
Light source: [W]	10.5 W
Nominal LED emission: [Lm]	982 lm
Color temperature:	3000 K
Color rendering index:	CRI>90
Binning:	Step MacAdam 3
Life Time LED: [t]	60.000h - L80 - B10
LED voltage range: [V]	15V
Coourrent:	700 mA
Luminaire emission :[lm]	1 x 871
LED / Bulb:	Included



H(m)	φ(m)	lux med. 3000 K	lux max. 3000 K
5	1.2	259	415
4	1.0	404	648
3	0.7	719	1153
2	0.5	1618	2593
1	0.2	6471	10373

FINISH CODE:

- .05 Dark Grey (matt)
- .19 Light Grey
- .01 White (matt)
- .02 Black (matt)
- .80 Sand
- .45 Corten

ACCESSORIES:



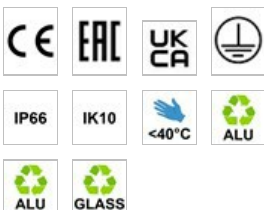
IP 68 fast connector
AC204

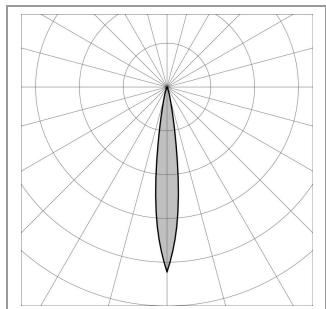
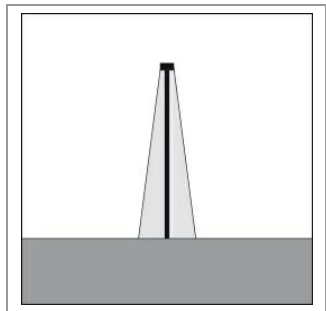
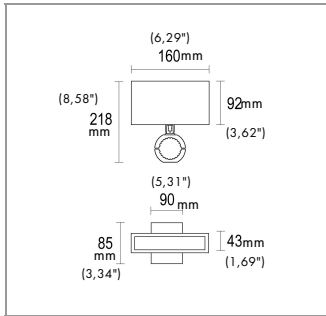


Edge wrap around pole
bracket Ø 60mm AC430



Edge wrap around pole
bracket Ø 60mm - Double
AC431





H(m)	φ(m)	lux med. 4000 K	lux max. 4000 K
5	1.2	287	461
4	1.0	449	720
3	0.7	798	1279
2	0.5	1796	2879
1	0.2	7182	11514


CONSTRUCTIVE & DIMENSIONAL:

Application field:	Series of spot lights to be mounted on floor, wall, spike or on a pole system.
Construction material:	Extruded aluminum EN AW-6060 T5 high resistance to oxidation, Die-cast aluminum EN AB 44100 highly resistant to oxidation
External screws:	Stainless Steel A4
Gaskets:	Silicone gaskets
Length [mm]:	160mm(6,29")
Width [mm]:	43mm(1,69")
Height / Projection [mm]:	90mm(3,54")

ELECTRICAL:

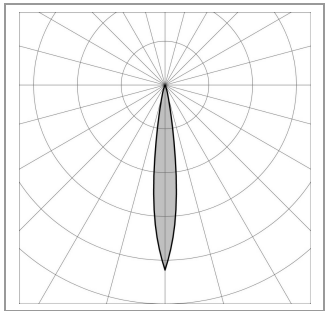
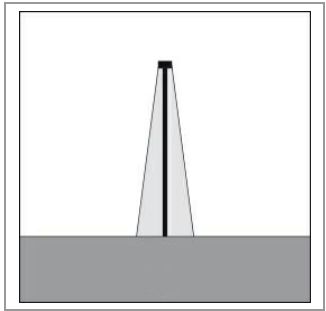
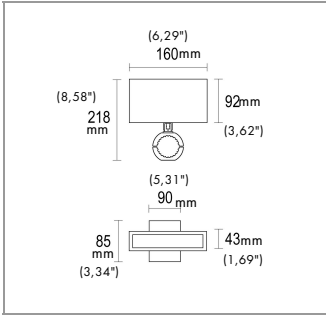
Description and Model Code:	GH1594.CAST400EN 1 x 10.5 W LED 4000 K CRI>90 1 x 1090 lm
Operating Power:	110-277 V / 50-60 Hz
Number of heads:	1
Number of circuits:	1
Driver positioning:	Integral
Luminaire efficiency [lm/W]:	78.24
Fixture consumption:	12.35 W
Control gear type:	Electronic
Dimmer type:	Dimmable upon request
Cable entry:	Brass cable gland M16 Ø 5/10 mm
Daisy chain wiring:	External to the luminaire with IP68 connector available as an accessory
Cable type:	H05RN-F 3x1mm2
Cord length [m]:	0.5
Emergency:	Not available
Ambient temperature operating range [°C]:	-20 °C ÷ +35 °C

OPTICAL:

Beam angle: [°]	12°
Light distribution:	Symmetrical narrow beam (<=15°)
Beam directionability:	Adjustable
Swivel: [°]	+/- 90°
Rotation: [°]	359°
Diffuser material:	Sodium-calcium tempered glass 4mm
Diffuser finish:	Transparent - extra clear
Diffuser temperature: [°C]	< 40 °C / 104 °F
Optics:	Anti UV technopolymer lens

LIGHTING SOURCE for model GH1594.CAST400EN

Light source:	LED
Light source: [W]	10.5 W
Nominal LED emission: [Lm]	1090 lm
Color temperature:	4000 K
Color rendering index:	CRI>90
Binning:	Step MacAdam 3
Life Time: LED [t]	60.000h - L80 - B10
LED voltage range: [V]	15V
Current:	700 mA
Luminaire emission: [lm]	1 x 967
LED / Bulb:	Included



H(m)	φ(m)	lux med. 4000 K	lux max. 4000 K
5	1.2	287	461
4	1.0	449	720
3	0.7	798	1279
2	0.5	1796	2879
1	0.2	7182	11514

FINISH CODE:

- .05 Dark Grey (matt)
- .19 Light Grey
- .01 White (matt)
- .02 Black (matt)
- .80 Sand
- .45 Corten

ACCESSORIES:



IP 68 fast connector AC204



Edge wrap around pole bracket Ø 60mm AC430



Edge wrap around pole bracket Ø 60mm - Double AC431

