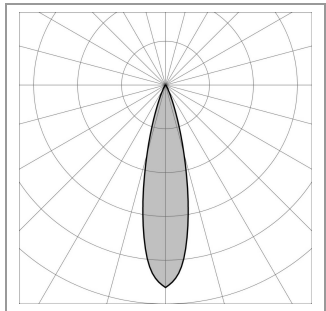
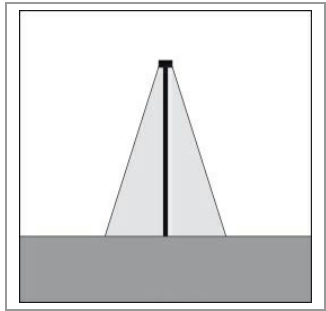
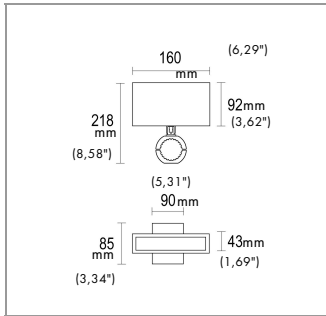
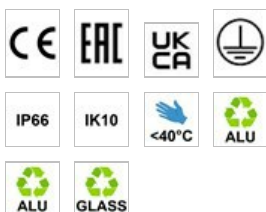


CONSTRUCTIVE & DIMENSIONAL:


H(m)	φ(m)	lux med. 3000 K	lux max. 3000 K
5	2.2	91	145
4	1.8	143	227
3	1.3	254	404
2	0.9	571	908
1	0.4	2284	3633



Application field:	Series of spot lights to be mounted on floor, wall, spike or on a pole system.
Construction material:	Extruded aluminum EN AW-6060 T5 high resistance to oxidation, Die-cast aluminum EN AB 44 100 highly resistant to oxidation.
External screws:	Stainless Steel A4
Gaskets:	Silicone gaskets
Length [mm]:	160mm(6,29")
Width [mm]:	43mm(1,69")
Height / Projection [mm]:	90mm(3,54")

ELECTRICAL:

Description and Model Code:	GH1594.CAMT300EN	1 x 10.5 W LED 3000 K CRI>90	1 x 982 lm
Operating Power:	110-277 V / 50-60 Hz		
Number of heads:	1		
Number of circuits:	1		
Driver positioning:	Integral		
Luminaire efficiency [lm/W]:	65.89		
Fixture consumption:	12.35 W		
Control gear type:	Electronic		
Dimmer type:	Dimmable upon request		
Cable entry:	Brass cable gland M16 Ø 5/10 mm		
Daisy chain wiring:	External to the luminaire with IP68 connector available as an accessory		
Cable type:	H05RN-F 3x1mm2		
Cord length [m]:	0.5		
Emergency:	Not available		
Ambient temperature operating range [°C]:	-20 °C ÷ +35 °C		

OPTICAL:

Beam angle [°]	25°
Light distribution	Symmetrical medium flood (15° - 45°)
Beam directionability	Adjustable
Swivel [°]	+/- 90°
Rotation [°]	359°
Diffuser material	Sodium-calcium tempered glass 4mm
Diffuser finish	Transparent - extra clear
Diffuser temperature [°C]	< 40 °C / 104 °F
Optics	Anti UV technopolymer lens

LIGHTING SOURCE for model GH1594.CAMT300EN

Light source	LED
Light source [W]	10.5 W
Nominal LED emission [Lm]	982 lm
Color temperature	3000 K
Color rendering index	CRI>90
Binning	Step MacAdam 3
Life Time LED [t]	60.000h - L80 - B10
LED voltage range [V]	15V
Current	700 mA
Luminaire emission [lm]	1 x 814
LED / Bulb	Included



FINISH CODE:

- .05 Dark Grey (matt)
- .19 Light Grey
- .01 White (matt)
- .02 Black (matt)
- .80 Sand
- .45 Corten

ACCESSORIES:



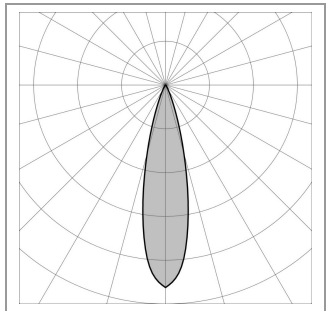
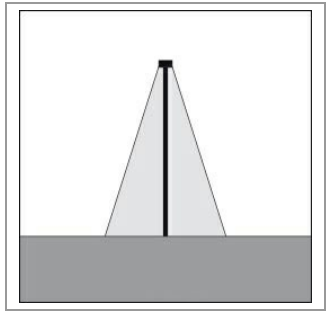
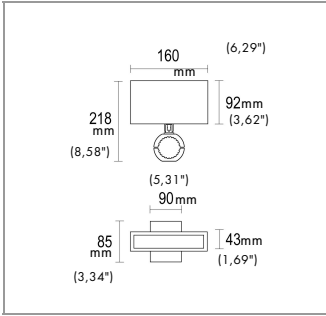
IP 68 fast connector
AC204



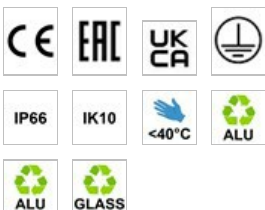
Edge wrap around pole
bracket Ø 60mm AC430

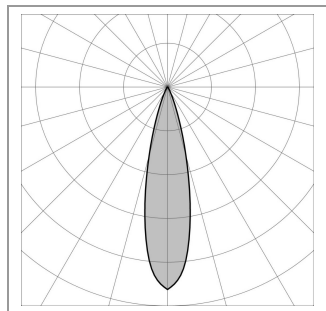
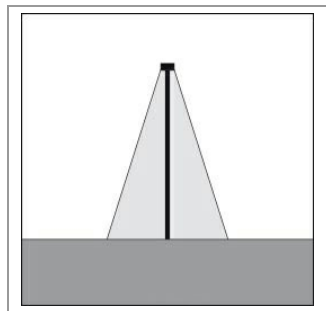
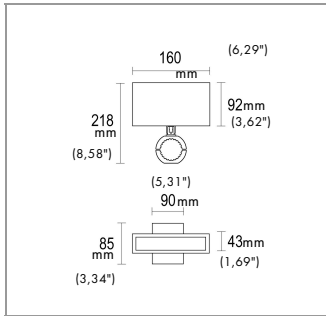


Edge wrap around pole
bracket Ø 60mm - Double
AC431

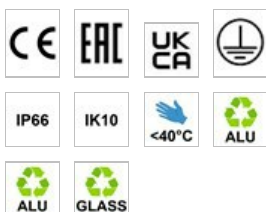


H(m)	φ (m)	lux med. 3000 K	lux max. 3000 K
5	2.2	91	145
4	1.8	143	227
3	1.3	254	404
2	0.9	571	908
1	0.4	2284	3633





H(m)	φ(m)	lux med. 4000 K	lux max. 4000 K
5	2.2	101	161
4	1.8	158	252
3	1.3	282	448
2	0.9	634	1008
1	0.4	2535	4032


CONSTRUCTIVE & DIMENSIONAL:

Application field:	lighting facades, small, medium trees, bushes, statues, columns and other architectural elements in general thanks to a wide range of optics
Construction material:	Extruded aluminum EN AW-6060 T5 high resistance to oxidation, Die-cast aluminum EN AB 44100 highly resistant to oxidation
External screws:	Stainless Steel A4
Gaskets:	Silicone gaskets
Length [mm]:	160mm(6,29")
Width [mm]:	43mm(1,69")
Height / Projection [mm]:	90mm(3,54")

ELECTRICAL:

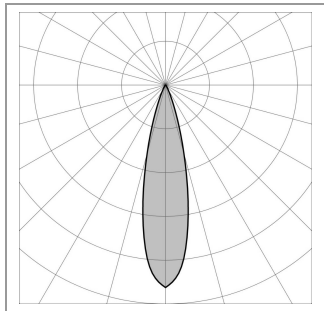
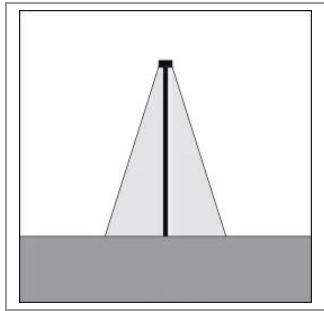
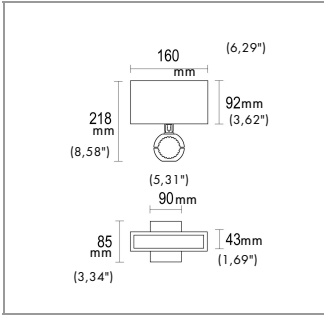
Description and Model Code:	GH1594.CAMT400EN 1 x 10.5 W LED 4000 K CRI>90 1 x 1090 lm
Operating Power:	110-277 V / 50-60 Hz
Number of heads:	1
Number of circuits:	1
Driver positioning:	Integral
Luminaire efficiency [lm/W]:	73.14
Fixture consumption:	12.35 W
Control gear type:	Electronic
Dimmer type:	Dimmable upon request
Cable entry:	Nylon cable gland M16 Ø 5/10 mm
Daisy chain wiring:	External to the luminaire with IP68 connector available as an accessory
Cable type:	H05RN-F 3x1mm2
Cord length [m]:	0.5
Emergency:	Not available
Ambient temperature operating range [°C]:	-20 °C ÷ +35 °C

OPTICAL:

Beam angle [°]	25°
Light distribution	Symmetrical medium flood (15° - 45°)
Beam directionability	Adjustable
Swivel [°]	+/- 90°
Rotation [°]	359°
Diffuser material	Sodium-calcium tempered glass 4mm
Diffuser finish	Transparent - extra clear
Diffuser temperature [°C]	< 40 °C / 104 °F
Optics	Anti UV technopolymer lens

LIGHTING SOURCE for model GH1594.CAMT400EN

Light source	LED
Light source [W]	10.5 W
Nominal LED emission [Lm]	1090 lm
Color temperature	4000 K
Color rendering index	CRI>90
Binning	Step MacAdam 3
Life Time LED [t]	60.000h - L80 - B10
LED voltage range [V]	15V
Current	700 mA
Luminaire emission [lm]	1 x 904
LED / Bulb	Included



H(m)	φ(m)	lux med. 4000 K	lux max. 4000 K
5	2.2	101	161
4	1.8	158	252
3	1.3	282	448
2	0.9	634	1008
1	0.4	2535	4032

FINISH CODE:

- .05 Dark Grey (matt)
- .19 Light Grey
- .01 White (matt)
- .02 Black (matt)
- .80 Sand
- .45 Corten

ACCESSORIES:



IP 68 fast connector
AC204



Edge wrap around pole
bracket Ø 60mm AC430



Edge wrap around pole
bracket Ø 60mm - Double
AC431

