

H(m)	φ (m)	lux med. 3000 K	lux max. 3000 K
5	1.2	268	443
4	1.0	419	692
3	0.7	744	1230
2	0.5	1675	2767
1	0.2	6700	11066

GH1133.LRST300EN
1133.DGS.T

H(m)	φ (m)	lux med. 4000 K	lux max. 4000 K
5	1.2	272	449
4	1.0	425	702
3	0.7	756	1248
2	0.5	1700	2809
1	0.2	6802	11235

GH1133.LRST400EN
1133.DHS.T

H(m)	φ (m)	lux med. 3000 K	lux max. 3000 K
5	1.2	456	754
4	1.0	713	1178
3	0.7	1268	2094
2	0.5	2853	4712
1	0.2	11410	18847

GH1133.FNST300EN
1133.FNS.T

H(m)	φ (m)	lux med. 4000 K	lux max. 4000 K
5	1.2	463	765
4	1.0	724	1196
3	0.7	1287	2126
2	0.5	2896	4784
1	0.2	11584	19134

GH1133.FNST400EN
1133.FPS.T



CONSTRUCTIVE DIMENSIONAL:

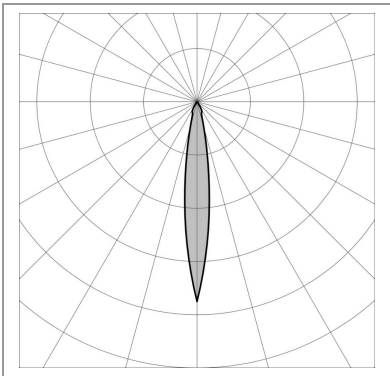
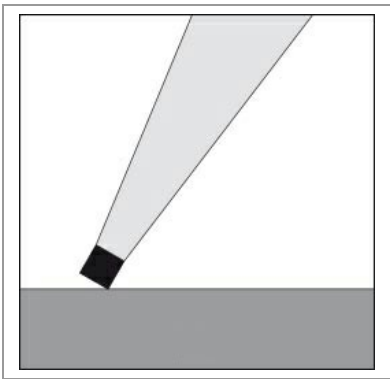
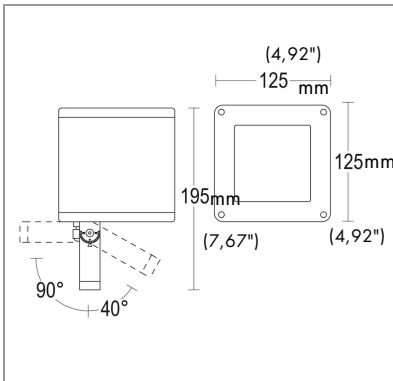
Application field:	Series of spot lights to be mounted on floor, wall, spike, tree with belt or on a pole system
Construction material:	Extruded aluminum EN AW-6060 T5 high resistance to oxidation, Die-cast aluminum EN AB 44100 highly resistant to oxidation
External screws:	Stainless steel A4-70 treated with highly antioxidant water-repellent lubricating solution
Gaskets:	Silicone gaskets
Length [mm]:	125mm(4,92")
Width [mm]:	125mm(4,92")
Height / Projection [mm]:	195mm(7,67")

ELECTRICAL:

Description and Model Code:	GH1133.LRST300EN 1133.DGS.T	1 x 16 W LED 3000 K CRI>90	1 x 1967 lm
	GH1133.LRST400EN 1133.DHS.T	1 x 16 W LED 4000 K CRI>90	1 x 1997 lm
	GH1133.FNST300EN 1133.FNS.T	1 x 29 W LED 3000 K CRI>90	1 x 3350 lm
	GH1133.FNST400EN 1133.FPS.T	1 x 29 W LED 4000 K CRI>90	1 x 3401 lm
Operating Power:	110-277 V / 50-60 Hz		
Number of heads:	1		
Number of circuits:	1		
Driver positioning:	Integral		
Control gear type:	Electronic		
Cable entry:	Brass cable gland M16 Ø 5/10 mm		
Luminaire efficiency [lm/W]:	76.84 for model GH1133.LRST300EN 1133.DGS.T 78.01 for model GH1133.LRST400EN 1133.DHS.T 74.75 for model GH1133.FNST300EN 1133.FNS.T 75.88 for model GH1133.FNST400EN 1133.FPS.T		
Fixture consumption:	18.82 W for model GH1133.LRST300EN 1133.DGS.T 18.82 W for model GH1133.LRST400EN 1133.DHS.T 32.95 W for model GH1133.FNST300EN 1133.FNS.T 32.95 W for model GH1133.FNST400EN 1133.FPS.T		
Dimmer type:	Dimmable upon request		
Daisy chain wiring:	External to the luminaire with IP68 connector available as an accessory		
Emergency:	Not available		
Cable type:	H07RN8-F 3x1 mm2		
Cord length [m]:	0.5		
Ambient temperature operating range [°C]:	-20 °C ÷ +35 °C		

OPTICAL:

Beam angle [°]	14°
Light distribution	Symmetrical narrow beam (15°)
Beam directionability	Adjustable
Swivel [°]	40° - 90°
Diffuser material	Sodium-calcium tempered glass 4mm
Diffuser finish	Transparent - extra clear
Optics	Aluminum reflector with super pure aluminum metallization



LIGHTING SOURCE for model GH1133.LRST300EN 1133.DGS.T

Light source	LED
Type of bulb or LED	COB
Light source [W]	16 W
Nominal LED emission [Lm]	1967 lm
Color temperature	3000 K
Color rendering index	CRI>90
Binning	Step MacAdam 3
Life Time LED [t]	100.000h - L80 - B10
LED voltage range [V]	31.2-36.8V
Courrent	450 mA
Luminaire emission [lm]	1 x 1446
LED / Bulb	Included

LIGHTING SOURCE for model GH1133.LRST400EN 1133.DHS.T

Light source	LED
Type of bulb or LED	COB
Light source [W]	16 W
Nominal LED emission [Lm]	1997 lm
Color temperature	4000 K
Color rendering index	CRI>90
Binning	Step MacAdam 3
Life Time LED [t]	100.000h - L80 - B10
LED voltage range [V]	31.2-36.8V
Courrent	450 mA
Luminaire emission [lm]	1 x 1468
LED / Bulb	Included

LIGHTING SOURCE for model GH1133.FNST300EN 1133.FNS.T

Light source	LED
Type of bulb or LED	COB
Light source [W]	29 W
Nominal LED emission [Lm]	3350 lm
Color temperature	3000 K
Color rendering index	CRI>90
Binning	Step MacAdam 3
Life Time LED [t]	100.000h - L80 - B10
LED voltage range [V]	31.2-36.8V
Courrent	800 mA
Luminaire emission [lm]	1 x 2463
LED / Bulb	Included

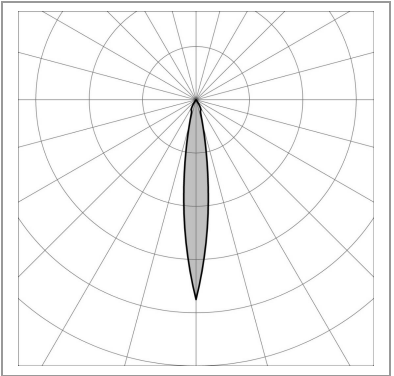
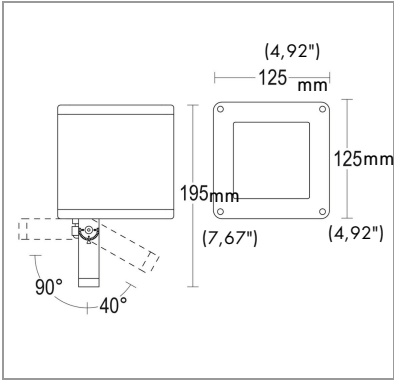
LIGHTING SOURCE for model GH1133.FNST400EN 1133.FPS.T

Light source	LED
Type of bulb or LED	COB
Light source [W]	29 W
Nominal LED emission [Lm]	3401 lm
Color temperature	4000 K
Color rendering index	CRI>90
Binning	Step MacAdam 3
Life Time LED [t]	100.000h - L80 - B10
LED voltage range [V]	31.2-36.8V
Courrent	800 mA
Luminaire emission [lm]	1 x 2501
LED / Bulb	Included





FARO SPOT 125 14°



FINISH CODE:

- .05 Dark Grey (matt)
- .19 Light Grey
- .80 Sand
- .01 White (matt)
- .02 Black (matt)
- .45 Corten

ACCESSORIES:

