

H(m)	φ (m)	lux med. 3000 K	lux max. 3000 K
5	2.0	150	238
4	1.6	234	371
3	1.2	416	660
2	0.8	935	1486
1	0.4	3741	5942

GH1133.LRMT300EN  
1133.DGM.T

H(m)	φ (m)	lux med. 4000 K	lux max. 4000 K
5	2.0	152	241
4	1.6	237	377
3	1.2	422	670
2	0.8	949	1508
1	0.4	3798	6033

GH1133.LRMT400EN  
1133.DHM.T

H(m)	φ (m)	lux med. 3000 K	lux max. 3000 K
5	2.0	255	405
4	1.6	398	633
3	1.2	708	1124
2	0.8	1593	2530
1	0.4	6371	10120

GH1133.FNMT300EN  
1133.FNM.T

H(m)	φ (m)	lux med. 4000 K	lux max. 4000 K
5	2.0	259	411
4	1.6	404	642
3	1.2	719	1142
2	0.8	1617	2569
1	0.4	6468	10274

GH1133.FNMT400EN  
1133.FPM.T



## CONSTRUCTIVE & DIMENSIONAL:

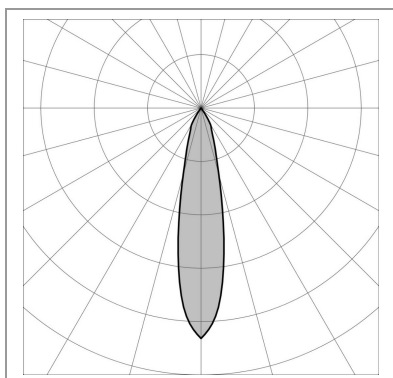
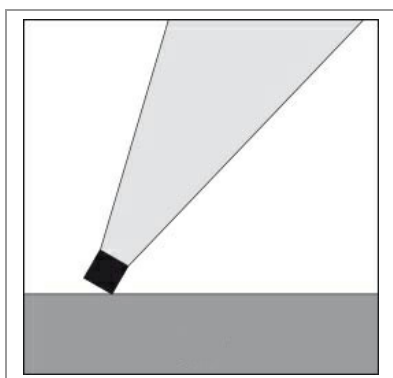
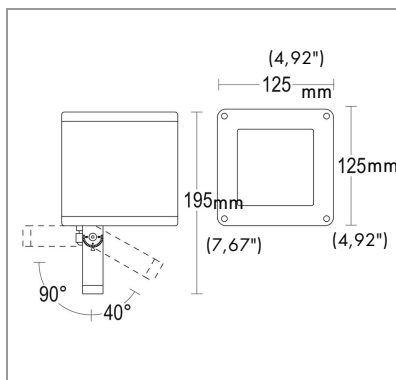
Application field:	Series of spot lights to be mounted on floor, wall, spike, tree with belt or on a pole system
Construction material:	Extruded aluminum EN AW-6060 T5 high resistance to oxidation, Die-cast aluminum EN AB 44100 highly resistant to oxidation
External screws:	Stainless steel A4-70 treated with highly antioxidant water-repellent lubricating solution
Gaskets:	Silicone gaskets
Length [mm]:	125mm(4,92")
Width [mm]:	125mm(4,92")
Height / Projection [mm]:	195mm(7,67")

## ELECTRICAL:

Description and Model Code:	GH1133.LRMT300EN 1 x 16 W LED 3000 K CRI>90 1 x 1967 lm 1133.DGM.T
	GH1133.LRMT400EN 1 x 16 W LED 4000 K CRI>90 1 x 1997 lm 1133.DHM.T
	GH1133.FNMT300EN 1 x 29 W LED 3000 K CRI>90 1 x 3350 lm 1133.FNM.T
	GH1133.FNMT400EN 1 x 29 W LED 4000 K CRI>90 1 x 3401 lm 1133.FPM.T
Operating Power:	110-277 V / 50-60 Hz
Number of heads:	1
Number of circuits:	1
Driver positioning:	Integral
Control gear type:	Electronic
Cable entry:	Brass cable gland M16 Ø 5/10 mm
Luminaire efficiency [lm/W]:	75.11 for model GH1133.LRMT300EN 1133.DGM.T 76.26 for model GH1133.LRMT400EN 1133.DHM.T 73.07 for model GH1133.FNMT300EN 1133.FNM.T 74.18 for model GH1133.FNMT400EN 1133.FPM.T
Fixture consumption:	18.82 W for model GH1133.LRMT300EN 1133.DGM.T 18.82 W for model GH1133.LRMT400EN 1133.DHM.T 32.95 W for model GH1133.FNMT300EN 1133.FNM.T 32.95 W for model GH1133.FNMT400EN 1133.FPM.T
Dimmer type:	Dimmable upon request
Daisy chain wiring:	External to the luminaire with IP68 connector available as an accessory
Emergency:	Not available
Cable type:	H07RN8-F 3x1 mm2
Cord length [m]:	0.5
Ambient temperature operating range [°C]:	-20 °C ÷ +35 °C

## OPTICAL:

Beam angle [°]	22°
Light distribution	Symmetrical medium flood (15° - 45°)
Beam directionability	Adjustable
Swivel [°]	40° - 90°
Diffuser material	Sodium-calcium tempered glass 4mm
Diffuser finish	Transparent - extra clear
Optics	Aluminum reflector with super pure aluminum metallization


**LIGHTING SOURCE for model GH1133.LRMT300EN 1133.DGM.T**

Light source	LED
Type of bulb or LED	COB
Light source [W]	16 W
Nominal LED emission [Lm]	1967 lm
Color temperature	3000 K
Color rendering index	CRI>90
Binning	Step MacAdam 3
Life Time LED [t]	100.000h - L80 - B10
LED voltage range [V]	31.2-36.8V
Courrent	450 mA
Luminaire emission [lm]	1 x 1414
LED / Bulb	Included

**LIGHTING SOURCE for model GH1133.LRMT400EN 1133.DHM.T**

Light source	LED
Type of bulb or LED	COB
Light source [W]	16 W
Nominal LED emission [Lm]	1997 lm
Color temperature	4000 K
Color rendering index	CRI>90
Binning	Step MacAdam 3
Life Time LED [t]	100.000h - L80 - B10
LED voltage range [V]	31.2-36.8V
Courrent	450 mA
Luminaire emission [lm]	1 x 1435
LED / Bulb	Included

**LIGHTING SOURCE for model GH1133.FNMT300EN 1133.FNM.T**

Light source	LED
Type of bulb or LED	COB
Light source [W]	29 W
Nominal LED emission [Lm]	3350 lm
Color temperature	3000 K
Color rendering index	CRI>90
Binning	Step MacAdam 3
Life Time LED [t]	100.000h - L80 - B10
LED voltage range [V]	31.2-36.8V
Courrent	800 mA
Luminaire emission [lm]	1 x 2408
LED / Bulb	Included

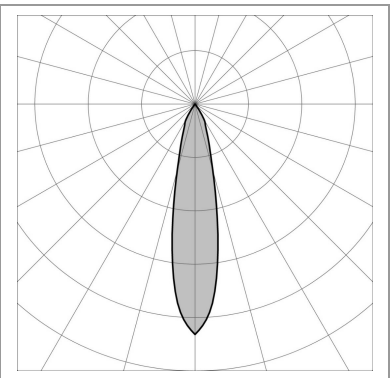
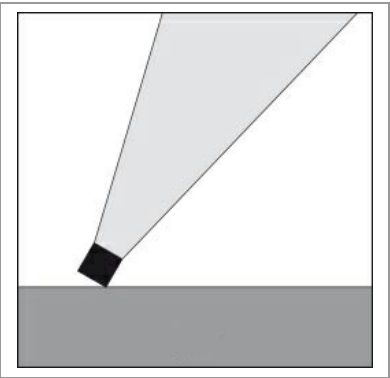
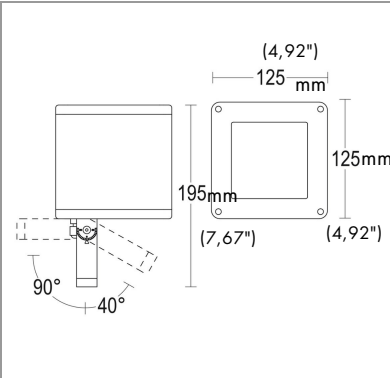
**LIGHTING SOURCE for model GH1133.FNMT400EN 1133.FPM.T**

Light source	LED
Type of bulb or LED	COB
Light source [W]	29 W
Nominal LED emission [Lm]	3401 lm
Color temperature	4000 K
Color rendering index	CRI>90
Binning	Step MacAdam 3
Life Time LED [t]	100.000h - L80 - B10
LED voltage range [V]	31.2-36.8V
Courrent	800 mA
Luminaire emission [lm]	1 x 2445
LED / Bulb	Included





## FARO SPOT 125 22°



### FINISH CODE:

- .05 Dark Grey (matt)
- .19 Light Grey
- .80 Sand
- .01 White (matt)
- .02 Black (matt)
- .45 Corten

### ACCESSORIES for model GH1133.LRMT300EN 1133.DGM.T:



### ACCESSORIES for model GH1133.FNMT300EN 1133.FNM.T:



### ACCESSORIES for model GH1133.FNMT400EN 1133.FPM.T:

