

CONSTRUCTIVE & DIMENSIONAL:

Application field:	Series of spot lights to be mounted on floor, wall, spike, tree with belt or on a pole system
Construction material:	Extruded aluminum EN AW-6060 T5 high resistance to oxidation, Die-cast aluminum EN AB 44100 highly resistant to oxidation
External screws:	Stainless steel A4-70 treated with highly antioxidant water-repellent lubricating solution
Gaskets:	Silicone gaskets
Length [mm]:	125mm(4,92")
Width [mm]:	125mm(4,92")
Height / Projection [mm]:	195mm(7,67")

ELECTRICAL:

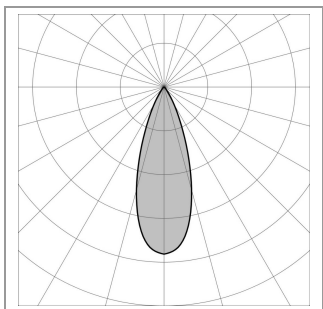
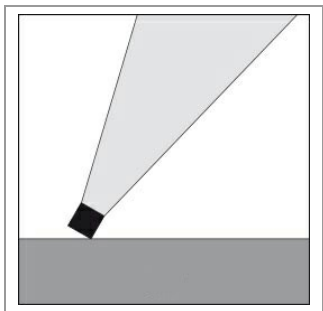
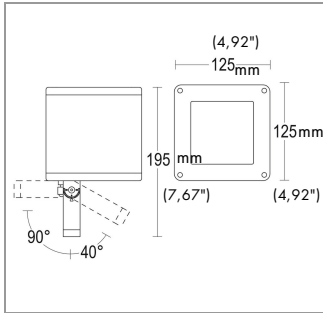
Description and Model Code:	GH1133.LRHT300EN	1 x 17 W LED 3000 K CRI>90	1 x 1930 lm
Operating Power:	110-277 V / 50-60 Hz		
Number of heads:	1		
Number of circuits:	1		
Driver positioning:	Integral		
Luminaire efficiency [lm/W]:	79.59		
Fixture consumption:	20 W		
Control gear type:	Electronic		
Dimmer type:	Dimmable upon request		
Cable entry:	Brass cable gland M16 Ø 5/10 mm		
Daisy chain wiring:	External to the luminaire with IP68 connector available as an accessory		
Cable type:	H07RN8-F 3x1mm ²		
Cord length [m]:	0.5		
Emergency:	Not available		
Ambient temperature operating range [°C]:	-20 °C ÷ +35 °C		

OPTICAL:

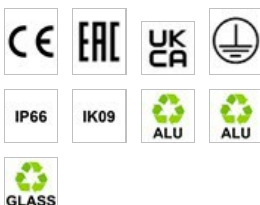
Beam angle [°]	36°
Light distribution	Symmetrical medium flood (15° - 45°)
Beam directionability	Adjustable
Swivel [°]	40° - 90°
Diffuser material	Sodium-calcium tempered glass 4mm
Diffuser finish	Transparent - extra clear
Optics	Anti UV technopolymer lens
Secondary optics	Black anti UV technopolymer reflector

LIGHTING SOURCE for model GH1133.LRHT300EN

Light source	LED
Type of bulb or LED	LED module
Light source [W]	17 W
Nominal LED emission [lm]	1930 lm
Color temperature	3000 K
Color rendering index	CRI>90
Binning	Step MacAdam 3
LED voltage range [V]	24V
Current	700 mA
Luminaire emission [lm]	1 x 1592
LED / Bulb	Included



H(m)	φ (m)	lux med.	lux max.
		3000 K	3000 K
5	3.2	90	147
4	2.6	140	230
3	1.9	249	409
2	1.3	560	920
1	0.6	2242	3682

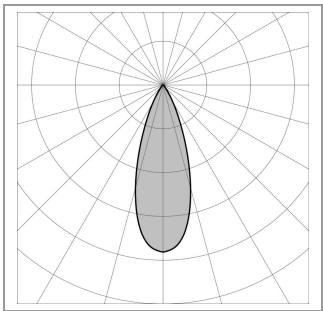
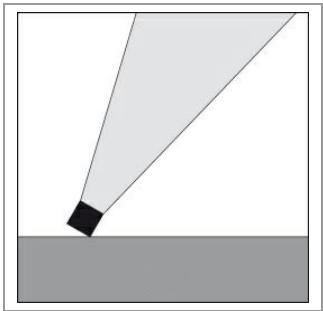
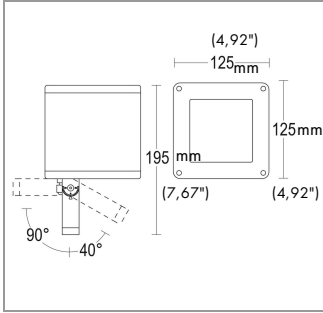




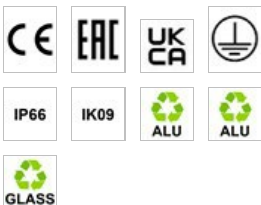
FINISH CODE:

- .05 Dark Grey (matt)
- .19 Light Grey
- .80 Sand
- .01 White (matt)
- .02 Black (matt)
- .45 Corten

ACCESSORIES:



H(m)	φ (m)	lux med. 3000 K	lux max. 3000 K
5	3.2	90	147
4	2.6	140	230
3	1.9	249	409
2	1.3	560	920
1	0.6	2242	3682



CONSTRUCTIVE & DIMENSIONAL:

Application field:	Series of spot lights to be mounted on floor, wall, spike, tree with belt or on a pole system
Construction material:	Extruded aluminum EN AW-6060 T5 high resistance to oxidation, Die-cast aluminum EN AB 44100 highly resistant to oxidation
External screws:	Stainless steel A4-70 treated with highly antioxidant water-repellent lubricating solution
Gaskets:	Silicone gaskets
Length [mm]:	125mm(4,92")
Width [mm]:	125mm(4,92")
Height / Projection [mm]:	195mm(7,67")

ELECTRICAL:

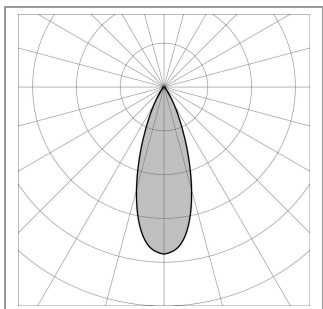
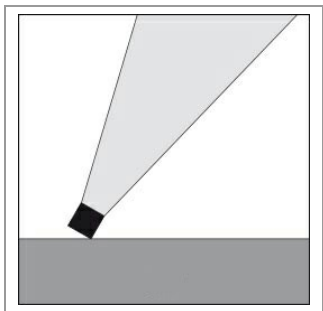
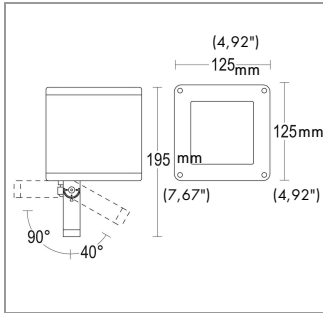
Description and Model Code:	GH1133.LRHT400EN	1 x 17 W LED 4000 K CRI>90	1 x 2116 lm
Operating Power:	110-277 V / 50-60 Hz		
Number of heads:	1		
Number of circuits:	1		
Driver positioning:	Integral		
Luminaire efficiency [lm/W]:	87.26		
Fixture consumption:	20 W		
Control gear type:	Electronic		
Dimmer type:	Dimmable upon request		
Cable entry:	Brass cable gland M16 Ø 5/10 mm		
Daisy chain wiring:	External to the luminaire with IP68 connector available as an accessory		
Cable type:	H07RN8-F 3x1mm2		
Cord length [m]:	0.5		
Emergency:	Not available		
Ambient temperature operating range [°C]:	-20 °C ÷ +35 °C		

OPTICAL:

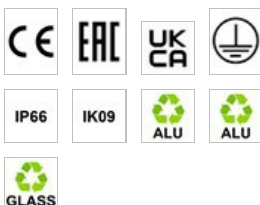
Beam angle [°]	36°
Light distribution	Symmetrical medium flood (15° - 45°)
Beam directionability	Adjustable
Swivel [°]	40° - 90°
Diffuser material	Sodium-calcium tempered glass 4mm
Diffuser finish	Transparent - extra clear
Optics	Anti UV technopolymer lens
Secondary optics	Black anti UV technopolymer reflector

LIGHTING SOURCE for model GH1133.LRHT400EN

Light source	LED
Type of bulb or LED	LED module
Light source [W]	17 W
Nominal LED emission [Lm]	2116 lm
Color temperature	4000 K
Color rendering index	CRI>90
Binning	Step MacAdam 3
LED voltage range [V]	24V
Current	700 mA
Luminaire emission [lm]	1 x 1745
LED / Bulb	Included



H(m)	φ (m)	lux med. 4000 K	lux max. 4000 K
5	3.2	98	161
4	2.6	154	252
3	1.9	273	449
2	1.3	614	1009
1	0.6	2458	4037

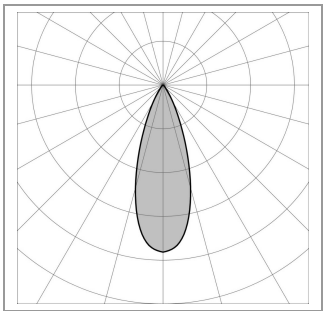
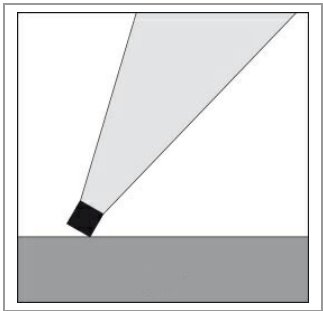
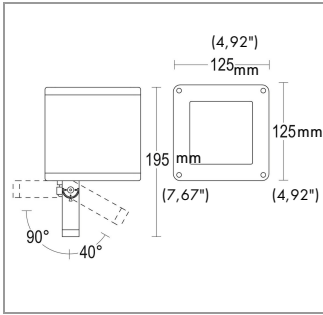




FINISH CODE:

- .05 Dark Grey (matt)
- .19 Light Grey
- .80 Sand
- .01 White (matt)
- .02 Black (matt)
- .45 Corten

ACCESSORIES:



H(m)	φ (m)	lux med. 4000 K	lux max. 4000 K
5	3.2	98	161
4	2.6	154	252
3	1.9	273	449
2	1.3	614	1009
1	0.6	2458	4037

