

**CONSTRUCTIVE & DIMENSIONAL:**

Application field:	Series of spot lights to be mounted on floor, wall, spike, tree with belt or on a pole system
Construction material:	Extruded aluminum EN AW-6060 T5 high resistance to oxidation, Die-cast aluminum EN AB 44100 highly resistant to oxidation
External screws:	Stainless steel A4-70 treated with highly antioxidant water-repellent lubricating solution
Gaskets:	Silicone gaskets
Length [mm]:	125mm(4,92")
Width [mm]:	125mm(4,92")
Height / Projection [mm]:	195mm(7,67")

**ELECTRICAL:**

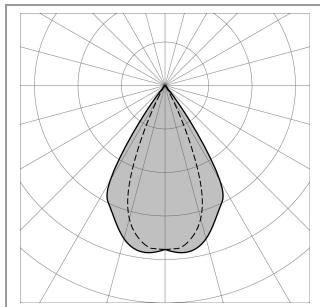
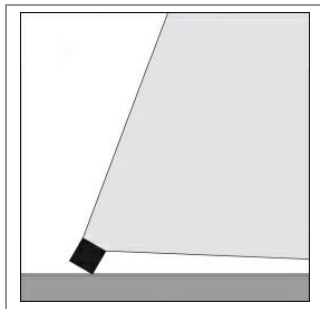
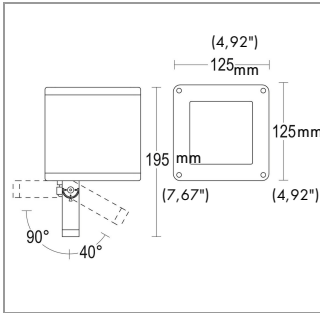
Description and Model Code:	GH1133.LRYT300EN	1 x 17 W LED 3000 K CRI>90	1 x 1930 lm
Operating Power:	110-277 V / 50-60 Hz		
Number of heads:	1		
Number of circuits:	1		
Driver positioning:	Integral		
Luminaire efficiency [lm/W]:	72.65		
Fixture consumption:	20 W		
Control gear type:	Electronic		
Dimmer type:	Dimmable upon request		
Cable entry:	Brass cable gland M16 Ø 5/10 mm		
Daisy chain wiring:	External to the luminaire with IP68 connector available as an accessory		
Cable type:	H07RN8-F 3x1mm2		
Cord length [m]:	0.5		
Emergency:	Not available		
Ambient temperature operating range [°C]:	-20 °C ÷ +35 °C		

**OPTICAL:**

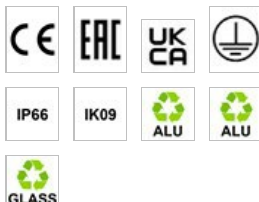
Beam angle [°]	44° x 64°
Light distribution	Asymmetric flood (wall washer)
Beam directionability	Adjustable
Swivel [°]	40° - 90°
Diffuser material	Sodium-calcium tempered glass 4mm
Diffuser finish	Transparent - extra clear
Optics	Reflector in anti-UV technopolymer with super pure aluminum metallization
Secondary optics	Black anti UV technopolymer reflector

**LIGHTING SOURCE for model GH1133.LRYT300EN**

Light source	LED
Type of bulb or LED	LED module
Light source [W]	17 W
Nominal LED emission [Lm]	1930 lm
Color temperature	3000 K
Color rendering index	CRI>90
Binning	Step MacAdam 3
LED voltage range [V]	24V
Current	700 mA
Luminaire emission [lm]	1 x 1453
LED / Bulb	Included



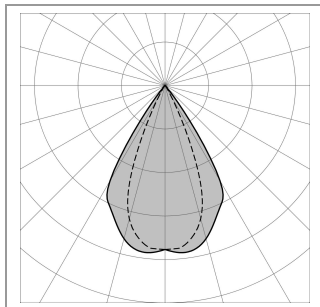
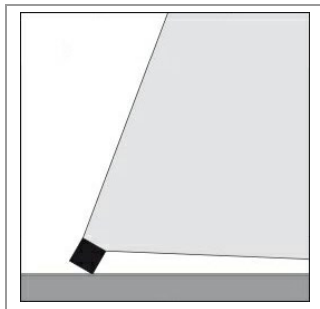
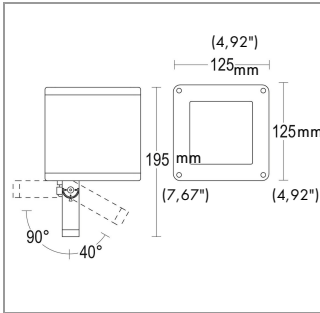
H(m)	φ (m)	lux med. 3000 K	lux max. 3000 K
5	6.3	48	74
4	5.0	74	115
3	3.8	132	205
2	2.5	297	461
1	1.3	1188	1842



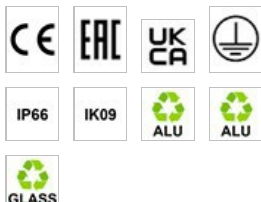
### FINISH CODE:

- .05 Dark Grey (matt)
- .19 Light Grey
- .80 Sand
- .01 White (matt)
- .02 Black (matt)
- .45 Corten

### ACCESSORIES:



H(m)	φ (m)	lux med. 3000 K	lux max. 3000 K
5	6.3	48	74
4	5.0	74	115
3	3.8	132	205
2	2.5	297	461
1	1.3	1188	1842



IP66

IK09

ALU

ALU



**CONSTRUCTIVE & DIMENSIONAL:**

Application field:	Series of spot lights to be mounted on floor, wall, spike, tree with belt or on a pole system
Construction material:	Extruded aluminum EN AW-6060 T5 high resistance to oxidation, Die-cast aluminum EN AB 44100 highly resistant to oxidation
External screws:	Stainless steel A4-70 treated with highly antioxidant water-repellent lubricating solution
Gaskets:	Silicone gaskets
Length [mm]:	125mm(4,92")
Width [mm]:	125mm(4,92")
Height / Projection [mm]:	195mm(7,67")

**ELECTRICAL:**

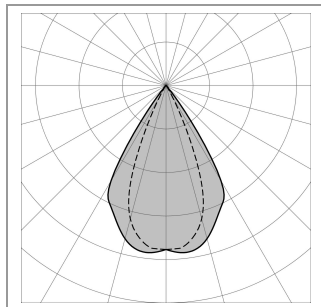
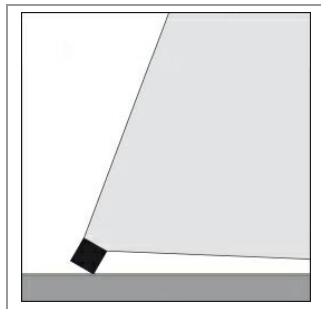
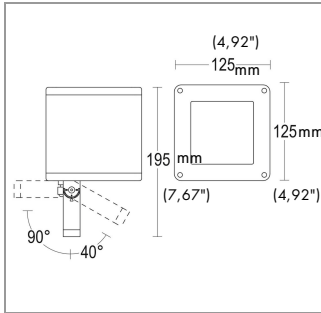
Description and Model Code:	GH1 133.LRYT400EN	1 x 17 W LED 4000 K CRI>90	1 x 2116 lm
Operating Power:	110-277 V / 50-60 Hz		
Number of heads:	1		
Number of circuits:	1		
Driver positioning:	Integral		
Luminaire efficiency [lm/W]:	79.66		
Fixture consumption:	20 W		
Control gear type:	Electronic		
Dimmer type:	Dimmable upon request		
Cable entry:	Brass cable gland M16 Ø 5/10 mm		
Daisy chain wiring:	External to the luminaire with IP68 connector available as an accessory		
Cable type:	H07RN8-F 3x1mm2		
Cord length [m]:	0.5		
Emergency:	Not available		
Ambient temperature operating range [°C]:	-20 °C ÷ +35 °C		

**OPTICAL:**

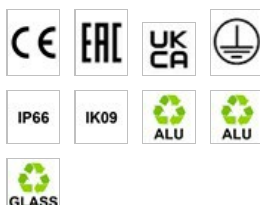
Beam angle [°]	44° x 64°
Light distribution	Asymmetric flood (wall washer)
Beam directionability	Adjustable
Swivel [°]	40° - 90°
Diffuser material	Sodium-calcium tempered glass 4mm
Diffuser finish	Transparent - extra clear
Optics	Reflector in anti-UV technopolymer with super pure aluminum metallization
Secondary optics	Black anti UV technopolymer reflector

**LIGHTING SOURCE for model GH1 133.LRYT400EN**



Light source	LED
Type of bulb or LED	LED module
Light source [W]	17 W
Nominal LED emission [Lm]	2116 lm
Color temperature	4000 K
Color rendering index	CRI>90
Binning	Step MacAdam 3
LED voltage range [V]	24V
Current	700 mA
Luminaire emission [lm]	1 x 1593
LED / Bulb	Included



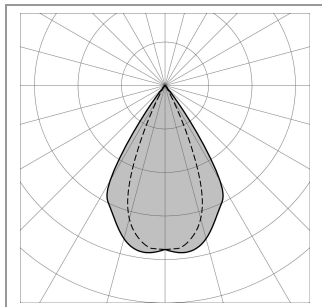
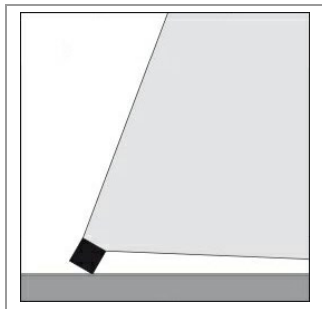
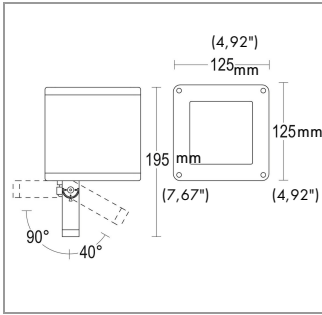
H(m)	φ (m)	lux med. 4000 K	lux max. 4000 K
5	6.3	52	81
4	5.0	81	126
3	3.8	145	224
2	2.5	325	505
1	1.3	1302	2020



### FINISH CODE:

-  .05 Dark Grey (matt)
-  .19 Light Grey
-  .80 Sand
-  .01 White (matt)
-  .02 Black (matt)
-  .45 Corten

### ACCESSORIES:



H(m)	φ (m)	lux med. 4000 K	lux max. 4000 K
5	6.3	52	81
4	5.0	81	126
3	3.8	145	224
2	2.5	325	505
1	1.3	1302	2020

