

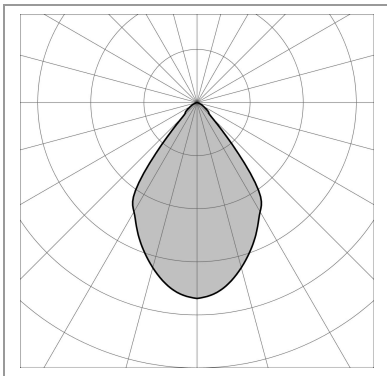
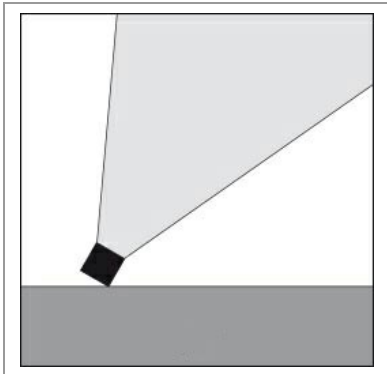
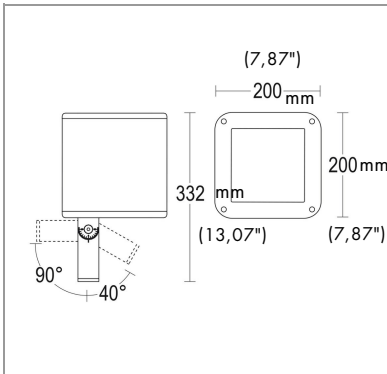
CONSTRUCTIVE & DIMENSIONAL:

Application field:	Series of spot lights to be mounted on floor, wall, spike, tree with belt or on a pole system
Construction material:	Extruded aluminum EN AW-6060 T5 high resistance to oxidation, Die-cast aluminum EN AB 44100 highly resistant to oxidation
External screws:	Stainless steel A4-70 treated with highly antioxidant water-repellent lubricating solution
Gaskets:	Silicone gaskets
Length [mm]:	200mm(7,87")
Width [mm]:	200mm(7,87")
Height / Projection [mm]:	332mm(13,07")

ELECTRICAL:

Description and Model Code:	GH1107.FLFT300EN	1 x 42 W LED 3000 K CRI>90	1 x 5129 lm
	GH1107.FLF.T		
	GH1107.FLFT400EN	1 x 42 W LED 4000 K CRI>90	1 x 5207 lm
	GH1107.FMF.T		
	GH1107.ECFT300EN	1 x 32 W LED 3000 K CRI>90	1 x 3957 lm
	GH1107.ECF.T		
	GH1107.ECFT400EN	1 x 32 W LED 4000 K CRI>90	1 x 4018 lm
	GH1107.EDF.T		
	GH1107.CGFT300EN	1 x 24.5 W LED 3000 K CRI>90	1 x 3116 lm
	GH1107.CGFT400EN	1 x 24.5 W LED 4000 K CRI>90	1 x 3164 lm
	GH1107.CEF.T		

Operating Power:	110-277 V / 50-60 Hz
Number of heads:	1
Number of circuits:	1
Driver positioning:	Integral
Control gear type:	Electronic
Cable entry:	Metal cable gland M20 Ø 7/13 mm
Luminaire efficiency [lm/W]:	69.66 for model GH1107.FLFT300EN GH1107.FLF.T
	70.72 for model GH1107.FLFT400EN GH1107.FMF.T
	70.54 for model GH1107.ECFT300EN GH1107.ECF.T
	71.62 for model GH1107.ECFT400EN GH1107.EDF.T
	72.55 for model GH1107.CGFT300EN
	73.67 for model GH1107.CGFT400EN GH1107.CEF.T
Fixture consumption:	47.73 W for model GH1107.FLFT300EN GH1107.FLF.T
	47.73 W for model GH1107.FLFT400EN GH1107.FMF.T
	36.36 W for model GH1107.ECFT300EN GH1107.ECF.T
	36.36 W for model GH1107.ECFT400EN GH1107.EDF.T
	27.84 W for model GH1107.CGFT300EN
	27.84 W for model GH1107.CGFT400EN GH1107.CEF.T
Dimmer type:	Dimmable upon request
Daisy chain wiring:	External to the luminaire with IP68 connector available as an accessory
Cable type:	H07RN8-F 3x1mm2
Cord length [m]:	0.5
Emergency:	Not available
Ambient temperature operating range [°C]:	-20 °C ÷ +35 °C



H(m)	φ(m)	lux med. 3000 K	lux max. 3000 K
5	7.3	50	114
4	5.8	79	177
3	4.4	140	316
2	2.9	315	710
1	1.5	1261	2840

GH1107.FLFT300EN

GH1107.FLF.T

H(m)	φ(m)	lux med. 4000 K	lux max. 4000 K
5	7.3	51	115
4	5.8	80	180
3	4.4	142	320
2	2.9	320	721
1	1.5	1280	2883

GH1107.FLFT400EN

GH1107.FMF.T

H(m)	φ(m)	lux med. 3000 K	lux max. 3000 K
5	7.3	39	88
4	5.8	61	137
3	4.4	108	243
2	2.9	243	548
1	1.5	973	2191

GH1107.ECFT300EN

GH1107.ECF.T

OPTICAL:

Beam angle [°]	72°
Light distribution	Symmetrical wide beam (45° - 125°)
Beam directionability	Adjustable
Swivel [°]	40° - 90°
Diffuser material	Sodium-calcium tempered glass 6mm
Diffuser finish	Transparent - extra clear
Optics	Aluminum reflector with super pure aluminum metallization

FINISH CODE:

● .05 Dark Grey (matt)	● .19 Light Grey	● .80 Sand
● .01 White (matt)	● .02 Black (matt)	● .45 Corten

LIGHTING SOURCE for model GH1107.FLFT300EN GH1107.FLF.T

Light source	LED
Type of bulb or LED	LED
Light source [W]	42 W
Nominal LED emission [Lm]	5129 lm
Color temperature	3000 K
Color rendering index	CRI>90
Binning	Step MacAdam 3
LED voltage range [V]	31.2-36.8V
Current	1200 mA
Luminaire emission [lm]	1 x 3325
LED / Bulb	Included

LIGHTING SOURCE for model GH1107.FLFT400EN GH1107.FMF.T

Light source	LED
Type of bulb or LED	LED
Light source [W]	42 W
Nominal LED emission [Lm]	5207 lm
Color temperature	4000 K
Color rendering index	CRI>90
Life Time LED [t]	100.000h - L80 - B10
LED voltage range [V]	31.2-36.8V
Current	1600 mA
Luminaire emission [lm]	1 x 3375
LED / Bulb	Included

LIGHTING SOURCE for model GH1107.ECFT300EN GH1107.ECF.T

Light source	LED
Type of bulb or LED	LED
Light source [W]	32 W
Nominal LED emission [Lm]	3957 lm
Color temperature	3000 K
Color rendering index	CRI>90
Binning	Step MacAdam 3
Life Time LED [t]	100.000h - L80 - B10
LED voltage range [V]	31.2-36.8V
Current	900 mA
Luminaire emission [lm]	1 x 2565
LED / Bulb	Included

LIGHTING SOURCE for model GH1107.ECFT400EN GH1107.EDF.T

H(m)	φ(m)	lux med. 4000 K	lux max. 4000 K
5	7.3	40	89
4	5.8	62	139
3	4.4	110	247
2	2.9	247	556
1	1.5	988	2225

GH1107.ECFT400EN
GH1107.EDF.T

Light source	LED
Type of bulb or LED	LED
Light source [W]	32 W
Nominal LED emission [Lm]	4018 lm
Color temperature	4000 K
Color rendering index	CRI>90
Binning	Step MacAdam 3
Life Time LED [t]	100.000h - L80 - B10
LED voltage range [V]	31.2-36.8V
Courrent	900 mA
Luminaire emission [lm]	1 x 2604
LED / Bulb	Included

LIGHTING SOURCE for model GH1107.CGFT300EN

H(m)	φ(m)	lux med. 3000 K	lux max. 3000 K
5	7.3	31	69
4	5.8	48	108
3	4.4	85	192
2	2.9	191	431
1	1.5	766	1725

GH1107.CGFT300EN

Light source	LED
Type of bulb or LED	LED
Light source [W]	24.5 W
Nominal LED emission [Lm]	3116 lm
Color temperature	3000 K
Color rendering index	CRI>90
Binning	Step MacAdam 3
Life Time LED [t]	100.000h - L80 - B10
LED voltage range [V]	31.2-36.8V
Courrent	700 mA
Luminaire emission [lm]	1 x 2020
LED / Bulb	Included

LIGHTING SOURCE for model GH1107.CGFT400EN GH1107.CEF.T

H(m)	φ(m)	lux med. 4000 K	lux max. 4000 K
5	7.3	31	70
4	5.8	49	109
3	4.4	86	195
2	2.9	194	438
1	1.5	778	1752

GH1107.CGFT400EN
GH1107.CEF.T

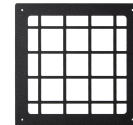
Light source	LED
Type of bulb or LED	LED
Light source [W]	24.5 W
Nominal LED emission [Lm]	3164 lm
Color temperature	4000 K
Color rendering index	CRI>90
Binning	Step MacAdam 3
Life Time LED [t]	100.000h - L80 - B10
LED voltage range [V]	31.2-36.8V
Courrent	700 mA
Luminaire emission [lm]	1 x 2051
LED / Bulb	Included

ACCESSORIES:

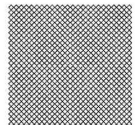

Stake 220mm
AC711



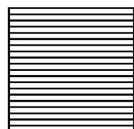
Antiglare louver Faro
AC180



Vandal proof grid Faro
AC181



Microprismatic lens Faro
AC182



Elipsoidal lens Faro
AC184



Directional flaps Faro
AC185



Tree fixing strap - Faro
AC643