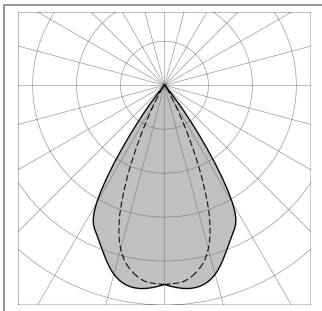
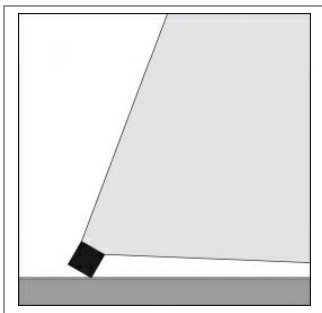
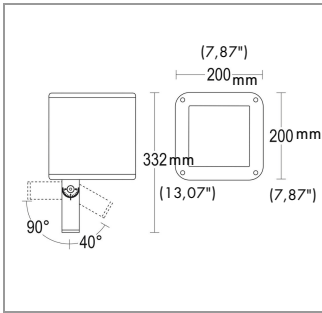


CONSTRUCTIVE & DIMENSIONAL:


H(m)	φ (m)	lux med. 3000 K	lux max. 3000 K
5	6.3	103	159
4	5.1	161	249
3	3.8	287	443
2	2.5	645	996
1	1.3	2582	3985



Application field:	Series of spot lights to be mounted on floor, wall, spike, tree with belt or on a pole system
Construction material:	Extruded aluminum EN AW-6060 T5 high resistance to oxidation, Die-cast aluminum EN AB 44100 highly resistant to oxidation
External screws:	Stainless steel A4-70 treated with highly antioxidant water-repellent lubricating solution
Gaskets:	Silicone gaskets
Length [mm]:	200mm(7,87")
Width [mm]:	200mm(7,87")
Height / Projection [mm]:	332mm(13,07")

ELECTRICAL:

Description and Model Code:	GH1107.ACYT300EN 1 x 38.2 W LED 3000 K CRI>90 1 x 4343 lm
Operating Power:	110-277 V / 50-60 Hz
Number of heads:	1
Number of circuits:	1
Driver positioning:	Integral
Luminaire efficiency [lm/W]:	74.06
Fixture consumption:	43.41 W
Control gear type:	Electronic
Dimmer type:	Dimmable upon request
Cable entry:	Metal cable gland M20 Ø 7/13 mm
Daisy chain wiring:	External to the luminaire with IP68 connector available as an accessory
Cable type:	H07RN8-F 3x1mm2
Cord length [m]:	0.5
Emergency:	Not available
Ambient temperature operating range [°C]:	-20 °C ÷ +35 °C

OPTICAL:

Beam angle [°]	44° x 64°
Light distribution	Asymmetric flood (wall washer)
Beam directionability	Adjustable
Swivel [°]	40° - 90°
Diffuser material	Sodium-calcium tempered glass 6mm
Diffuser finish	Transparent - extra clear
Optics	Reflector in anti-UV technopolymer with super pure aluminum metallization
Secondary optics	Black anti UV technopolymer reflector

LIGHTING SOURCE for model GH1107.ACYT300EN

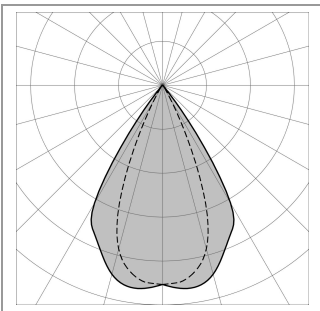
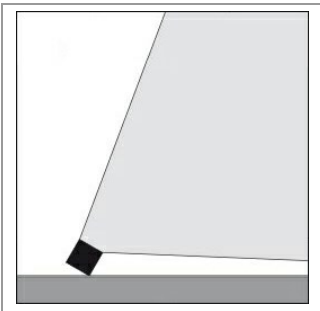
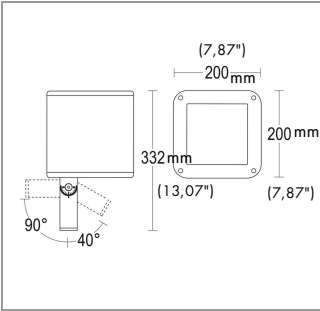
Light source	LED
Type of bulb or LED	LED module
Light source [W]	38.2 W
Nominal LED emission [Lm]	4343 lm
Color temperature	3000 K
Color rendering index	CRI>90
Binning	Step MacAdam 3
LED voltage range [V]	54V
Current	700 mA
Luminaire emission [lm]	1 x 3215
LED / Bulb	Included



FINISH CODE:

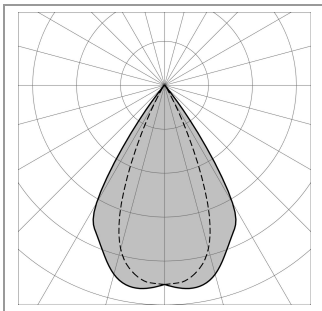
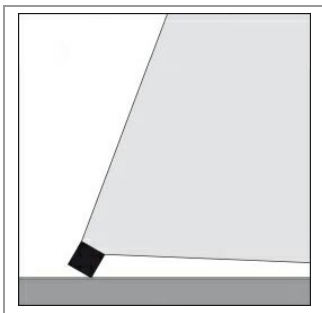
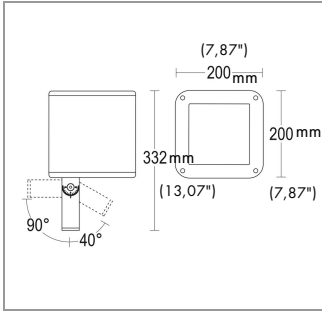
- .05 Dark Grey (matt)
- .19 Light Grey
- .80 Sand
- .01 White (matt)
- .02 Black (matt)
- .45 Corten

ACCESSORIES:



H(m)	φ (m)	lux med. 3000 K	lux max. 3000 K
5	6.3	103	159
4	5.1	161	249
3	3.8	287	443
2	2.5	645	996
1	1.3	2582	3985





H(m)	φ (m)	lux med. 4000 K	lux max. 4000 K
5	6.3	113	175
4	5.1	177	273
3	3.8	315	485
2	2.5	708	1092
1	1.3	2831	4369


CONSTRUCTIVE & DIMENSIONAL:

Application field:	Series of spot lights to be mounted on floor, wall, spike, tree with belt or on a pole system
Construction material:	Extruded aluminum EN AW-6060 T5 high resistance to oxidation, Die-cast aluminum EN AB 44100 highly resistant to oxidation
External screws:	Stainless steel A4-70 treated with highly antioxidant water-repellent lubricating solution
Gaskets:	Silicone gaskets
Length [mm]:	200mm(7,87")
Width [mm]:	200mm(7,87")
Height / Projection [mm]:	332mm(13,07")

ELECTRICAL:

Description and Model Code:	GH1 107.ACYT400EN 1 x 38.2 W LED 4000 K CRI>90 1 x 4762 lm
Operating Power:	110-277 V / 50-60 Hz
Number of heads:	1
Number of circuits:	1
Driver positioning:	Integral
Luminaire efficiency [lm/W]:	81.2
Fixture consumption:	43.41 W
Control gear type:	Electronic
Dimmer type:	Dimmable upon request
Cable entry:	Metal cable gland M20 Ø 7/13 mm
Daisy chain wiring:	External to the luminaire with IP68 connector available as an accessory
Cable type:	H07RN8-F 3x1mm ²
Cord length [m]:	0.5
Emergency:	Not available
Ambient temperature operating range [°C]:	-20 °C ÷ +35 °C

OPTICAL:

Beam angle [°]	44° x 64°
Light distribution	Asymmetric flood (wall washer)
Beam directionability	Adjustable
Swivel [°]	40° - 90°
Diffuser material	Sodium-calcium tempered glass 6mm
Diffuser finish	Transparent - extra clear
Optics	Reflector in anti-UV technopolymer with super pure aluminum metallization
Secondary optics	Black anti UV technopolymer reflector

LIGHTING SOURCE for model GH1 107.ACYT400EN

Light source	LED
Type of bulb or LED	LED module
Light source [W]	38.2 W
Nominal LED emission [Lm]	4762 lm
Color temperature	4000 K
Color rendering index	CRI>90
Binning	Step MacAdam 3
LED voltage range [V]	54V
Current	700 mA
Luminaire emission [lm]	1 x 3525
LED / Bulb	Included



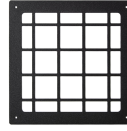
FINISH CODE:

- .05 Dark Grey (matt)
- .19 Light Grey
- .80 Sand
- .01 White (matt)
- .02 Black (matt)
- .45 Corten

ACCESSORIES:



Stake 220mm AC711



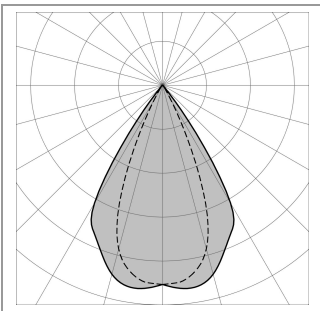
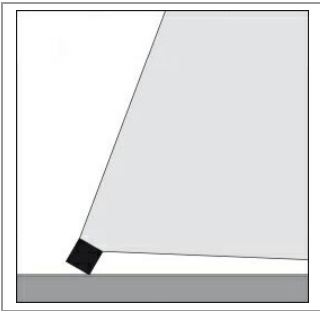
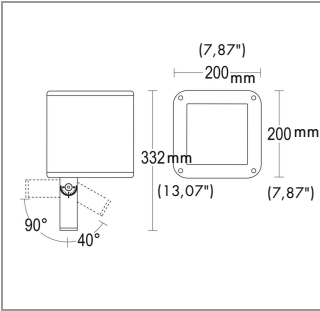
Vandal proof grid Faro AC181



Directional flaps Faro AC185



Tree fixing strap - Faro AC643



H(m)	φ(m)	lux med. 4000 K	lux max. 4000 K
5	6.3	113	175
4	5.1	177	273
3	3.8	315	485
2	2.5	708	1092
1	1.3	2831	4369

