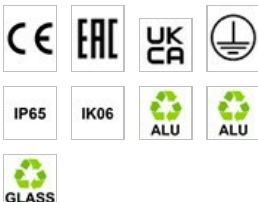


H(m)	φ (m)	lux	
		med. 3000 K	max. 3000 K
5	5.1	90	161
4	4.0	141	252
3	3.0	250	448
2	2.0	563	1009
1	1.0	2252	4034


CONSTRUCTIVE & DIMENSIONAL:

Application field:	Series of spot lights to be mounted on floor, wall, spike, tree with belt or on a pole system
Construction material:	Extruded aluminum EN AW-6060 T5 high resistance to oxidation, Die-cast aluminum EN AB 44100 highly resistant to oxidation
External screws:	Stainless steel A4-70 treated with highly antioxidant water-repellent lubricating solution
Gaskets:	Silicone gaskets
Length [mm]:	200mm(7,87")
Width [mm]:	200mm(7,87")
Height / Projection [mm]:	332mm(13,07")

ELECTRICAL:

Description and Model Code:	GH1107.ACPT300EN 1 x 38.2 W LED 3000 K CRI>90 1 x 4343 lm
Operating Power:	110-277 V / 50-60 Hz
Number of heads:	1
Number of circuits:	1
Driver positioning:	Integral
Luminaire efficiency [lm/W]:	74.05
Fixture consumption:	43.41 W
Control gear type:	Electronic
Dimmer type:	Dimmable upon request
Cable entry:	Metal cable gland M20 Ø 7/13 mm
Daisy chain wiring:	External to the luminaire with IP68 connector available as an accessory
Cable type:	H07RN8-F 3x1mm2
Cord length [m]:	0.5
Emergency:	Not available
Ambient temperature operating range [°C]:	-20 °C ÷ +35 °C

OPTICAL:

Beam angle [°]	53°
Light distribution	Symmetrical wide beam (45° - 125°)
Beam directionability	Adjustable
Swivel [°]	40° - 90°
Diffuser material	Sodium-calcium tempered glass 6mm
Diffuser finish	Transparent - extra clear
Optics	Anti UV technopolymer lens
Secondary optics	Black anti UV technopolymer reflector

LIGHTING SOURCE for model GH1107.ACPT300EN

Light source	LED
Type of bulb or LED	LED module
Light source [W]	38.2 W
Nominal LED emission [Lm]	4343 lm
Color temperature	3000 K
Color rendering index	CRI>90
Binning	Step MacAdam 3
LED voltage range [V]	54V
Courrent	700 mA
Luminaire emission [lm]	1 x 3214
LED / Bulb	Included



FINISH CODE:

● .05 Dark Grey (matt)

● .19 Light Grey

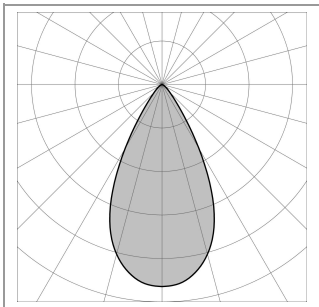
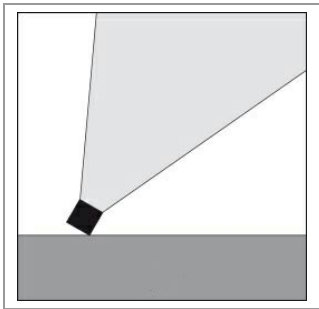
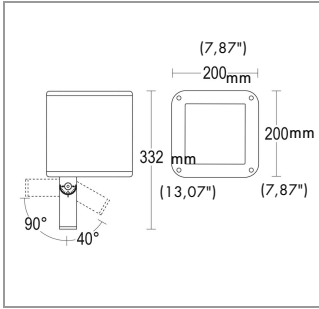
● .80 Sand

● .01 White (matt)

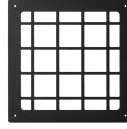
● .02 Black (matt)

● .45 Corten

ACCESSORIES:



Stake 220mm AC711



Vandal proof grid Faro AC181

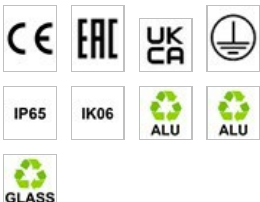


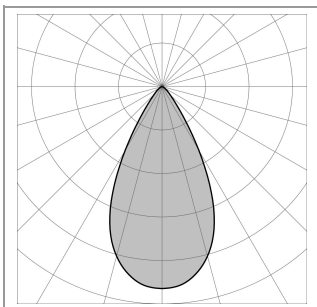
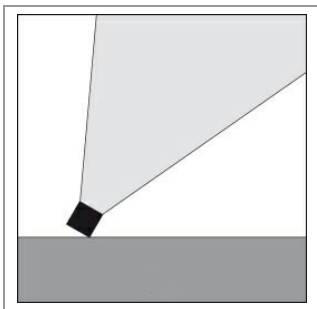
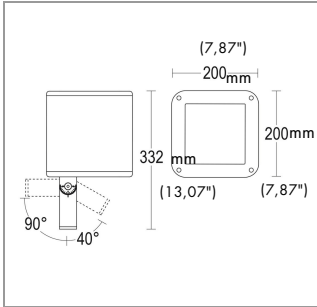
Directional flaps Faro AC185



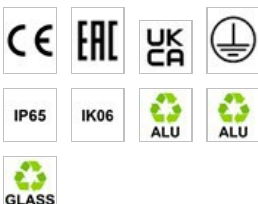
Tree fixing strap - Faro AC643

H(m)	φ (m)	lux med. 3000 K	lux max. 3000 K
5	5.1	90	161
4	4.0	141	252
3	3.0	250	448
2	2.0	563	1009
1	1.0	2252	4034





H(m)	φ (m)	lux med. 4000 K	lux max. 4000 K
5	5.1	99	177
4	4.0	154	276
3	3.0	274	491
2	2.0	617	1106
1	1.0	2469	4423


CONSTRUCTIVE & DIMENSIONAL:

Application field:	Series of spot lights to be mounted on floor, wall, spike, tree with belt or on a pole system
Construction material:	Extruded aluminum EN AW-6060 T5 high resistance to oxidation, Die-cast aluminum EN AB 44100 highly resistant to oxidation
External screws:	Stainless steel A4-70 treated with highly antioxidant water-repellent lubricating solution
Gaskets:	Silicone gaskets
Length [mm]:	200mm(7,87")
Width [mm]:	200mm(7,87")
Height / Projection [mm]:	332mm(13,07")

ELECTRICAL:

Description and Model Code:	GH1 107.ACPT400EN 1 x 38.2 W LED 4000 K CRI>90 1 x 4762 lm
Operating Power:	110-277 V / 50-60 Hz
Number of heads:	1
Number of circuits:	1
Driver positioning:	Integral
Luminaire efficiency [lm/W]:	81.19
Fixture consumption:	43.41 W
Control gear type:	Electronic
Dimmer type:	Dimmable upon request
Cable entry:	Metal cable gland M20 Ø 7/13 mm
Daisy chain wiring:	External to the luminaire with IP68 connector available as an accessory
Cable type:	H07RN8-F 3x1mm ²
Cord length [m]:	0.5
Emergency:	Not available
Ambient temperature operating range [°C]:	-20 °C ÷ +35 °C

OPTICAL:

Beam angle [°]	53°
Light distribution	Symmetrical wide beam (45° - 125°)
Beam directionability	Adjustable
Swivel [°]	40° - 90°
Diffuser material	Sodium-calcium tempered glass 6mm
Diffuser finish	Transparent - extra clear
Optics	Anti UV technopolymer lens
Secondary optics	Black anti UV technopolymer reflector

LIGHTING SOURCE for model GH1 107.ACPT400EN

Light source	LED
Type of bulb or LED	LED module
Light source [W]	38.2 W
Nominal LED emission [Lm]	4762 lm
Color temperature	4000 K
Color rendering index	CRI>90
Binning	Step MacAdam 3
LED voltage range [V]	54V
Courrent	700 mA
Luminaire emission [lm]	1 x 3524
LED / Bulb	Included



FINISH CODE:

● .05 Dark Grey (matt)

● .19 Light Grey

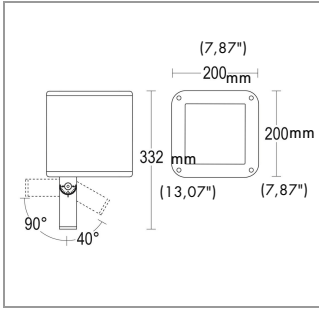
● .80 Sand

● .01 White (matt)

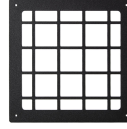
● .02 Black (matt)

● .45 Corten

ACCESSORIES:



Stake 220mm AC711



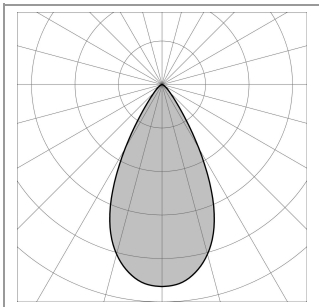
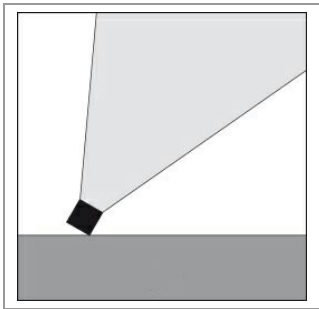
Vandal proof grid Faro AC181



Directional flaps Faro AC185



Tree fixing strap - Faro AC643



H(m)	φ (m)	lux med. 4000 K	lux max. 4000 K
5	5.1	99	177
4	4.0	154	276
3	3.0	274	491
2	2.0	617	1106
1	1.0	2469	4423

