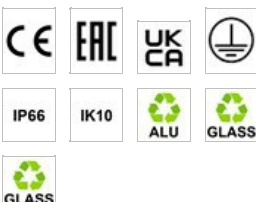
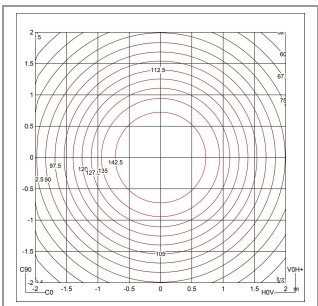
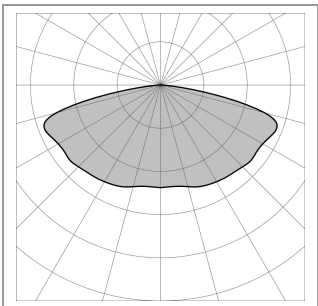
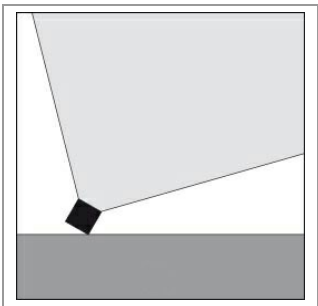
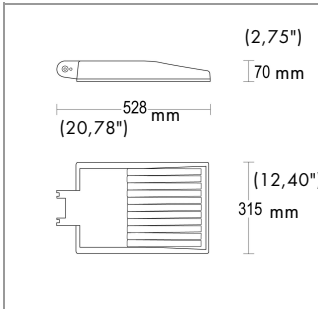


CONSTRUCTIVE & DIMENSIONAL:

Application field:	Series of spot lights to be mounted on pole system, wall, floor.
Construction material:	Die-cast aluminum EN AB 44100 highly resistant to oxidation, Glass
External screws:	Stainless steel A4-70 treated with highly antioxidant water-repellent lubricating solution
Gaskets:	Silicone gaskets
Length [mm]:	426mm(16,77")
Width [mm]:	314mm(12,36")
Height / Projection [mm]:	71mm(2,79")

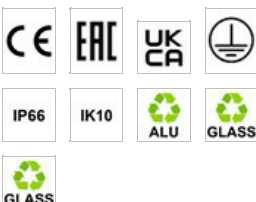
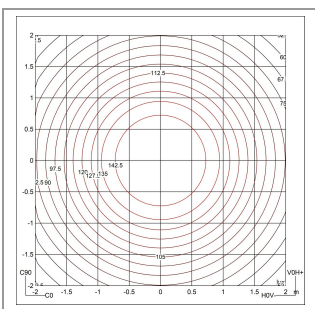
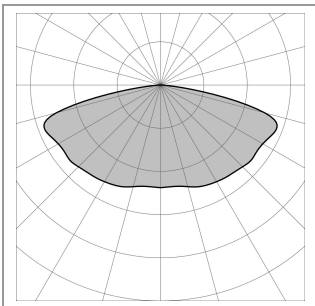
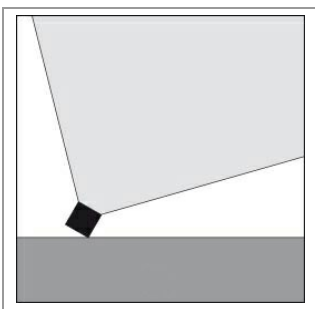
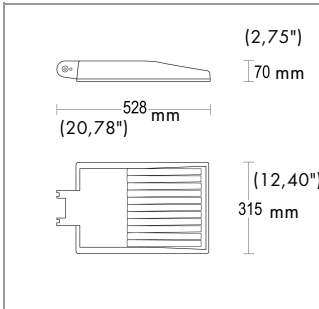

ELECTRICAL:

Description and Model Code:	GH5486.LFBT300EN	1 x 52.5 W LED 3000 K CRI>80	1 x 8196 lm
	GH5486.LFBT400EN	1 x 52.5 W LED 4000 K CRI>80	1 x 8475 lm
	GH5486.SZBT300EN	1 x 105 W LED 3000 K CRI>80	1 x 14412 lm
	GH5486.SZBT400EN	1 x 105 W LED 4000 K CRI>80	1 x 14910 lm
	GH5486.NBBT300EN	1 x 66 W LED 3000 K CRI>80	1 x 10245 lm
	GH5486.NBBT400EN	1 x 66 W LED 4000 K CRI>80	1 x 10593 lm
	GH5486.NXBT300EN	1 x 123 W LED 3000 K CRI>80	1 x 17595 lm
	GH5486.NXBT400EN	1 x 123 W LED 4000 K CRI>80	1 x 17664 lm

Operating Power:	110-277 V / 50-60 Hz
Number of heads:	1
Number of circuits:	1
Driver positioning:	Integral
Control gear type:	Electronic
Cable entry:	Nylon cable gland M20 Ø 7/13 mm
Luminaire efficiency [lm/W]:	97.41 for model GH5486.LFBT300EN 100.73 for model GH5486.LFBT400EN 87.55 for model GH5486.SZBT300EN 90.57 for model GH5486.SZBT400EN 96.86 for model GH5486.NBBT300EN 100.15 for model GH5486.NBBT400EN 91.24 for model GH5486.NXBT300EN 91.6 for model GH5486.NXBT400EN
Fixture consumption:	58.33 W for model GH5486.LFBT300EN / GH5486.LFBT400EN 114.13 W for model GH5486.SZBT300EN / GH5486.SZBT400EN 73.33 W for model GH5486.NBBT300EN / GH5486.NBBT400EN 133.7 W for model GH5486.NXBT300EN / GH5486.NXBT400EN
Dimmer type:	Dimmable upon request
Daisy chain wiring:	External to the luminaire with IP68 connector available as an accessory
Cable type:	H07RN8-F 3x1 mm2
Cord length [m]:	1
Emergency:	Not available
Ambient temperature operating range [°C]:	-20 °C ÷ +35 °C

OPTICAL:

Beam angle [°]	159°
Light distribution	Symmetrical wide beam (45° - 125°)
Beam directionability	Fixed optics
Swivel [°]	+/- 90°
Diffuser material	Sodium-calcium tempered glass
Diffuser finish	Transparent - extra clear
Optics	Anti UV technopolymer lens


LIGHTINGSOURCE for model GH5486.LFBT300EN

Light source	LED
Type of bulb or LED	LED module
Light source [W]	52.5 W
Nominal LED emission [Lm]	8196 lm
Color temperature	3000 K
Color rendering index	CRI>80
Binning	Step MacAdam 3
Life Time LED [t]	100.000h - L90 - B10
LED voltage range [V]	47.0-55.2V
Courrent	400 mA
Luminaire emission [lm]	1 x 5682
LED / Bulb	Included

LIGHTING SOURCE for model GH5486.LFBT400EN

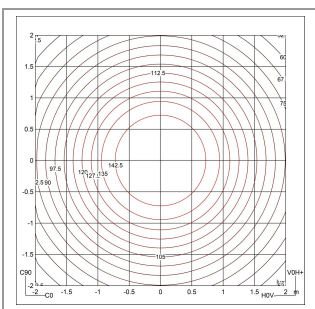
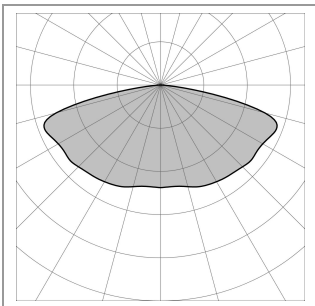
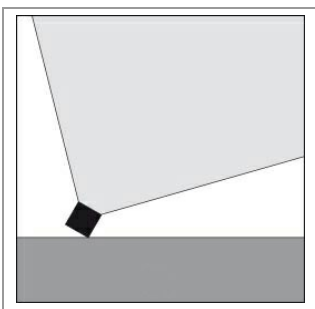
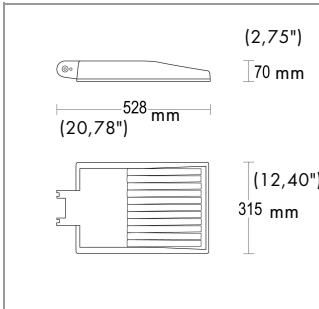
Light source	LED
Type of bulb or LED	LED module
Light source [W]	52.5 W
Nominal LED emission [Lm]	8475 lm
Color temperature	4000 K
Color rendering index	CRI>80
Binning	Step MacAdam 3
Life Time LED [t]	100.000h - L90 - B10
LED voltage range [V]	47.0-55.2V
Courrent	400 mA
Luminaire emission [lm]	1 x 5876
LED / Bulb	Included

LIGHTING SOURCE for model GH5486.SZBT300EN

Light source	LED
Type of bulb or LED	LED module
Light source [W]	105 W
Nominal LED emission [Lm]	14412 lm
Color temperature	3000 K
Color rendering index	CRI>80
Binning	Step MacAdam 3
Life Time LED [t]	100.000h - L90 - B10
LED voltage range [V]	47.0-55.2V
Courrent	700 mA
Luminaire emission [lm]	1 x 9992
LED / Bulb	Included

LIGHTING SOURCE for model GH5486.SZBT400EN

Light source	LED
Type of bulb or LED	LED module
Light source [W]	105 W
Nominal LED emission [Lm]	14910 lm
Color temperature	4000 K
Color rendering index	CRI>80
Binning	Step MacAdam 3
Life Time LED [t]	100.000h - L90 - B10
LED voltage range [V]	47.0-55.2V
Courrent	700 mA
Luminaire emission [lm]	1 x 10337
LED / Bulb	Included


LIGHTING SOURCE for model GH5484.FLET300EN

Light source	LED
Type of bulb or LED	LED module
Light source [W]	66 W
Nominal LED emission [Lm]	10245 lm
Color temperature	3000 K
Color rendering index	CRI>80
Binning	Step MacAdam 3
Life Time LED [t]	100.000h - L90 - B10
LED voltage range [V]	47.0-55.2V
Courrent	500 mA
Luminaire emission [lm]	1 x 7103
LED / Bulb	Included

LIGHTING SOURCE for model GH5486.NBBT400EN

Light source	LED
Type of bulb or LED	LED module
Light source [W]	66 W
Nominal LED emission [Lm]	10593 lm
Color temperature	4000 K
Color rendering index	CRI>80
Binning	Step MacAdam 3
Life Time LED [t]	100.000h - L90 - B10
LED voltage range [V]	47.0-55.2V
Courrent	500 mA
Luminaire emission [lm]	1 x 7344
LED / Bulb	Included

LIGHTING SOURCE for model GH5486.NXBT300EN

Light source	LED
Type of bulb or LED	LED module
Light source [W]	123 W
Nominal LED emission [Lm]	17595 lm
Color temperature	3000 K
Color rendering index	CRI>80
Binning	Step MacAdam 3
Life Time LED [t]	100.000h - L90 - B10
LED voltage range [V]	47.0-55.2V
Courrent	900 mA
Luminaire emission [lm]	1 x 12199
LED / Bulb	Included

LIGHTING SOURCE for model GH5486.NXBT400EN

Light source	LED
Type of bulb or LED	LED module
Light source [W]	123 W
Nominal LED emission [Lm]	17664 lm
Color temperature	4000 K
Color rendering index	CRI>80
Binning	Step MacAdam 3
Life Time LED [t]	100.000h - L90 - B10
LED voltage range [V]	47.0-55.2V
Courrent	900 mA
Luminaire emission [lm]	1 x 12246
LED / Bulb	Included



FINISH CODE:

● .05 Dark Grey (matt)

● .19 Light Grey

ACCESSORIES:



IP 68 fast connector AC204



Wall bracket Maestro / Maximaestro Flat AC555

