

## CONSTRUCTIVE & DIMENSIONAL:

Application field:	Series of spot lights to be mounted on pole system, wall, floor.
Construction material:	Die-cast aluminum EN AB 44100 highly resistant to oxidation, Glass
External screws:	Stainless steel A4-70 treated with highly antioxidant water-repellent lubricating solution
Gaskets:	Silicone gaskets
Length [mm]:	426mm(16,77")
Width [mm]:	314mm(12,36")
Height / Projection [mm]:	71mm(2,79")

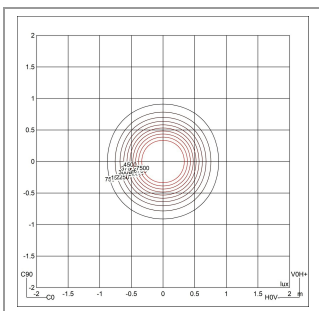
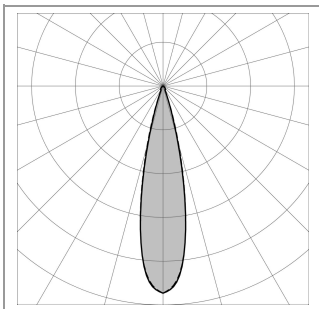
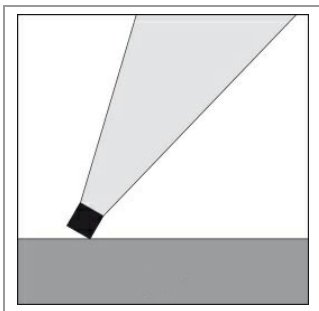
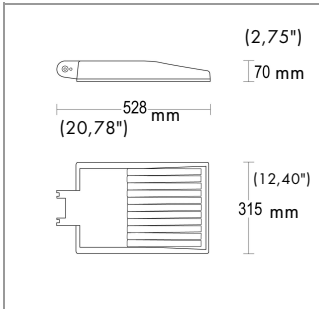
## ELECTRICAL:

Description and Model Code:	GH5486.SZMT300EN	1 x 105 W LED 3000 K CRI>80	1 x 14412 lm
	GH5486.SZMT400EN	1 x 105 W LED 4000 K CRI>80	1 x 14910 lm
	GH5486.NXMT400EN	1 x 123 W LED 4000 K CRI>80	1 x 17664 lm
	GH5486.NXMT300EN	1 x 123 W LED 3000 K CRI>80	1 x 17595 lm
	GH5486.LFMT400EN	1 x 52.5 W LED 4000 K CRI>80	1 x 8475 lm
	GH5486.NBMT400EN	1 x 66 W LED 4000 K CRI>80	1 x 10593 lm

Operating Power:	110-277 V / 50-60 Hz
Number of heads:	1
Number of circuits:	1
Driver positioning:	Integral
Control gear type:	Electronic
Cable entry:	Nylon cable gland M20 Ø 7/13 mm
Luminaire efficiency [lm/W]:	117.3 for model GH5486.SZMT300EN
	121.35 for model GH5486.SZMT400EN
	122.73 for model GH5486.NXMT400EN
	122.25 for model GH5486.NXMT300EN
	134.96 for model GH5486.LFMT400EN
	134.18 for model GH5486.NBMT400EN
Fixture consumption:	114.13 W for model GH5486.SZMT300EN / GH5486.SZMT400EN
	133.7 W for model GH5486.NXMT400EN / GH5486.NXMT300EN
	58.33 W for model GH5486.LFMT400EN
	73.33 W for model GH5486.NBMT400EN
Dimmer type:	Dimmable upon request
Daisy chain wiring:	External to the luminaire with IP68 connector available as an accessory
Cable type:	H07RN8-F 3x1mm2
Cord length [m]:	1
Emergency:	Not available
Ambient temperature operating range [°C]:	-20 °C ÷ +35 °C

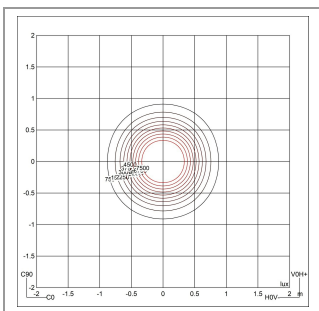
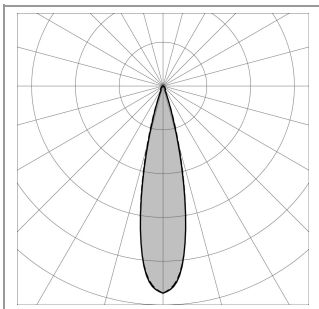
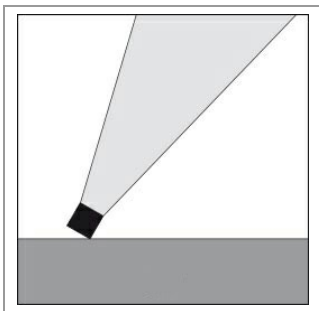
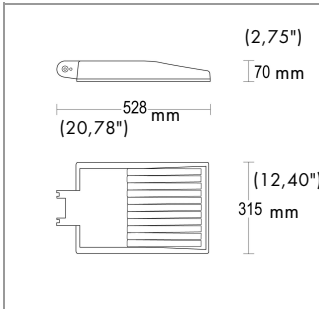
## OPTICAL:

Beam angle [°]	24°
Light distribution	Symmetrical medium flood (15° - 45°)
Beam directionability	Fixed optics
Swivel [°]	+/- 90°
Diffuser material	Sodium-calcium tempered glass
Diffuser finish	Transparent - extra clear
Optics	Anti UV technopolymer lens



**LIGHTING SOURCE for model GH5486.SZMT300EN**

Light source	LED
Type of bulb or LED	LED module
Light source [W]	105 W
Nominal LED emission [Lm]	14412 lm
Color temperature	3000 K
Color rendering index	CRI>80
Binning	Step MacAdam 3
Life Time LED [t]	100.000h - L90 - B10
LED voltage range [V]	47.0-55.2V
Current	700 mA
Luminaire emission [lm]	1 x 13387
LED / Bulb	Included


**LIGHTING SOURCE for model GH5486.SZMT400EN**

Light source	LED
Type of bulb or LED	LED module
Light source [W]	105 W
Nominal LED emission [Lm]	14910 lm
Color temperature	4000 K
Color rendering index	CRI>80
Binning	Step MacAdam 3
Life Time LED [t]	100.000h - L90 - B10
LED voltage range [V]	47.0-55.2V
Current	700 mA
Luminaire emission [lm]	1 x 13850
LED / Bulb	Included

**LIGHTING SOURCE for model GH5486.NXMT400EN**

Light source	LED
Type of bulb or LED	LED module
Light source [W]	123 W
Nominal LED emission [Lm]	17664 lm
Color temperature	4000 K
Color rendering index	CRI>80
Binning	Step MacAdam 3
Life Time LED [t]	100.000h - L90 - B10
LED voltage range [V]	47.0-55.2V
Current	900 mA
Luminaire emission [lm]	1 x 16408
LED / Bulb	Included

**LIGHTING SOURCE for model GH5486.NXMT300EN**

Light source	LED
Type of bulb or LED	LED module
Light source [W]	123 W
Nominal LED emission [Lm]	17595 lm
Color temperature	3000 K
Color rendering index	CRI>80
Binning	Step MacAdam 3
Life Time LED [t]	100.000h - L90 - B10
LED voltage range [V]	47.0-55.2V
Current	900 mA
Luminaire emission [lm]	1 x 16344
LED / Bulb	Included



## LIGHTING SOURCE for model GH5486.LFMT400EN

Light source	LED
Type of bulb or LED	LED module
Light source [W]	52.5 W
Nominal LED emission [Lm]	8475 lm
Color temperature	4000 K
Color rendering index	CRI>80
Binning	Step MacAdam 3
Life Time LED [t]	100.000h - L90 - B10
LED voltage range [V]	47.0-55.2V
Current	400 mA
Luminaire emission [lm]	1 x 7872
LED / Bulb	Included

## LIGHTING SOURCE for model GH5486.NBMT400EN

Light source	LED
Type of bulb or LED	LED module
Light source [W]	66 W
Nominal LED emission [Lm]	10593 lm
Color temperature	4000 K
Color rendering index	CRI>80
Binning	Step MacAdam 3
Life Time LED [t]	100.000h - L90 - B10
LED voltage range [V]	47.0-55.2V
Current	500 mA
Luminaire emission [lm]	1 x 9840
LED / Bulb	Included

## FINISH CODE:

- .05 Dark Grey (matt)
- .19 Light Grey

## ACCESSORIES:



IP 68 fast connector  
AC204



Wall bracket Maestro /  
Maximaestro Flat  
AC555

