

CONSTRUCTIVE & DIMENSIONAL:

Application field:	Series of spot lights to be mounted on pole system, wall, floor.
Construction material:	Die-cast aluminum EN AB 44100 highly resistant to oxidation, Glass
External screws:	Stainless steel A4-70 treated with highly antioxidant water-repellent lubricating solution
Gaskets:	Silicone gaskets
Length [mm]:	426mm(16,77")
Width [mm]:	314mm(12,36")
Height / Projection [mm]:	71mm(2,79")

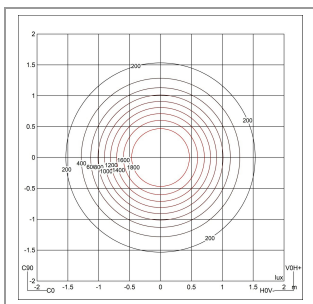
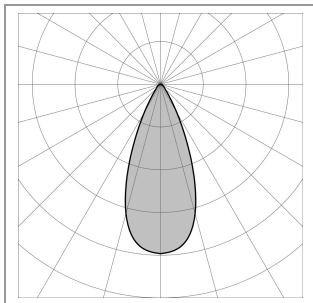
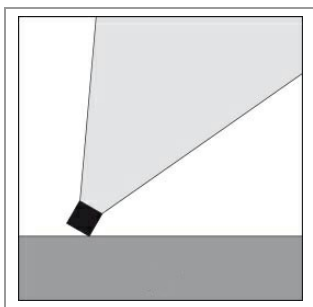
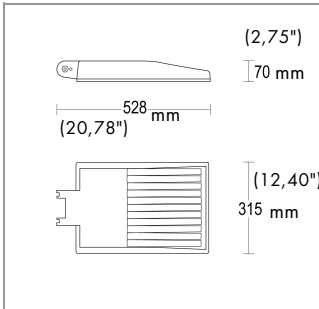
ELECTRICAL:

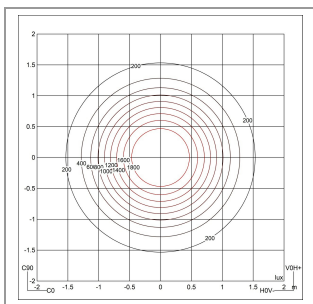
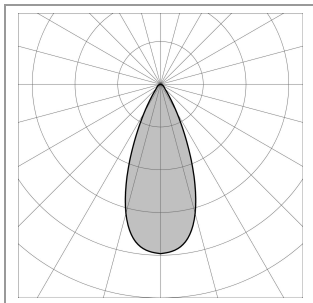
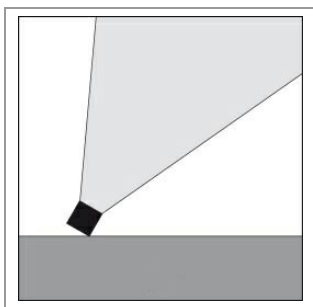
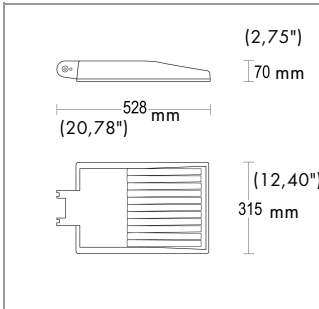
Description and Model Code:	GH5486.LFFT300EN	1 x 52.5 W LED 3000 K CRI>80	1 x 8196 lm
	GH5486.LFFT400EN	1 x 52.5 W LED 4000 K CRI>80	1 x 8475 lm
	GH5486.NBFT300EN	1 x 66 W LED 3000 K CRI>80	1 x 10245 lm
	GH5486.NBFT400EN	1 x 66 W LED 4000 K CRI>80	1 x 10593 lm
	GH5486.SZFT300EN	1 x 105 W LED 3000 K CRI>80	1 x 14412 lm
	GH5486.SZFT400EN	1 x 105 W LED 4000 K CRI>80	1 x 14910 lm
	GH5486.NXFT300EN	1 x 123 W LED 3000 K CRI>80	1 x 17595 lm
	GH5486.NXFT400EN	1 x 123 W LED 4000 K CRI>80	1 x 17664 lm

Operating Power:	110-277 V / 50-60 Hz
Number of heads:	1
Number of circuits:	1
Driver positioning:	Integral
Control gear type:	Electronic
Cable entry:	Nylon cable gland M20 Ø 7/13 mm
Luminaire efficiency [lm/W]:	136.37 for model GH5486.LFFT300EN 141.01 for model GH5486.LFFT400EN 135.6 for model GH5486.NBFT300EN 140.2 for model GH5486.NBFT400EN 122.56 for model GH5486.SZFT300EN 126.8 for model GH5486.SZFT400EN 127.74 for model GH5486.NXFT300EN 128.24 for model GH5486.NXFT400EN
Fixture consumption:	58.33 W for model GH5486.LFFT300EN / GH5486.LFFT400EN 73.33 W for model GH5486.NBFT300EN / GH5486.NBFT400EN 114.13 W for model GH5486.SZFT300EN / GH5486.SZFT400EN 133.7 W for model GH5486.NXFT300EN / GH5486.NXFT400EN
Dimmer type:	Dimmable upon request
Daisy chain wiring:	External to the luminaire with IP68 connector available as an accessory
Cable type:	H07RN8-F 3x1 mm2
Cord length [m]:	1
Emergency:	Not available
Ambient temperature operating range [°C]:	-20 °C ÷ +35 °C

OPTICAL:

Beam angle [°]	43°
Light distribution	Symmetrical wide beam (45° - 125°)
Beam directionability	Fixed optics
Swivel [°]	+/- 90°
Diffuser material	Sodium-calcium tempered glass
Diffuser finish	Transparent - extra clear
Optics	Anti UV technopolymer lens




LIGHTINGSOURCE for model GH5486.LFFT300EN

Light source	LED
Type of bulb or LED	LED module
Light source [W]	52.5 W
Nominal LED emission [Lm]	8196 lm
Color temperature	3000 K
Color rendering index	CRI>80
Binning	Step MacAdam 3
Life Time LED [t]	100.000h - L90 - B10
LED voltage range [V]	47.0-55.2V
Current	400 mA
Luminaire emission [lm]	1 x 7955
LED / Bulb	Included

LIGHTING SOURCE for model GH5486.LFFT400EN

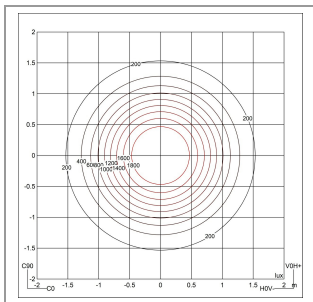
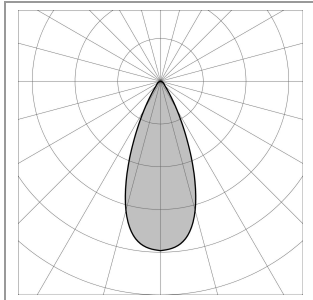
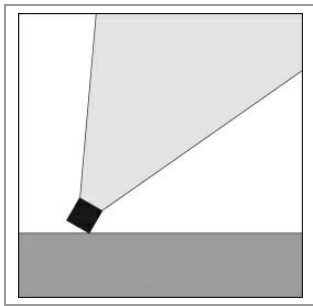
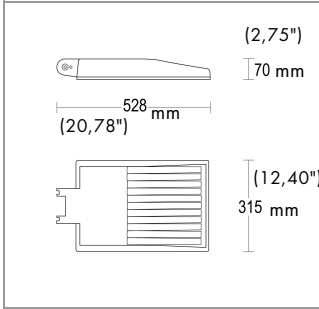
Light source	LED
Type of bulb or LED	LED module
Light source [W]	52.5 W
Nominal LED emission [Lm]	8475 lm
Color temperature	4000 K
Color rendering index	CRI>80
Binning	Step MacAdam 3
Life Time LED [t]	100.000h - L90 - B10
LED voltage range [V]	47.0-55.2V
Current	400 mA
Luminaire emission [lm]	1 x 8226
LED / Bulb	Included

LIGHTING SOURCE for model GH5486.NBFT300EN

Light source	LED
Type of bulb or LED	LED module
Light source [W]	66 W
Nominal LED emission [Lm]	10245 lm
Color temperature	3000 K
Color rendering index	CRI>80
Binning	Step MacAdam 3
Life Time LED [t]	100.000h - L90 - B10
LED voltage range [V]	47.0-55.2V
Current	500 mA
Luminaire emission [lm]	1 x 9944
LED / Bulb	Included

LIGHTING SOURCE for model GH5486.NBFT400EN

Light source	LED
Type of bulb or LED	LED module
Light source [W]	66 W
Nominal LED emission [Lm]	10593 lm
Color temperature	4000 K
Color rendering index	CRI>80
Binning	Step MacAdam 3
Life Time LED [t]	100.000h - L90 - B10
LED voltage range [V]	47.0-55.2V
Current	500 mA
Luminaire emission [lm]	1 x 10282
LED / Bulb	Included


LIGHTING SOURCE for model GH5486.SZFT300EN

Light source	LED
Type of bulb or LED	LED module
Light source [W]	105 W
Nominal LED emission [Lm]	14412 lm
Color temperature	3000 K
Color rendering index	CRI>80
Binning	Step MacAdam 3
Life Time LED [t]	100.000h - L90 - B10
LED voltage range [V]	47.0-55.2V
Current	700 mA
Luminaire emission [lm]	1 x 13988
LED / Bulb	Included

LIGHTING SOURCE for model GH5486.SZFT400EN

Light source	LED
Type of bulb or LED	LED module
Light source [W]	105 W
Nominal LED emission [Lm]	14910 lm
Color temperature	4000 K
Color rendering index	CRI>80
Binning	Step MacAdam 3
Life Time LED [t]	100.000h - L90 - B10
LED voltage range [V]	47.0-55.2V
Current	700 mA
Luminaire emission [lm]	1 x 14472
LED / Bulb	Included

LIGHTING SOURCE for model GH5486.NXFT300EN

Light source	LED
Type of bulb or LED	LED module
Light source [W]	123 W
Nominal LED emission [Lm]	17595 lm
Color temperature	3000 K
Color rendering index	CRI>80
Binning	Step MacAdam 3
Life Time LED [t]	100.000h - L90 - B10
LED voltage range [V]	47.0-55.2V
Current	900 mA
Luminaire emission [lm]	1 x 17078
LED / Bulb	Included

LIGHTING SOURCE for model GH5486.NXFT400EN

Light source	LED
Type of bulb or LED	LED module
Light source [W]	123 W
Nominal LED emission [Lm]	17664 lm
Color temperature	4000 K
Color rendering index	CRI>80
Binning	Step MacAdam 3
Life Time LED [t]	100.000h - L90 - B10
LED voltage range [V]	47.0-55.2V
Current	900 mA
Luminaire emission [lm]	1 x 17145
LED / Bulb	Included



FINISH CODE:

● .05 Dark Grey (matt)

● .19 Light Grey

ACCESSORIES:



IP 68 fast connector
AC204



Wall bracket Maestro /
Maximaestro Flat
AC555

