

**CONSTRUCTIVE & DIMENSIONAL:**

Application field:	Series of bollards with minimal design at indirect light emission available in various sizes and heights
Construction material:	Extruded aluminum EN AW-6060 T5 high resistance to oxidation
External screws:	Stainless steel A4-70 treated with highly antioxidant water-repellent lubricating solution
Gaskets:	Silicone gaskets
Diameter [mm]:	45mm(1,77")
Length [mm]:	47mm(1,85")
Height / Projection [mm]:	250mm(9,84")

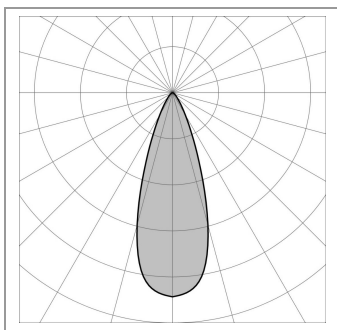
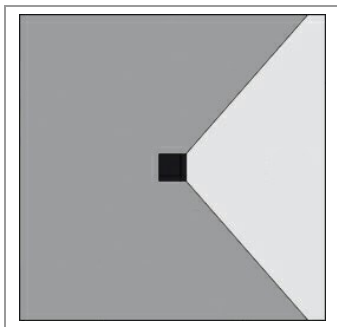
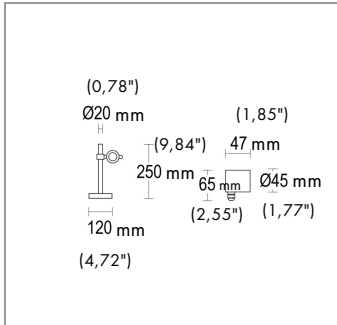
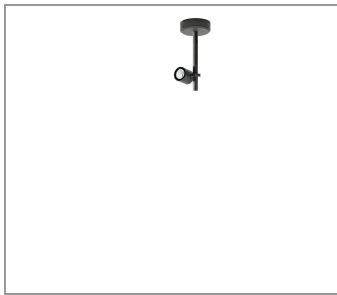
**ELECTRICAL:**

Description and Model Code:	GH1470.BGMT300EL	1 x 2.1 W LED 3000 K CRI>90	1 x 196 lm
	GH1470.BGMT400EL	1 x 2.1 W LED 4000 K CRI>90	1 x 218 lm
	GH1470.BGMT300EC	1 x 3.2 W LED 3000 K CRI>90	1 x 277 lm
	GH1470.BGMT400EC	1 x 3.2 W LED 4000 K CRI>90	1 x 307 lm

Operating Power:	24 V DC
Number of heads:	1
Number of circuits:	1
Driver positioning:	Remote
Control gear type:	Electronic
Cable entry:	Brass cable gland M12 Ø 3.5/7 mm
Luminaire efficiency [lm/W]:	44.47 for model GH1470.BGMT300EL
	49.46 for model GH1470.BGMT400EL
	41.24 for model GH1470.BGMT300EC
	45.71 for model GH1470.BGMT400EC
Fixture consumption:	2.8 W for model GH1470.BGMT300EL
	2.8 W for model GH1470.BGMT400EL
	4.27 W for model GH1470.BGMT300EC
	4.27 W for model GH1470.BGMT400EC
Dimmer type:	Dimmable based on driver used
Daisy chain wiring:	External to the luminaire with IP68 connector available as an accessory
Cable type:	FR5FOEM7-AD8 2x0.5mm2
Cord length [m]:	0.5
Control gear:	24 V DC included
Water-Lock system:	Included
Ambient temperature operating range [°C]:	-20 °C ÷ +35 °C

**OPTICAL:**

Beam angle [°]	36°
Light distribution	Symmetrical medium flood (15° - 45°)
Beam directionability	Adjustable
Swivel [°]	+/- 359°
Rotation [°]	+/- 359°
Diffuser material	Sodium-calcium tempered glass 4mm
Diffuser finish	Transparent - extra clear
Optics	Anti UV technopolymer lens



H(m)	Φ(m)	Lux Medi	Lux Max
5	0	0	0
4	0	0	0
3	0	0	0
2	0	0	0
1	0	0	0



**LIGHTING SOURCE for model GH1470.BGMT300EL**

Light source	LED
Type of bulb or LED	LED module
Light source [W]	2.1 W
Nominal LED emission [Lm]	196 lm
Color temperature	3000 K
Color rendering index	CRI>90
Binning	Step MacAdam 3
Life Time LED [t]	60.000h - L80 - B10
LED voltage range [V]	3V
Courrent	700 mA
Luminaire emission [lm]	1 x 125
LED / Bulb	Included

**LIGHTING SOURCE for model GH1470.BGMT400EL**

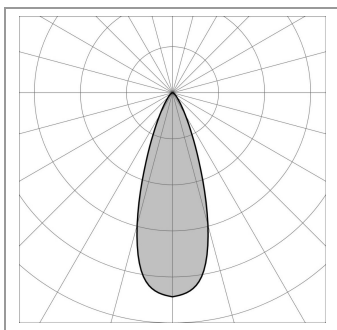
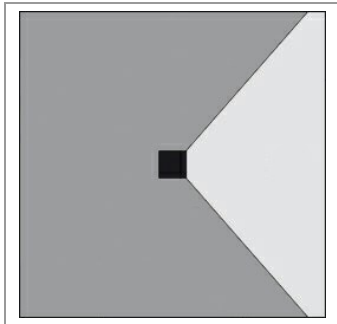
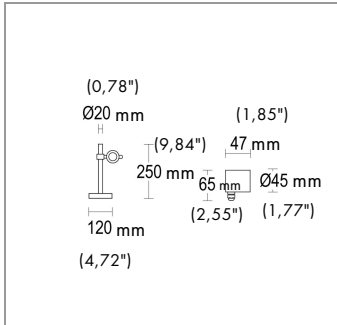
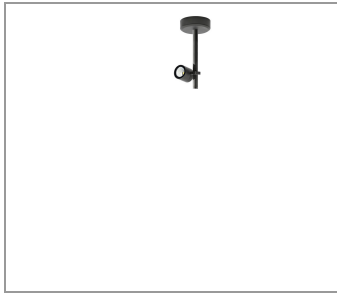
Light source	LED
Type of bulb or LED	LED module
Light source [W]	2.1 W
Nominal LED emission [Lm]	218 lm
Color temperature	4000 K
Color rendering index	CRI>90
Binning	Step MacAdam 3
Life Time LED [t]	60.000h - L80 - B10
LED voltage range [V]	3V
Courrent	700 mA
Luminaire emission [lm]	1 x 138
LED / Bulb	Included

**LIGHTING SOURCE for model GH1470.BGMT300EC**

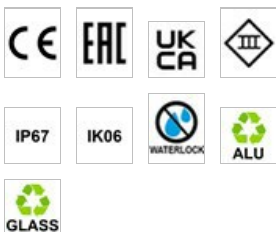
Light source	LED
Type of bulb or LED	LED module
Light source [W]	3.2 W
Nominal LED emission [Lm]	277 lm
Color temperature	3000 K
Color rendering index	CRI>90
Binning	Step MacAdam 3
Life Time LED [t]	60.000h - L80 - B10
LED voltage range [V]	3V
Courrent	1050 mA
Luminaire emission [lm]	1 x 176
LED / Bulb	Included

**LIGHTING SOURCE for model GH1470.BGMT400EC**

Light source	LED
Type of bulb or LED	LED module
Light source [W]	3.2 W
Nominal LED emission [Lm]	307 lm
Color temperature	4000 K
Color rendering index	CRI>90
Binning	Step MacAdam 3
LED voltage range [V]	3V
Courrent	1050 mA
Luminaire emission [lm]	1 x 195
LED / Bulb	Included



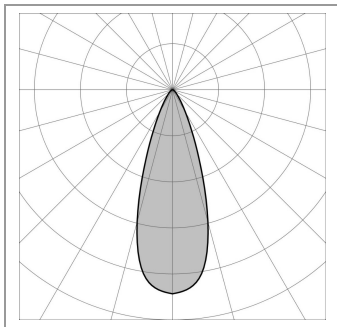
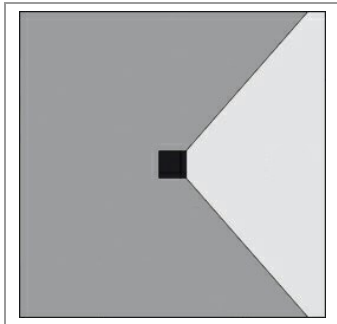
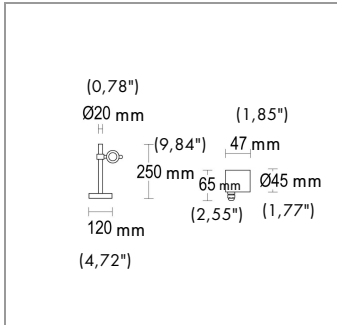
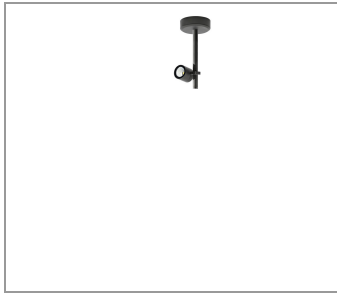
H(m)	Φ(m)	Lux Medi	Lux Max
5	0	0	0
4	0	0	0
3	0	0	0
2	0	0	0
1	0	0	0



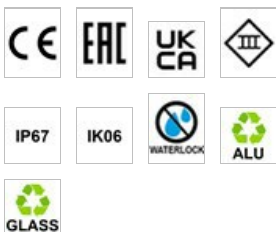
### FINISH CODE:

- .05 Dark Grey (matt)
- .19 Light Grey
- .80 Sand
- .01 White (matt)
- .02 Black (matt)
- .26 Luxury Bronze
- .45 Corten

### ACCESSORIES for model GH1470.BGMT300EL AND GH1470.BGMT400EL:



H(m)	Φ(m)	Lux Medi	Lux Max
5	0	0	0
4	0	0	0
3	0	0	0
2	0	0	0
1	0	0	0



### ACCESSORIES for model GH1470.BGMT300EC AND GH1470.BGMT400EC:

