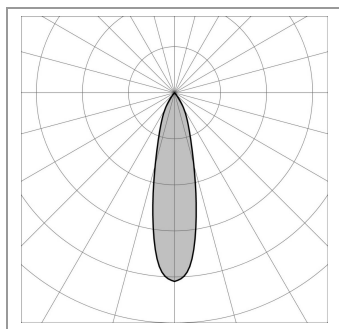
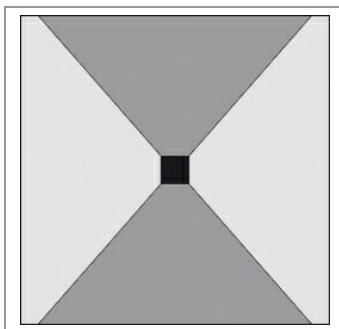
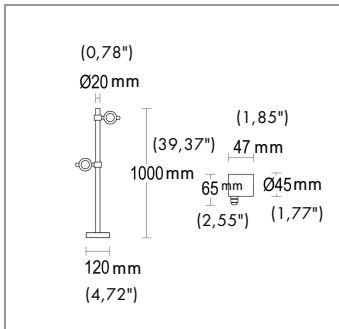


CONSTRUCTIVE & DIMENSIONAL:

Application field:	Series of bollards with minimal design at indirect light emission available in various sizes and heights
Construction material:	Extruded aluminum EN AW-6060 T5 high resistance to oxidation
External screws:	Stainless steel A4-70 treated with highly antioxidant water-repellent lubricating solution
Gaskets:	Silicone gaskets
Diameter [mm]:	45mm(1,77")
Length [mm]:	47mm(1,85")
Height / Projection [mm]:	1000mm(39,37")


ELECTRICAL:

Description and Model Code:	GH1473.AHMT300EL	2 x 6 W LED 3000 K CRI>90	2 x 845 lm
	GH1473.AHMT400EL	2 x 6 W LED 4000 K CRI>90	2 x 877 lm
	GH1473.AHMT300EC	2 x 6 W LED 3000 K CRI>90	2 x 845 lm
	GH1473.AHMT400EC	2 x 6 W LED 4000 K CRI>90	2 x 877 lm

Operating Power:	24 V DC
Number of heads:	2
Number of circuits:	1
Driver positioning:	Remote
Control gear type:	Electronic
Cable entry:	Brass cable gland M12 Ø 3.5/7 mm
Luminaire efficiency [lm/W]:	105.3 for model GH1473.AHMT300EL
	109.28 for model GH1473.AHMT400EL
	105.3 for model GH1473.AHMT300EC
	109.28 for model GH1473.AHMT400EC
Fixture consumption:	14.12 W for model GH1473.AHMT300EL
	14.12 W for model GH1473.AHMT400EL
	14.12 W for model GH1473.AHMT300EC
	14.12 W for model GH1473.AHMT400EC
Dimmer type:	Dimmable based on driver used
Daisy chain wiring:	External to the luminaire with IP68 connector available as an accessory
Cable type:	FR5FOEM7-AD8 2x0.5mm2
Cord length [m]:	0.5
Control gear:	24 V DC included
Water-Lock system:	Included
Ambient temperature operating range [°C]:	-20 °C ÷ +35 °C

OPTICAL:

Beam angle [°]	25°
Light distribution	Symmetrical medium flood (15° - 45°)
Beam directionability	Adjustable
Swivel [°]	+/- 359°
Rotation [°]	+/- 359°
Diffuser material	Sodium-calcium tempered glass 4mm
Diffuser finish	Transparent - extra clear
Optics	Reflector in anti-UV technopolymer with super pure aluminum metallization

H(m)	Φ(m)	Lux	Medi	Lux Max
5	0	0	0	0
4	0	0	0	0
3	0	0	0	0
2	0	0	0	0
1	0	0	0	0



LIGHTING SOURCE for model GH1473.AHMT300EL

Light source	LED
Type of bulb or LED	COB
Light source [W]	6 W
Nominal LED emission [Lm]	845 lm
Color temperature	3000 K
Color rendering index	CRI>90
Binning	Step MacAdam 3
LED voltage range [V]	18V
Courrent	350 mA
Luminaire emission [lm]	2 x 743
LED / Bulb	Included

LIGHTING SOURCE for model GH1473.AHMT400EL

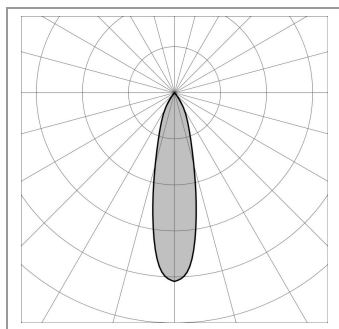
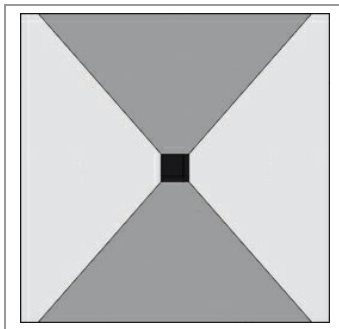
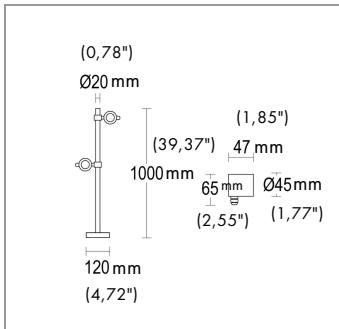
Light source	LED
Type of bulb or LED	COB
Light source [W]	6 W
Nominal LED emission [Lm]	877 lm
Color temperature	4000 K
Color rendering index	CRI>90
Binning	Step MacAdam 3
LED voltage range [V]	18V
Courrent	350 mA
Luminaire emission [lm]	2 x 771
LED / Bulb	Included

LIGHTING SOURCE for model GH1473.AHMT300EC

Light source	LED
Type of bulb or LED	COB
Light source [W]	6 W
Nominal LED emission [Lm]	845 lm
Color temperature	3000 K
Color rendering index	CRI>90
Binning	Step MacAdam 3
LED voltage range [V]	18V
Courrent	350 mA
Luminaire emission [lm]	2 x 743
LED / Bulb	Included

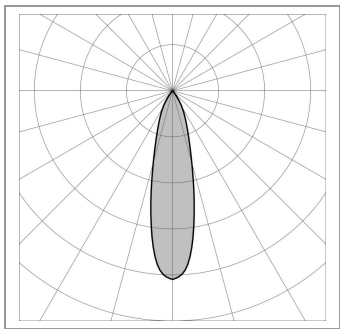
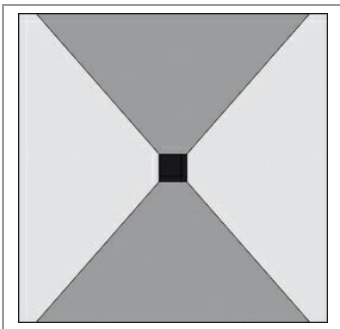
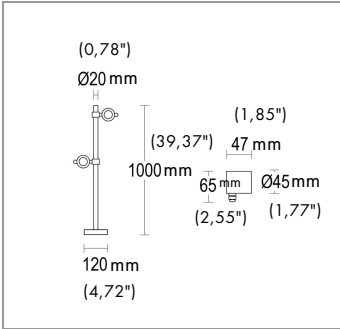
LIGHTING SOURCE for model GH1473.AHMT400EC

Light source	LED
Type of bulb or LED	COB
Light source [W]	6 W
Nominal LED emission [Lm]	877 lm
Color temperature	4000 K
Color rendering index	CRI>90
Binning	Step MacAdam 3
LED voltage range [V]	18V
Courrent	350 mA
Luminaire emission [lm]	2 x 771
LED / Bulb	Included



H(m)	Φ(m)	Lux	Medi	Lux Max
5	0	0	0	0
4	0	0	0	0
3	0	0	0	0
2	0	0	0	0
1	0	0	0	0






H(m)	Φ(m)	Lux	Medi	Lux Max
5	0	0	0	0
4	0	0	0	0
3	0	0	0	0
2	0	0	0	0
1	0	0	0	0




FINISH CODE:

- .01 White (matt)
- .02 Black (matt)
- .26 Luxury Bronze
- .02 Black (matt)
- .19 Light Grey


ACCESSORIES for model GH1473.AHMT300EL AND GH1473.AHMT400EL:




Stake 220mm
AC711




Rough-in housing x Pole
AC447




IP66 remote power supply
box
AC205-IP66




IP 68 fast connector
AC204




Driver LED IP67 24V DC
14W
AC146.0024014FN-67



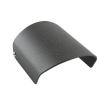
IP55 remote power supply
box
AC205-IP55



Driver LED DALI IP67 24V DC
24W
AC114.0024024FD-67



Driver LED IP67 24V DC
201W DALI
AC113.0024201FD-67



Hood Maxisegno - Point
Spot 3
AC648

ACCESSORIES for model GH1473.AHMT300EC AND GH1473.AHMT400EC:



Stake 220mm
AC711



Rough-in housing x Pole
AC447



IP66 remote power supply
box
AC205-IP66



IP 68 fast connector
AC204



IP55 remote power supply
box
AC205-IP55



Hood Maxisegno - Point
Spot 3
AC648