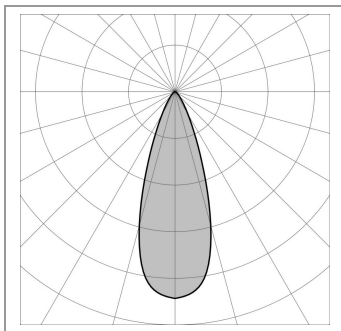
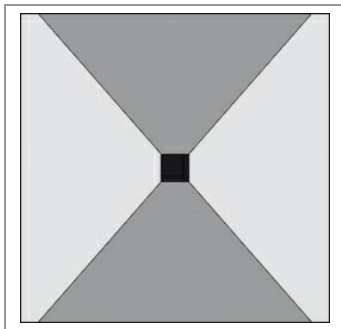
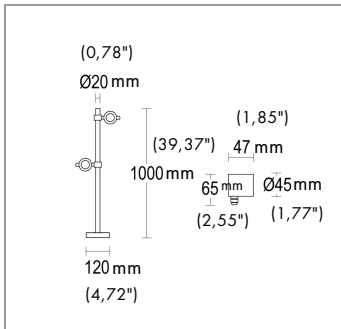


CONSTRUCTIVE & DIMENSIONAL:

Application field:	Series of bollards with minimal design at indirect light emission available in various sizes and heights
Construction material:	Extruded aluminum EN AW-6060 T5 high resistance to oxidation
External screws:	Stainless steel A4-70 treated with highly antioxidant water-repellent lubricating solution
Gaskets:	Silicone gaskets
Diameter [mm]:	45mm(1,77")
Length [mm]:	47mm(1,85")
Height / Projection [mm]:	1000mm(39,37")


ELECTRICAL:

Description and Model Code:	GH1473.BGMT300EL	2 x 2.1 W LED 3000 K CRI>90	2 x 196 lm
	GH1473.BGMT400EL	2 x 2.1 W LED 4000 K CRI>90	2 x 218 lm
	GH1473.BGMT300EC	2 x 3.2 W LED 3000 K CRI>90	2 x 277 lm
	GH1473.BGMT400EC	2 x 3.2 W LED 4000 K CRI>90	2 x 307 lm

Operating Power:	24 V DC
Number of heads:	2
Number of circuits:	1
Driver positioning:	Remote
Control gear type:	Electronic
Cable entry:	Brass cable gland M12 Ø 3.5/7 mm
Luminaire efficiency [lm/W]:	44.47 for model GH1473.BGMT300EL 49.46 for model GH1473.BGMT400EL 46.74 for model GH1473.BGMT300EC 51.81 for model GH1473.BGMT400EC
Fixture consumption:	5.6 W for model GH1473.BGMT300EL 5.6 W for model GH1473.BGMT400EL 7.53 W for model GH1473.BGMT300EC 7.53 W for model GH1473.BGMT400EC
Dimmer type:	Dimmable based on driver used
Daisy chain wiring:	External to the luminaire with IP68 connector available as an accessory
Cable type:	FR5FOEM7-AD8 2x0.5mm2
Cord length [m]:	0.5
Control gear:	24 V DC included
Water-Lock system:	Included
Ambient temperature operating range [°C]:	-20 °C ÷ +35 °C

OPTICAL:

Beam angle [°]	36°
Light distribution	Symmetrical medium flood (15° - 45°)
Beam directionability	Adjustable
Swivel [°]	+/- 359°
Rotation [°]	+/- 359°
Diffuser material	Sodium-calcium tempered glass 4mm
Diffuser finish	Transparent - extra clear
Optics	Anti UV technopolymer lens

H(m)	Φ(m)	Lux	Medi	Lux Max
5	0	0	0	0
4	0	0	0	0
3	0	0	0	0
2	0	0	0	0
1	0	0	0	0



LIGHTING SOURCE for model GH1473.BGMT300EL

Light source	LED
Type of bulb or LED	LED module
Light source [W]	2.1 W
Nominal LED emission [Lm]	196 lm
Color temperature	3000 K
Color rendering index	CRI>90
Binning	Step MacAdam 3
Life Time LED [t]	60.000h - L80 - B10
LED voltage range [V]	3V
Courrent	700 mA
Luminaire emission [lm]	2 x 125
LED / Bulb	Included

LIGHTING SOURCE for model GH1473.BGMT400EL

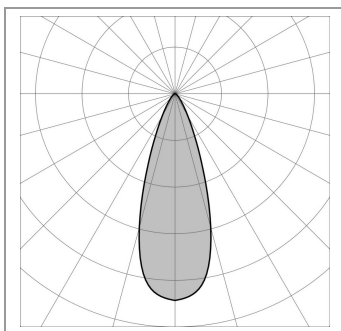
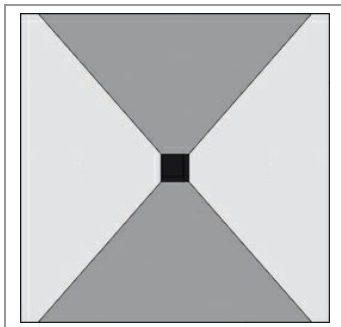
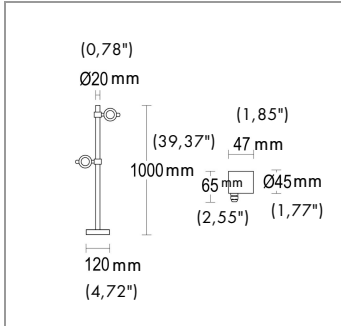
Light source	LED
Type of bulb or LED	LED module
Light source [W]	2.1 W
Nominal LED emission [Lm]	218 lm
Color temperature	4000 K
Color rendering index	CRI>90
Binning	Step MacAdam 3
Life Time LED [t]	60.000h - L80 - B10
LED voltage range [V]	3V
Courrent	700 mA
Luminaire emission [lm]	2 x 138
LED / Bulb	Included

LIGHTING SOURCE for model GH1473.BGMT300EC

Light source	LED
Type of bulb or LED	LED module
Light source [W]	3.2 W
Nominal LED emission [Lm]	277 lm
Color temperature	3000 K
Color rendering index	CRI>90
Binning	Step MacAdam 3
Life Time LED [t]	60.000h - L80 - B10
LED voltage range [V]	3V
Courrent	1050 mA
Luminaire emission [lm]	2 x 176
LED / Bulb	Included

LIGHTING SOURCE for model GH1473.BGMT400EC

Light source	LED
Type of bulb or LED	LED module
Light source [W]	3.2 W
Nominal LED emission [Lm]	307 lm
Color temperature	4000 K
Color rendering index	CRI>90
Binning	Step MacAdam 3
LED voltage range [V]	3V
Courrent	1050 mA
LED voltage range [V]	3V
Luminaire emission [lm]	2 x 195
LED / Bulb	Included



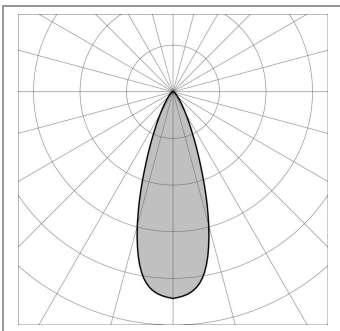
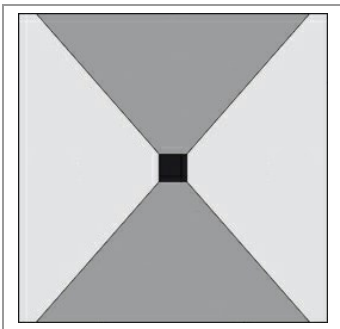
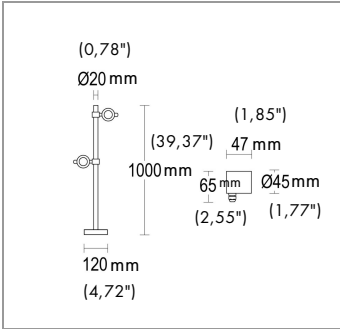
H(m)	Φ(m)	Lux	Medi	Lux Max
5	0	0	0	0
4	0	0	0	0
3	0	0	0	0
2	0	0	0	0
1	0	0	0	0





FINISH CODE:

- .01 White (matt)
- .02 Black (matt)
- .26 Luxury Bronze
- .02 Black (matt)
- .19 Light Grey



H(m)	Φ(m)	Lux	Medi	Lux Max
5	0	0	0	0
4	0	0	0	0
3	0	0	0	0
2	0	0	0	0
1	0	0	0	0



ACCESSORIES for model GH1473.BGMT300EL AND GH1473.BGMT400EL:

Stake 220mm
AC711

Rough-in housing x Pole
AC447

IP66 remote power supply
box
AC205-IP66

IP 68 fast connector
AC204

Driver LED IP67 24V DC
14W
AC146.0024014FN-67

IP55 remote power supply
box
AC205-IP55

Driver LED DALI IP67 24V DC
24W
AC114.0024024FD-67

Driver LED IP67 24V DC
201W DALI
AC113.0024201FD-67

Hood Maxisegno - Point
Spot 3
AC648

ACCESSORIES for model GH1473.BGMT300EC AND GH1473.BGMT400EC:

Stake 220mm
AC711

Rough-in housing x Pole
AC447

IP66 remote power supply
box
AC205-IP66

IP 68 fast connector
AC204

Driver LED IP67 1050mA
14W
AC085.1050014FN-67

IP55 remote power supply
box
AC205-IP55

Hood Maxisegno - Point
Spot 3
AC648

