

**CONSTRUCTIVE & DIMENSIONAL:**

Application field:	Series of bollards with minimal design at indirect light emission available in various sizes and heights
Construction material:	Extruded aluminum EN AW-6060 T5 high resistance to oxidation
External screws:	Stainless steel A4-70 treated with highly antioxidant water-repellent lubricating solution
Diameter [mm]:	70mm(2,75")
Length [mm]:	70mm(2,75")
Height / Projection [mm]:	1000mm(39,37")

**ELECTRICAL:**

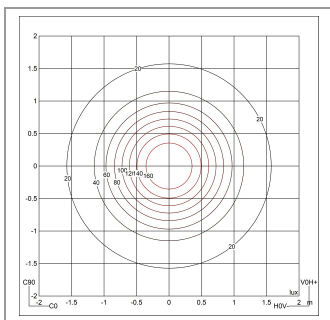
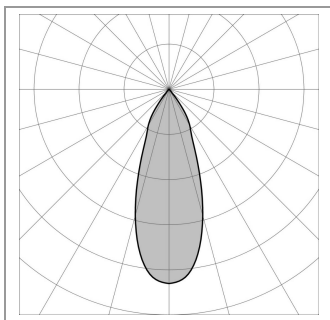
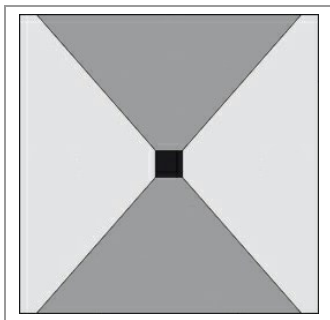
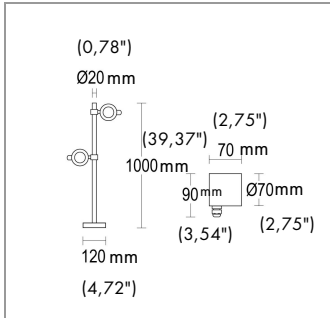
Description and Model Code:	GH1477.LVMT300EN	2 x 8 W LED 3000 K CRI>80	2 x 656 lm
	GH1477.LVMT400EN	2 x 8 W LED 4000 K CRI>80	2 x 690 lm
Operating Power:	110-277 V / 50-60 Hz		
Number of heads:	2		
Number of circuits:	1		
Driver positioning:	Integral		
Luminaire efficiency [lm/W]:	60.88 for model GH1477.LVMT300EN 64.03 for model GH1477.LVMT400EN		
Fixture consumption:	18.82 W		
Control gear type:	Electronic		
Dimmer type:	Dimmable trailing edge. It is recommended to check compatibility with the dimmer to be used.		
Cable entry:	Brass cable gland M12 Ø 3.5/7 mm		
Daisy chain wiring:	External to the luminaire with IP68 connector available as an accessory		
Cable type:	H05RN-F 3x1mm2		
Cord length [m]:	0.5		
Ambient temperature operating range [°C]:	-20 °C ÷ +35 °C		

**OPTICAL:**

Beam angle [°]	38°
Light distribution	Symmetrical medium flood (15° - 45°)
Beam directionability	Adjustable
Swivel [°]	+/- 359°
Rotation [°]	+/- 359°
Diffuser material	Sodium-calcium tempered glass 4mm
Diffuser finish	Transparent - extra clear
Optics	Reflector in anti-UV technopolymer with super pure aluminum metallization

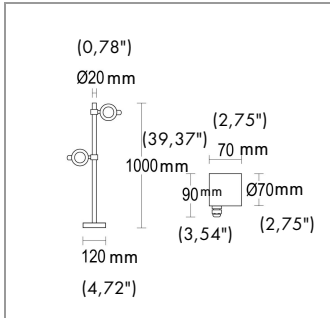
**LIGHTING SOURCE for model GH1477.LVMT300EN**

Light source	LED
Type of bulb or LED	DOB
Light source [W]	8 W
Nominal LED emission [lm]	656 lm
Color temperature	3000 K
Color rendering index	CRI>80
LED voltage range [V]	110-277 V
Luminaire emission [lm]	2 x 573
LED / Bulb	Included



### LIGHTING SOURCE for model GH1477.LVMT400EN

Light source	LED
Type of bulb or LED	DOB
Light source [W]	8 W
Nominal LED emission [Lm]	690 lm
Color temperature	4000 K
Color rendering index	CRI>80
LED voltage range [V]	220-240V
Luminaire emission [lm]	2 x 603
LED / Bulb	Included



### FINISH CODE:

- .02 Black (matt)
- .19 Light Grey
- .26 Luxury Bronze
- .01 White (matt)
- .02 Black (matt)

### ACCESSORIES:

