

CONSTRUCTIVE & DIMENSIONAL:

Application field:	Series of spot lights to be mounted on floor, wall, spike, tree with belt or on a pole system
Construction material:	Extruded aluminum EN AW-6060 T5 high resistance to oxidation, Die-cast aluminum EN AB 44 100 highly resistant to oxidation
External screws:	Stainless steel A4-70 treated with highly antioxidant water-repellent lubricating solution
Gaskets:	Silicone gaskets
Length [mm]:	90mm(3,54")
Width [mm]:	90mm(3,54")
Height / Projection [mm]:	143mm(5,62")

ELECTRICAL:

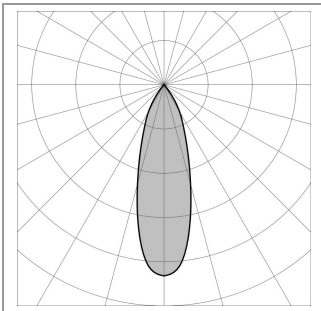
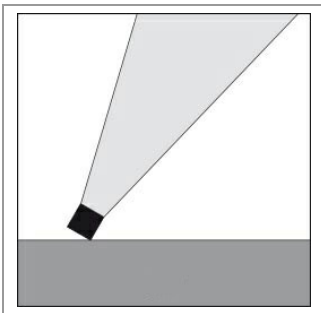
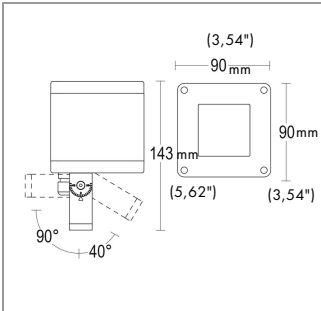
Description and Model Code:	GH1 132.AHFT300EN 1 132.AHM.T	1 x 7 W LED 3000 K CRI>90	1 x 871 lm
Operating Power:	110-277 V / 50-60 Hz		
Number of heads:	1		
Number of circuits:	1		
Driver positioning:	Integral		
Luminaire efficiency [lm/W]:	75.54		
Fixture consumption:	8.24 W		
Control gear type:	Electronic		
Dimmer type:	Not dimmable		
Cable entry:	Brass cable gland M16 Ø 5/10 mm		
Daisy chain wiring:	External to the luminaire with IP68 connector available as an accessory		
Cable type:	H07RN8-F 3x1mm2		
Cord length [m]:	0.5		
Emergency:	Not available		
Ambient temperature operating range [°C]:	-20 °C ÷ +35 °C		

OPTICAL:

Beam angle [°]	32°
Light distribution	Symmetrical wide beam (45° - 125°)
Beam directionability	Adjustable
Swivel [°]	40° - 90°
Diffuser material	Sodium-calcium tempered glass 4mm
Diffuser finish	Transparent - extra clear
Optics	Reflector in anti-UV technopolymer with super pure aluminum metallization

LIGHTING SOURCE for model GH1 132.AHFT300EN 1 132.AHM.T

Light source	LED
Type of bulb or LED	LED
Light source [W]	7 W
Nominal LED emission [Lm]	871 lm
Color temperature	3000 K
Color rendering index	CRI>90
Life Time LED [t]	100.000h - L80 - B10
LED voltage range [V]	31.2-36.8V
Current	200 mA
Luminaire emission [lm]	1 x 622
LED / Bulb	Included









H(m)	φ (m)	lux med. 3000 K	lux max. 3000 K
5	2.9	37	60
4	2.3	58	94
3	1.7	102	167
2	1.1	231	376
1	0.6	922	1505



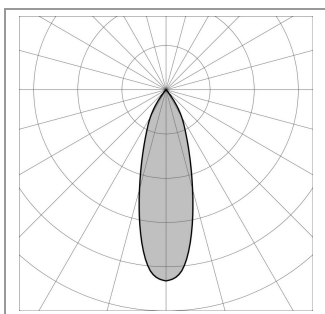
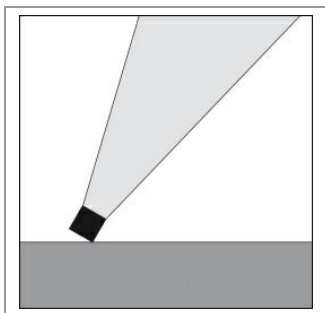
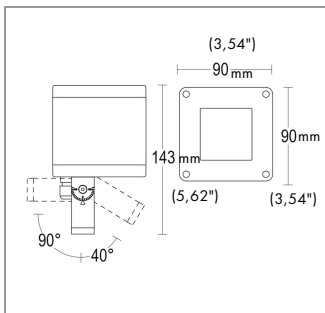
PACKAGING & WEIGHT:

Gross weight [kg]	1.1
Packaging width [mm]	160mm(7,87")
Packaging length [mm]	160mm(6,29")
Packaging height [mm]	200mm(3,54")

FINISH CODE:

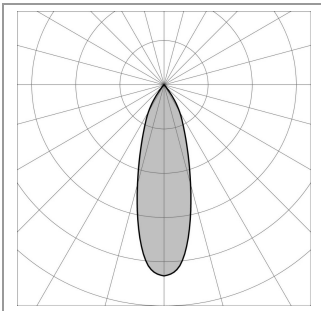
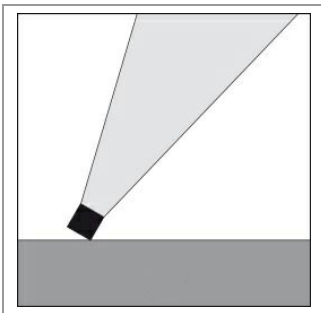
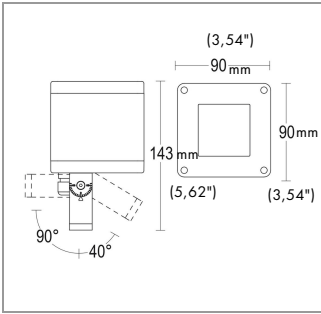
 .05 Dark Grey (matt)	 .19 Light Grey	 .80 Sand
 .01 White (matt)	 .02 Black (matt)	 .45 Corten

ACCESSORIES:



H(m)	φ (m)	lux med. 3000 K	lux max. 3000 K
5	2.9	37	60
4	2.3	58	94
3	1.7	102	167
2	1.1	231	376
1	0.6	922	1505





H(m)	φ (m)	lux	
		med. 4000 K	max. 4000 K
5	2.9	37	61
4	2.3	59	96
3	1.7	104	170
2	1.1	234	382
1	0.6	937	1529


CONSTRUCTIVE & DIMENSIONAL:

Application field:	Series of spot lights to be mounted on floor, wall, spike, tree with belt or on a pole system
Construction material:	Extruded aluminum EN AW-6060 T5 high resistance to oxidation, Die-cast aluminum EN AB 44 100 highly resistant to oxidation
External screws:	Stainless steel A4-70 treated with highly antioxidant water-repellent lubricating solution
Gaskets:	Silicone gaskets
Length [mm]:	90mm(3,54")
Width [mm]:	90mm(3,54")
Height / Projection [mm]:	143mm(5,62")

ELECTRICAL:

Description and Model Code:	GH1132.AHFT400EN 1132.ALM.T	1 x 7 W LED 4000 K CRI>90 1 x 885 lm
Operating Power:	110-277 V / 50-60 Hz	
Number of heads:	1	
Number of circuits:	1	
Driver positioning:	Integral	
Luminaire efficiency [lm/W]:	76.75	
Fixture consumption:	8.24 W	
Control gear type:	Electronic	
Dimmer type:	Not dimmable	
Cable entry:	Brass cable gland M16 Ø 5/10 mm	
Daisy chain wiring:	External to the luminaire with IP68 connector available as an accessory	
Cable type:	H07RN8-F 3x1mm2	
Cord length [m]:	0.5	
Emergency:	Not available	
Ambient temperature operating range [°C]:	-20 °C ÷ +35 °C	

OPTICAL:

Beam angle [°]	32°
Light distribution	Symmetrical wide beam (45° - 125°)
Beam directionability	Adjustable
Swivel [°]	40° - 90°
Diffuser material	Sodium-calcium tempered glass 4mm
Diffuser finish	Transparent - extra clear
Optics	Reflector in anti-UV technopolymer with super pure aluminum metallization







LIGHTING SOURCE for model GH1132.AHFT400EN 1132.ALM.T

Light source	LED
Type of bulb or LED	LED
Light source [W]	7 W
Nominal LED emission [Lm]	885 lm
Color temperature	4000 K
Color rendering index	CRI>90
Binning	Step MacAdam 3
Life Time LED [t]	100.000h - L80 - B10
LED voltage range [V]	31.2-36.8V
Current	200 mA
Luminaire emission [lm]	1 x 632
LED / Bulb	Included

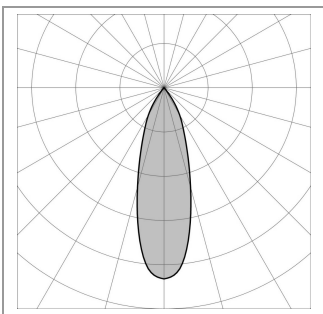
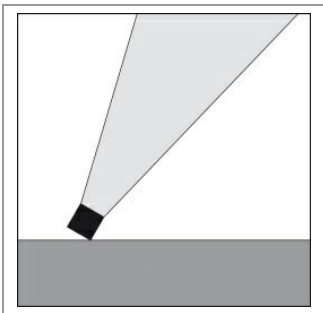
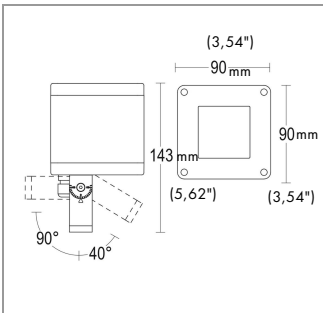
PACKAGING & WEIGHT:

Gross weight [kg]	1.1
Packaging width [mm]	160mm(7,87")
Packaging length [mm]	160mm(6,29")
Packaging height [mm]	200mm(3,54")

FINISH CODE:

 .05 Dark Grey (matt)	 .19 Light Grey	 .80 Sand
 .01 White (matt)	 .02 Black (matt)	 .45 Corten

ACCESSORIES:



H(m)	φ (m)	lux med. 4000 K	lux max. 4000 K
5	2.9	37	61
4	2.3	59	96
3	1.7	104	170
2	1.1	234	382
1	0.6	937	1529

