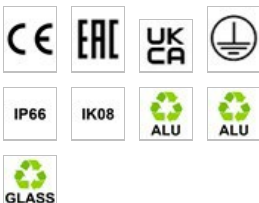


H(m)	φ (m)	lux med. 3000 K	lux max. 3000 K
5	6.3	13	19
4	5.0	20	30
3	3.8	36	54
2	2.5	81	121
1	1.3	324	483


CONSTRUCTIVE & DIMENSIONAL:

Application field:	Series of spot lights to be mounted on floor, wall, spike, tree with belt or on a pole system
Construction material:	Extruded aluminum EN AW-6060 T5 high resistance to oxidation, Die-cast aluminum EN AB 44100 highly resistant to oxidation
External screws:	Stainless steel A4-70 treated with highly antioxidant water-repellent lubricating solution
Gaskets:	Silicone gaskets
Length [mm]:	90mm(3,54")
Width [mm]:	90mm(3,54")
Height / Projection [mm]:	143mm(5,62")

ELECTRICAL:

Description and Model Code:	GH1 132.ETYT300EN	1 x 5 W LED 3000 K CRI>90	1 x 540 lm
Operating Power:	110-277 V / 50-60 Hz		
Number of heads:	1		
Number of circuits:	1		
Driver positioning:	Integral		
Luminaire efficiency [lm/W]:	68.41		
Fixture consumption:	5.88 W		
Control gear type:	Electronic		
Dimmer type:	Not dimmable		
Cable entry:	Brass cable gland M16 Ø 5/10 mm		
Daisy chain wiring:	External to the luminaire with IP68 connector available as an accessory		
Cable type:	H07RN8-F 3x1mm ²		
Cord length [m]:	0.5		
Emergency:	Not available		
Ambient temperature operating range [°C]:	-20 °C ÷ +35 °C		

OPTICAL:

Beam angle [°]	44° x 64°
Light distribution	2 Axis symmetrical
Beam directionability	Adjustable
Swivel [°]	40° - 90°
Diffuser material	Sodium-calcium tempered glass 4mm
Diffuser finish	Transparent - extra clear
Optics	Reflector in anti-UV technopolymer with super pure aluminum metallization
Secondary optics	Black anti UV technopolymer reflector

LIGHTING SOURCE for model GH1 132.ETYT300EN

Light source	LED
Type of bulb or LED	LED module
Light source [W]	5 W
Nominal LED emission [lm]	540 lm
Color temperature	3000 K
Color rendering index	CRI>90
Binning	Step MacAdam 3
LED voltage range [V]	24V
Current	200 mA
Luminaire emission [lm]	1 x 402
LED / Bulb	Included

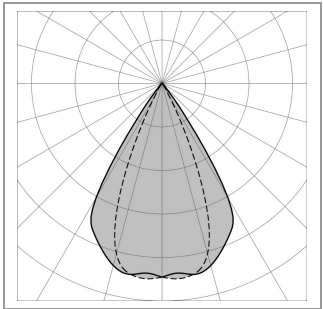
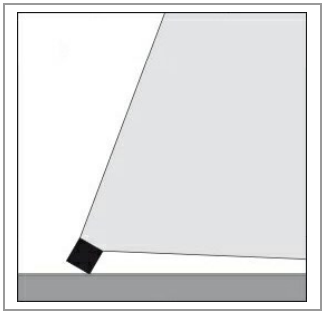
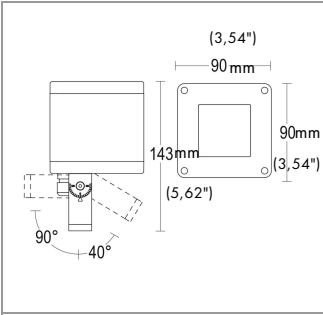


MICROFARO SPOT LENS 90 44° x 64°

FINISH CODE:

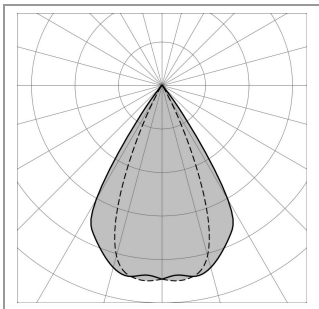
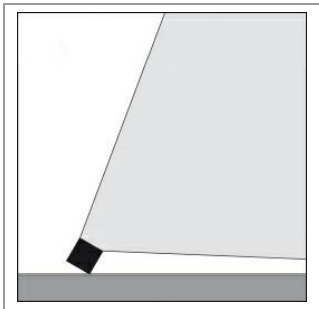
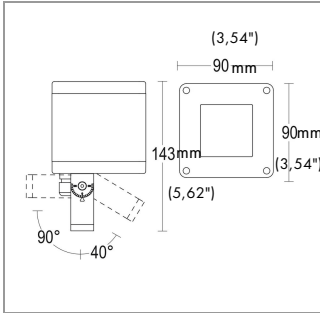
- .05 Dark Grey (matt)
- .19 Light Grey
- .80 Sand
- .01 White (matt)
- .02 Black (matt)
- .45 Corten

ACCESSORIES:

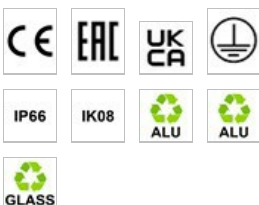


H(m)	φ (m)	lux med. 3000 K	lux max. 3000 K
5	6.3	13	19
4	5.0	20	30
3	3.8	36	54
2	2.5	81	121
1	1.3	324	483





H(m)	φ (m)	lux med. 4000 K	lux max. 4000 K
5	6.3	14	21
4	5.0	22	33
3	3.8	40	59
2	2.5	89	132
1	1.3	356	530


CONSTRUCTIVE & DIMENSIONAL:

Application field:	Series of spot lights to be mounted on floor, wall, spike, tree with belt or on a pole system
Construction material:	Extruded aluminum EN AW-6060 T5 high resistance to oxidation, Die-cast aluminum EN AB 44100 highly resistant to oxidation
External screws:	Stainless steel A4-70 treated with highly antioxidant water-repellent lubricating solution
Gaskets:	Silicone gaskets
Length [mm]:	90mm(3,54")
Width [mm]:	90mm(3,54")
Height / Projection [mm]:	143mm(5,62")

ELECTRICAL:

Description and Model Code:	GH1 132.ETYT400EN	1 x 5 W LED 4000 K CRI>90	1 x 592 lm
Operating Power:	110-277 V / 50-60 Hz		
Number of heads:	1		
Number of circuits:	1		
Driver positioning:	Integral		
Luminaire efficiency [lm/W]:	75		
Fixture consumption:	5.88 W		
Control gear type:	Electronic		
Dimmer type:	Not dimmable		
Cable entry:	Brass cable gland M16 Ø 5/10 mm		
Daisy chain wiring:	External to the luminaire with IP68 connector available as an accessory		
Cable type:	H07RN8-F 3x1mm2		
Cord length [m]:	0.5		
Emergency:	Not available		
Ambient temperature operating range [°C]:	-20 °C ÷ +35 °C		

OPTICAL:

Beam angle [°]	44° x 64°
Light distribution	2 Axis symmetrical
Beam directionability	Adjustable
Swivel [°]	40° - 90°
Diffuser material	Sodium-calcium tempered glass 4mm
Diffuser finish	Transparent - extra clear
Optics	Reflector in anti-UV technopolymer with super pure aluminum metallization
Secondary optics	Black anti UV technopolymer reflector

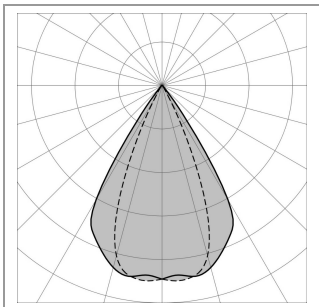
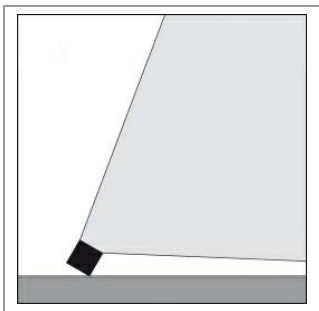
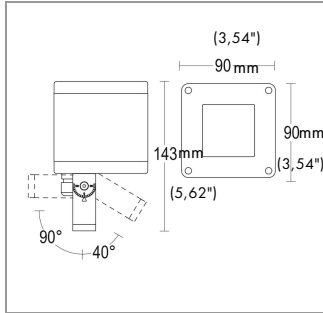
LIGHTING SOURCE for model GH1 132.ETHT400EN

Light source	LED
Type of bulb or LED	LED module
Light source [W]	5 W
Nominal LED emission [Lm]	592 lm
Color temperature	4000 K
Color rendering index	CRI>90
Binning	Step MacAdam 3
LED voltage range [V]	24V
Current	200 mA
Luminaire emission [lm]	1 x 441
LED / Bulb	Included

FINISH CODE:

- .05 Dark Grey (matt)
- .01 White (matt)
- .19 Light Grey
- .02 Black (matt)
- .80 Sand
- .45 Corten

ACCESSORIES:



H(m)	φ (m)	lux med. 4000 K	lux max. 4000 K
5	6.3	14	21
4	5.0	22	33
3	3.8	40	59
2	2.5	89	132
1	1.3	356	530

