

CONSTRUCTIVE & DIMENSIONAL:

Application field:	Series of spot lights to be mounted on pole system, wall, floor.
Construction material:	Die-cast aluminum EN AB 44100 highly resistant to oxidation, Glass
External screws:	Stainless steel A4-70 treated with highly antioxidant water-repellent lubricating solution
Gaskets:	Silicone gaskets

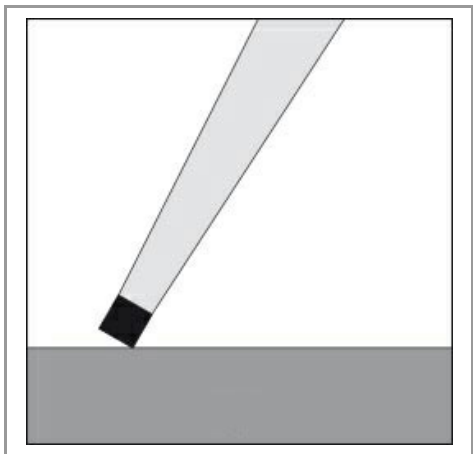
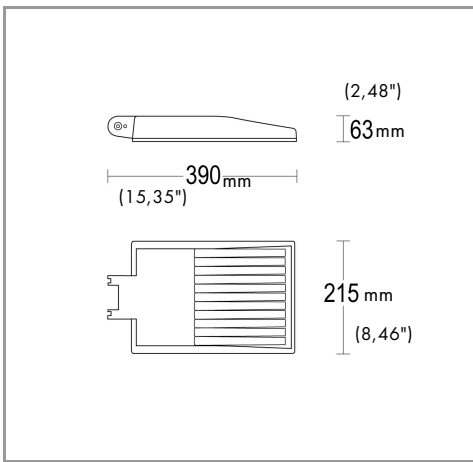
ELECTRICAL:

Description and Model Code:	GH5484.FLNT300EN	1 x 46.5 W LED 3000 K CRI>80	1 x 7236 lm
	GH5484.FLNT400EN	1 x 46.5 W LED 4000 K CRI>80	1 x 7458 lm
	GH5484.MMNT300EN	1 x 61.5 W LED 3000 K CRI>80	1 x 9303 lm
	GH5484.MMNT400EN	1 x 61.5 W LED 4000 K CRI>80	1 x 9591 lm
	GH5484.NHNT300EN	1 x 33 W LED 3000 K CRI>80	1 x 5169 lm
	GH5484.NHNT400EN	1 x 33 W LED 4000 K CRI>80	1 x 5328 lm

Operating Power:	110-277 V / 50-60 Hz
Number of heads:	1
Number of circuits:	1
Driver positioning:	Integral
Control gear type:	Electronic
Cable entry:	Nylon cable gland M20 Ø 7/13 mm
Luminaire efficiency [lm/W]:	117.36 for model GH5484.FLNT300EN
	120.96 for model GH5484.FLNT400EN
	116.67 for model GH5484.MMNT300EN
	120.29 for model GH5484.MMNT400EN
	118.13 for model GH5484.NHNT300EN
	121.76 for model GH5484.NHNT400EN
Fixture consumption:	52.84 W for model GH5484.FLNT300EN / GH5484.FLNT400EN
	68.33 W for model GH5484.MMNT300EN / GH5484.MMNT400EN
	37.5 W for model GH5484.NHNT300EN / GH5484.NHNT400EN
Dimmer type:	Dimmable upon request
Daisy chain wiring:	External to the luminaire with IP68 connector available as an accessory
Cable type:	H07RN8-F 3x1mm2
Cord length [m]:	1
Emergency:	Not available
Ambient temperature operating range [°C]:	-20 °C ÷ +35 °C

OPTICAL:

Beam angle [°]	9°
Light distribution	Symmetrical narrow beam (<=15°)
Beam directionability	Fixed optics
Swivel [°]	+/- 90°
Diffuser material	Sodium-calcium tempered glass
Diffuser finish	Transparent - extra clear
Optics	Anti UV technopolymer lens



LIGHTING SOURCE for model GH5484.FLNT300EN

Light source	LED
Type of bulb or LED	LED module
Light source [W]	46.5 W
Nominal LED emission [Lm]	7236 lm
Color temperature	3000 K
Color rendering index	CRI>80
Binning	Step MacAdam 3
Life Time LED [t]	100.000h - L90 - B10
LED voltage range [V]	21V
Courrent	700 mA
Luminaire emission [lm]	1 x 6201
LED / Bulb	Included

LIGHTING SOURCE for model GH5484.FLNT400EN

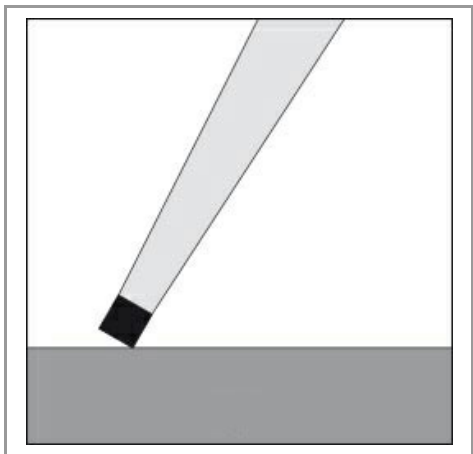
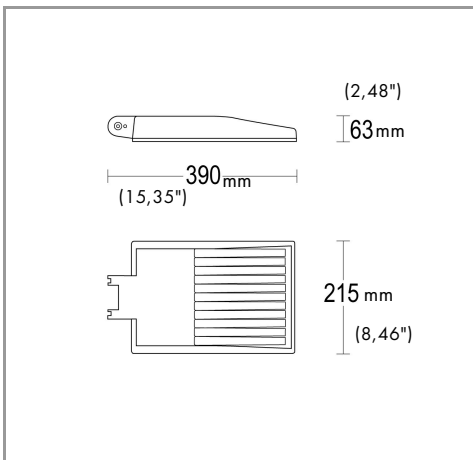
Light source	LED
Type of bulb or LED	LED module
Light source [W]	46.5 W
Nominal LED emission [Lm]	7458 lm
Color temperature	4000 K
Color rendering index	CRI>80
Binning	Step MacAdam 3
Life Time LED [t]	100.000h - L90 - B10
LED voltage range [V]	21V
Courrent	700 mA
Luminaire emission [lm]	1 x 6392
LED / Bulb	Included

LIGHTING SOURCE for model GH5484.MMNT300EN

Light source	LED
Type of bulb or LED	LED module
Light source [W]	61.5 W
Nominal LED emission [Lm]	9303 lm
Color temperature	3000 K
Color rendering index	CRI>80
Binning	Step MacAdam 3
Life Time LED [t]	100.000h - L90 - B10
LED voltage range [V]	21V
Courrent	900 mA
Luminaire emission [lm]	1 x 7973
LED / Bulb	Included

LIGHTING SOURCE for model GH5484.MMNT400EN

Light source	LED
Type of bulb or LED	LED module
Light source [W]	61.5 W
Nominal LED emission [Lm]	9591 lm
Color temperature	4000 K
Color rendering index	CRI>80
Binning	Step MacAdam 3
Life Time LED [t]	100.000h - L90 - B10
LED voltage range [V]	21V
Courrent	900 mA
Luminaire emission [lm]	1 x 8219
LED / Bulb	Included



LIGHTING SOURCE for model GH5484.NHNT300EN

Light source	LED
Type of bulb or LED	LED module
Light source [W]	33 W
Nominal LED emission [Lm]	5169 lm
Color temperature	3000 K
Color rendering index	CRI>80
Binning	Step MacAdam 3
Life Time LED [t]	100.000h - L90 - B10
LED voltage range [V]	21V
Courrent	500 mA
Luminaire emission [lm]	1 x 4430
LED / Bulb	Included

LIGHTING SOURCE for model GH5484.NHNT400EN

Light source	LED
Type of bulb or LED	LED module
Light source [W]	33 W
Nominal LED emission [Lm]	5328 lm
Color temperature	4000 K
Color rendering index	CRI>80
Binning	Step MacAdam 3
Life Time LED [t]	100.000h - L90 - B10
LED voltage range [V]	21V
Courrent	500 mA
Luminaire emission [lm]	1 x 4566
LED / Bulb	Included

FINISH CODE:

● .05 Dark Grey (matt)

● .19 Light Grey

ACCESSORIES:


IP 68 fast connector
AC204



Wall bracket Maestro /
Maximaestro Flat
AC555

