



### CODE:

3029

### APPLICATION:

WALL | ROUND OR SQUARE

### GENERAL INFORMATION:

One-way IP65 wall lamp with 3x1.7W LEDs.  
Aluminum alloy body with glass front protection.  
Wall installation with special base provided.  
Inclined fixing screws for easy installation.  
Technical compartment on the base to make connections without opening up the product.  
Power supply unit incorporated.




### LIGHTING INFORMATION:

KELVIN	CRI	NOMINAL LUMEN 85°	REAL OUTPUT
2700	90	375/375	~340/340
3000	80	465/465	~420/420
5000 4000	75	480/480	~430/430

### OPTICALS:

- 3. 30°
- 5. 50°
- 7. 70°
- 0. Diffused

### FINISH OPTIONS:

-  6. Black
-  5. Grey
-  8. Corten

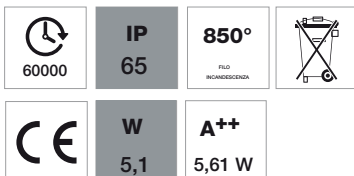
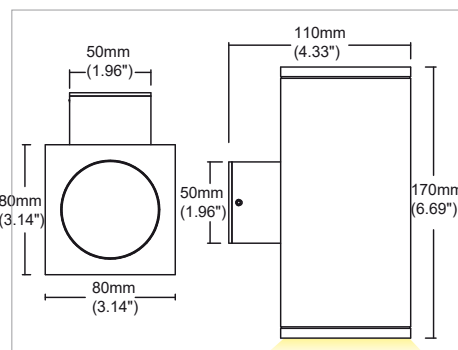
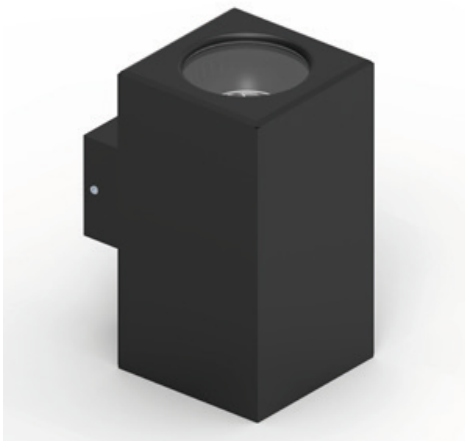
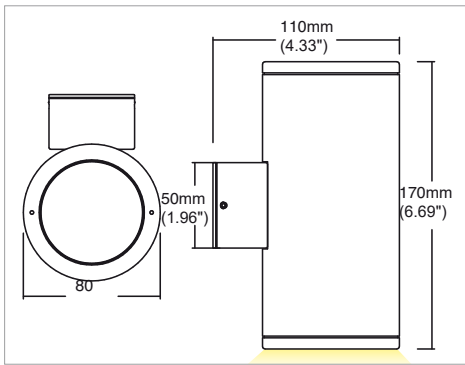
Custom colors on request\*

### COLOR:

-  1. 5000 K
-  2. 4000 K
-  3. 3000 K
-  W. 2700 K
-  4. Red
-  5. Green
-  6. Blue

### ACCESSORIES:

307501013 - Accessory to increase the center to center distance of drills





## CODE:

3030

## APPLICATION:

WALL | ROUND OR SQUARE

## GENERAL INFORMATION:

Two-way IP65 wall lamp with 3+3×1.7W LEDs.  
Aluminum alloy body with glass front protection.  
Wall installation with special base provided  
Inclined fixing screws for easy installation  
Technical compartment on the base to make connections without opening up the product  
Power supply unit incorporated




## LIGHTING INFORMATION:

KELVIN	CRI	NOMINAL LUMEN 85°	REAL OUTPUT
2700	90	375/375	~340/340
3000	80	465/465	~420/420
5000 4000	75	480/480	~430/430

## OPTICALS:

- 3. 30°
- 5. 50°
- 7. 70°
- 0. Diffused
- 8. Thin (OPTICALS UP)

## FINISH OPTIONS:

-  6. Black
-  5. Grey
-  8. Corten

Custom colors on request\*

## COLOR:

-  1. 5000 K
-  2. 4000 K
-  3. 3000 K
-  W. 2700 K
-  4. Red
-  5. Green
-  6. Blue

## ACCESSORIES:

307501013 - Accessory to increase the center to center distance of drills

