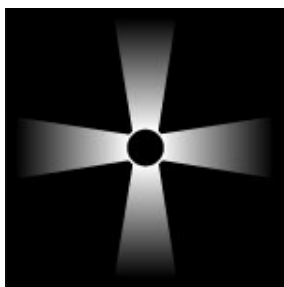
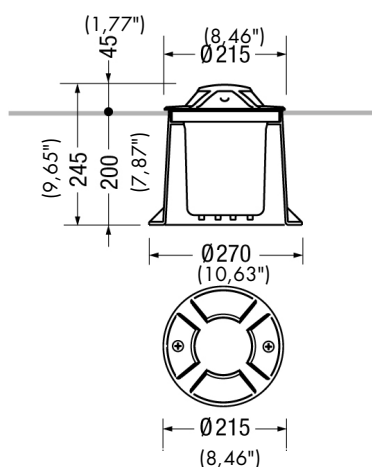


PRODUCT INFO:

Installation type:	Walk-over
Environments:	urban landscape, façades and architectural works, wellness, hallway, conference hall, places of worship, residential lighting
Mounting type:	With rough-in housing
Mounting note:	On normally inflammable surfaces allowed.
Body:	Corrosion resistant die-cast aluminium body and dome.
Painting:	Polyester powder coating, with a pluriprocessed against corrosion (passed the exposure of over 1500 hours in a saline mist environment).
Screws:	AISI 304 stainless steel screws
Seals:	Silicone Rubber.
Static load:	2000Kg
Standard Colour:	AL aluminium grey
Option colors:	GR graphite satin finish



DIMENSIONS:

D: Total diameter device (mm)	215(8.46")
-------------------------------	------------

OPTICAL:

Diffuser:	Unbreakable UV-resistant polycarbonate
Beam:	diffuse
Emission:	4 emissions
Adjustable:	No

ELECTRICAL:

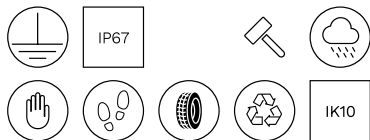
Item codes:	D44K/F2-LWN-DD-AL D44K/F2-LWW-DD-AL
Ballast type:	DALI.
Frequency:	50-60Hz
Lifetime:	60.000h L90B10 (Ta=25°C)
Line input:	Pre-wired and tested with resin sealed watertight H07RN-F five poles cable.
Mounting ballast type:	Remote driver
Voltage:	110-277 V
Separate ignition:	No
Emergency 1E:	No
Emergency 3E:	No

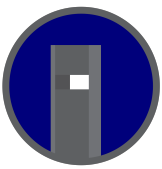
LIGHTINGSOURCE formodel D44K/F2-LWN-DD-AL

MacAdam:	Step 3
Output Flux:	68 lm
Source type:	LED
System power:	10W
Temperature Colour:	4000K CRI>80

LIGHTING SOURCE for model D44K/F2-LWW-DD-AL

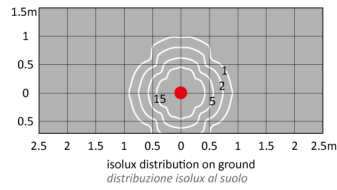
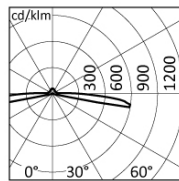
MacAdam:	Step 3
Output Flux:	72lm
Source type:	LED
System power:	10W
Temperature Colour:	3000K CRI>80



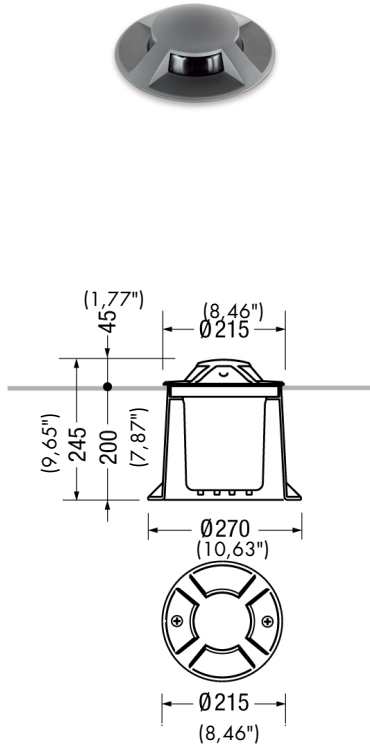
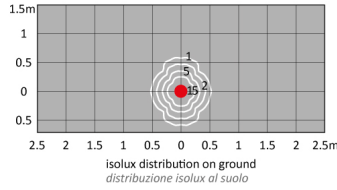
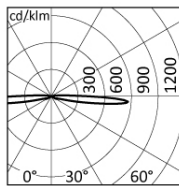


PHOTOMETRICS:

D44K/F1-LWN-ALL



D44K/F1-LWW-AL



OPTIONAL ACCESORIES:

Electrical

ACS/CR7

IP68 connector plug and socket terminal for cable Ø7-12mm - 5x0,5-1,5mm².



ACS/FX05

3 ways IP68 wiring box for DALI looping connection.

