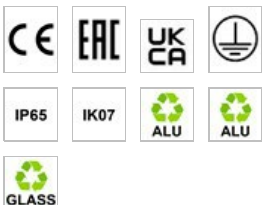


H(m)	φ (m)	lux med. 3000 K	lux max. 3000 K
5	1.4	110	174
4	1.1	172	271
3	0.8	305	482
2	0.5	687	1085
1	0.3	2747	4342


**CONSTRUCTIVE & DIMENSIONAL:**

Application field:	Series of spot lights to be mounted on floor, wall, spike, tree with belt or on a pole system
Construction material:	Extruded aluminum EN AW-6060 T5 high resistance to oxidation, Die-cast aluminum EN AB 44100 highly resistant to oxidation
External screws:	Stainless steel A4-70 treated with highly antioxidant water-repellent lubricating solution
Gaskets:	Silicone gaskets
Length [mm]:	125mm(4,92")
Width [mm]:	125mm(4,92")
Height / Projection [mm]:	108mm(4,25")

**ELECTRICAL:**

Description and Model Code:	GH1397.FAST300EN 1397.GZS.T	1 x 15 W LED 3000 K CRI>80 1 x 1350 lm
Operating Power:	110-277 V / 50-60 Hz	
Number of heads:	1	
Number of circuits:	1	
Driver positioning:	Integral	
Luminaire efficiency [lm/W]:	37.32	
Fixture consumption:	17.65 W	
Control gear type:	Electronic	
Dimmer type:	Dimmable trailing edge. It is recommended to check compatibility with the dimmer to be used.	
Cable entry:	Brass cable gland M16 Ø 5/10 mm	
Daisy chain wiring:	External to the luminaire with IP68 connector available as an accessory	
Cable type:	H07RN8-F 3x1mm2	
Cord length [m]:	0.5	
Emergency:	Not available	
Ambient temperature operating range [°C]:	-20 °C ÷ +35 °C	

**OPTICAL:**

Beam angle [°]	16°
Light distribution	Symmetrical medium flood (15° - 45°)
Beam directionability	Adjustable
Swivel [°]	40° - 90°
Diffuser material	Sodium-calcium tempered glass 4mm
Diffuser finish	Transparent - extra clear
Optics	Anti UV technopolymer lens

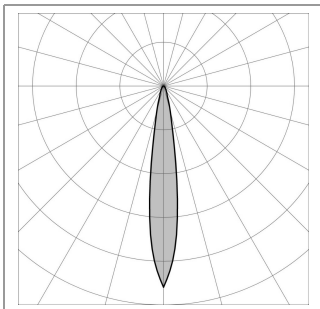
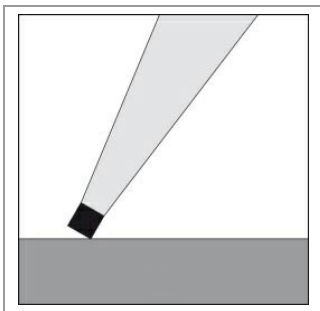
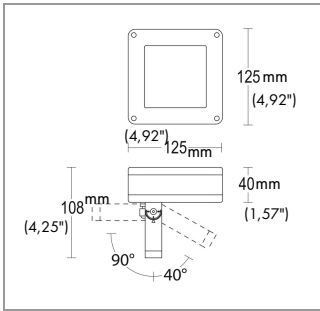
**LIGHTING SOURCE for model GH1397.FAST300EN 1397.GZS.T**

Light source	LED
Type of bulb or LED	DOB
Light source [W]	15 W
Nominal LED emission [Lm]	1350 lm
Color temperature	3000 K
Color rendering index	CRI>80
Luminaire emission [lm]	1 x 659
LED / Bulb	Included

### FINISH CODE:

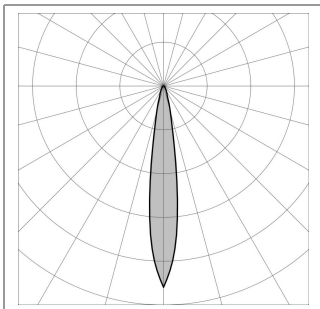
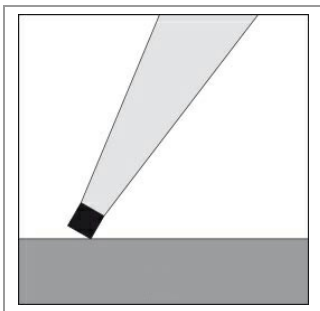
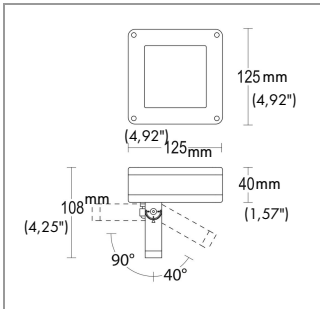
- .05 Dark Grey (matt)
- .19 Light Grey
- .80 Sand
- .01 White (matt)
- .02 Black (matt)
- .45 Corten

### ACCESSORIES:



H(m)	φ(m)	lux med. 3000 K	lux max. 3000 K
5	1.4	110	174
4	1.1	172	271
3	0.8	305	482
2	0.5	687	1085
1	0.3	2747	4342





H(m)	φ(m)	lux	
		med. 4000 K	max. 4000 K
5	1.4	116	183
4	1.1	181	286
3	0.8	322	509
2	0.5	725	1146
1	0.3	2900	4583


**CONSTRUCTIVE & DIMENSIONAL:**

Application field:	Series of spot lights to be mounted on floor, wall, spike, tree with belt or on a pole system
Construction material:	Extruded aluminum EN AW-6060 T5 high resistance to oxidation, Die-cast aluminum EN AB 44100 highly resistant to oxidation
External screws:	Stainless steel A4-70 treated with highly antioxidant water-repellent lubricating solution
Gaskets:	Silicone gaskets
Length [mm]:	125mm(4,92")
Width [mm]:	125mm(4,92")
Height / Projection [mm]:	108mm(4,25")

**ELECTRICAL:**

Description and Model Code:	GH1397.FAST400EN 1397.GV.S.T	1 x 15 W LED 4000 K CRI>80 1 x 1425 lm
Operating Power:	110-277 V / 50-60 Hz	
Number of heads:	1	
Number of circuits:	1	
Driver positioning:	Integral	
Luminaire efficiency [lm/W]:	39.4	
Fixture consumption:	17.65 W	
Control gear type:	Electronic	
Dimmer type:	Dimmable trailing edge. It is recommended to check compatibility with the dimmer to be used.	
Cable entry:	Brass cable gland M16 Ø 5/10 mm	
Daisy chain wiring:	External to the luminaire with IP68 connector available as an accessory	
Cable type:	H07RN8-F 3x1mm <sup>2</sup>	
Cord length [m]:	0.5	
Emergency:	Not available	
Ambient temperature operating range [°C]:	-20 °C ÷ +35 °C	

**OPTICAL:**

Beam angle [°]	16°
Light distribution	Symmetrical medium flood (15° - 45°)
Beam directionability	Adjustable
Swivel [°]	40° - 90°
Diffuser material	Sodium-calcium tempered glass 4mm
Diffuser finish	Transparent - extra clear
Optics	Anti UV technopolymer lens

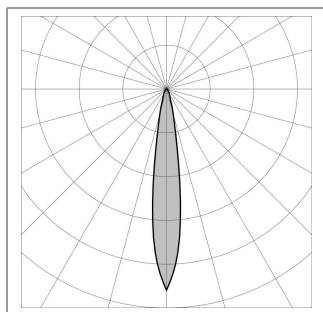
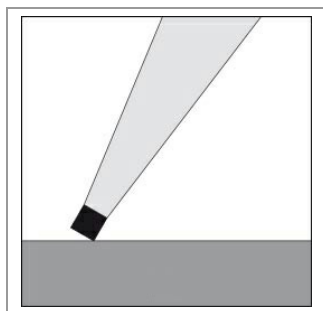
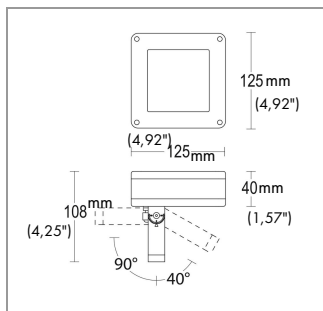
**LIGHTING SOURCE for model GH1397.FAST400EN 1397.GV.S.T**

Light source	LED
Type of bulb or LED	DOB
Light source [W]	15 W
Nominal LED emission [Lm]	1425 lm
Color temperature	4000 K
Color rendering index	CRI>80
Luminaire emission [Lm]	1 x 695
LED / Bulb	Included

### FINISH CODE:

- .05 Dark Grey (matt)
- .19 Light Grey
- .80 Sand
- .01 White (matt)
- .02 Black (matt)
- .45 Corten

### ACCESSORIES:



H(m)	φ (m)	lux med. 4000 K	lux max. 4000 K
5	1.4	116	183
4	1.1	181	286
3	0.8	322	509
2	0.5	725	1146
1	0.3	2900	4583

