

CONSTRUCTIVE & DIMENSIONAL:

Application field:	Series of spot lights to be mounted on floor, wall, spike, tree with belt or on a pole system
Construction material:	Extruded aluminum EN AW-6060 T5 high resistance to oxidation, Die-cast aluminum EN AB 44100 highly resistant to oxidation
External screws:	Stainless steel A4-70 treated with highly antioxidant water-repellent lubricating solution
Gaskets:	Silicone gaskets
Length [mm]:	200mm(7,87")
Width [mm]:	200mm(7,87")
Height / Projection [mm]:	170mm(6,69")

ELECTRICAL:

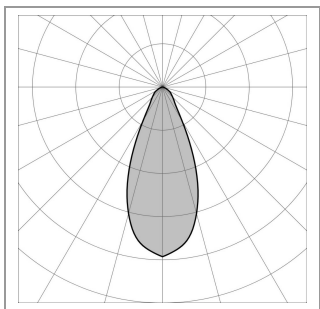
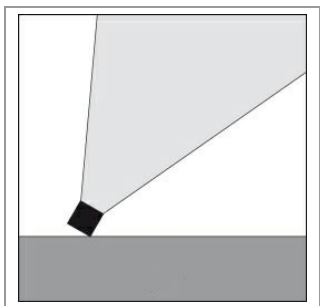
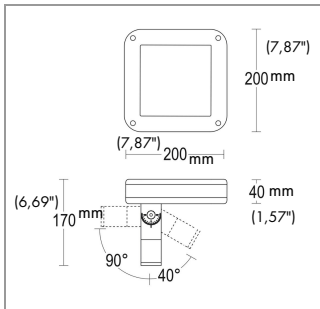
Description and Model Code:	GH1398.BUFT300EN 1398.FGF.T	1 x 19 W LED 3000 K CRI>90 1 x 2374 lm
Operating Power:	110-277 V / 50-60 Hz	
Number of heads:	1	
Number of circuits:	1	
Driver positioning:	Integral	
Luminaire efficiency [lm/W]:	60.96	
Fixture consumption:	22.35 W	
Control gear type:	Electronic	
Dimmer type:	Dimmable upon request	
Cable entry:	Metal cable gland M20 Ø 7/13 mm	
Daisy chain wiring:	External to the luminaire with IP68 connector available as an accessory	
Cable type:	H07RN8-F 3x1mm ²	
Cord length [m]:	0.5	
Emergency:	Not available	
Ambient temperature operating range [°C]:	-20 °C ÷ +35 °C	

OPTICAL:

Beam angle [°]	45°
Light distribution	Symmetrical wide beam (45° - 125°)
Beam directionability	Adjustable
Swivel [°]	40° - 90°
Diffuser material	Sodium-calcium tempered glass 4mm
Diffuser finish	Transparent - extra clear
Optics	Anti UV technopolymer lens

LIGHTING SOURCE for model GH1398.BUFT300EN 1398.FGF.T

Light source	LED
Type of bulb or LED	COB
Light source [W]	19 W
Nominal LED emission [lm]	2374 lm
Color temperature	3000 K
Color rendering index	CRI>90
Binning	Step MacAdam 3
Life Time LED [t]	100.000h - L80 - B10
LED voltage range [V]	31.2-36.8V
Current	550 mA
Luminaire emission [lm]	1 x 1363
LED / Bulb	Included



H(m)	φ (m)	lux	
		med. 3000 K	max. 3000 K
5	4.2	43	75
4	3.3	67	117
3	2.5	120	207
2	1.7	269	466
1	0.8	1077	1865





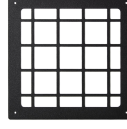
FINISH CODE:

- .05 Dark Grey (matt)
- .19 Light Grey
- .80 Sand
- .01 White (matt)
- .02 Black (matt)
- .45 Corten

ACCESSORIES:



Stake 220mm
AC711



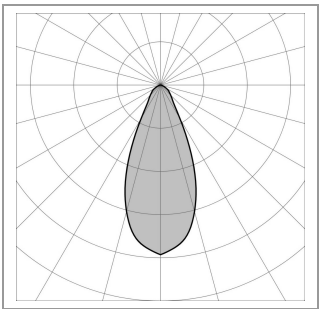
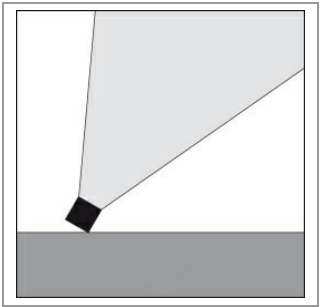
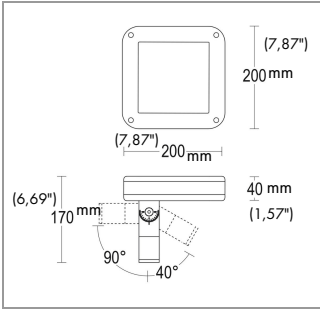
Vandal proof grid Faro
AC181



Directional flaps Faro
AC185

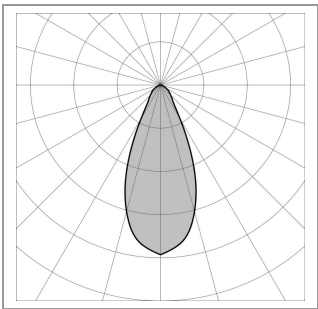
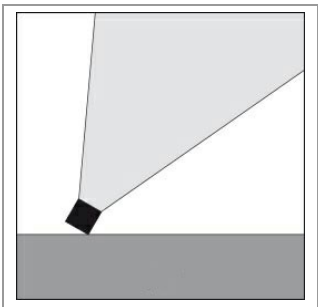
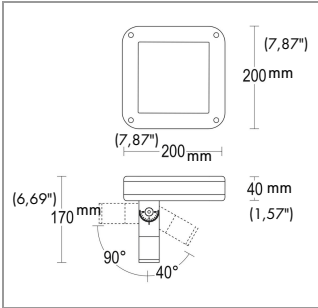


Tree fixing strap - Faro
AC643



H(m)	φ (m)	lux med. 3000 K	lux max. 3000 K
5	4.2	43	75
4	3.3	67	117
3	2.5	120	207
2	1.7	269	466
1	0.8	1077	1865





H(m)	φ(m)	lux med. 4000 K	lux max. 4000 K
5	4.2	44	76
4	3.3	68	118
3	2.5	121	210
2	1.7	273	473
1	0.8	1093	1893


CONSTRUCTIVE & DIMENSIONAL:

Application field:	Series of spot lights to be mounted on floor, wall, spike, tree with belt or on a pole system
Construction material:	Extruded aluminum EN AW-6060 T5 high resistance to oxidation, Die-cast aluminum EN AB 44100 highly resistant to oxidation
External screws:	Stainless steel A4-70 treated with highly antioxidant water-repellent lubricating solution
Gaskets:	Silicone gaskets
Length [mm]:	200mm(7,87")
Width [mm]:	200mm(7,87")
Height / Projection [mm]:	170mm(6,69")

ELECTRICAL:

Description and Model Code:	GH1398.BUFT400EN 1 x 19 W LED 4000 K CRI>90 1 x 2410 lm 1398.FHF.T	
Operating Power:	110-277 V / 50-60 Hz	
Number of heads:	1	
Number of circuits:	1	
Driver positioning:	Integral	
Luminaire efficiency [lm/W]:	61.89	
Fixture consumption:	22.35 W	
Control gear type:	Electronic	
Dimmer type:	Dimmable upon request	
Cable entry:	Metal cable gland M20 Ø 7/13 mm	
Daisy chain wiring:	External to the luminaire with IP68 connector available as an accessory	
Cable type:	H07RN8-F 3x1mm2	
Cord length [m]:	0.5	
Emergency:	Not available	
Ambient temperature operating range [°C]:	-20 °C ÷ +35 °C	

OPTICAL:

Beam angle [°]	45°
Light distribution	Symmetrical wide beam (45° - 125°)
Beam directionability	Adjustable
Swivel [°]	40° - 90°
Diffuser material	Sodium-calcium tempered glass 4mm
Diffuser finish	Transparent - extra clear
Optics	Anti UV technopolymer lens

LIGHTING SOURCE for model GH1398.BUFT400EN 1398.FHF.T

Light source	LED
Type of bulb or LED	COB
Light source [W]	19 W
Nominal LED emission [Lm]	2410 lm
Color temperature	4000 K
Color rendering index	CRI>90
Binning	Step MacAdam 3
Life Time LED [t]	100.000h - L80 - B10
LED voltage range [V]	31.2-36.8V
Current	550 mA
Luminaire emission [lm]	1 x 1383
LED / Bulb	Included

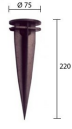


MAXIFARO FLAT 200 45°

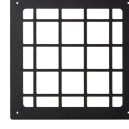
FINISH CODE:

- .05 Dark Grey (matt)
- .19 Light Grey
- .80 Sand
- .01 White (matt)
- .02 Black (matt)
- .45 Corten

ACCESSORIES:



Stake 220mm AC711



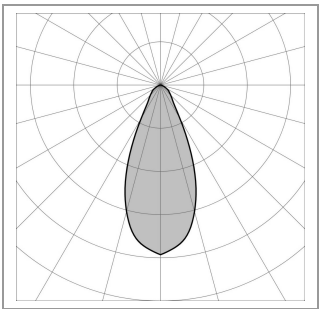
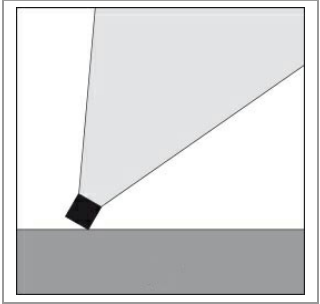
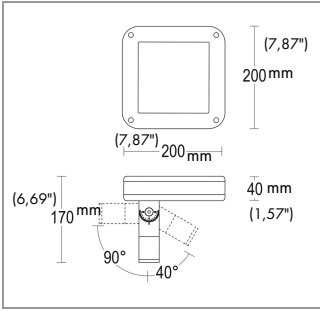
Vandal proof grid Faro AC181



Directional flaps Faro AC185



Tree fixing strap - Faro AC643



H(m)	φ(m)	lux med. 4000 K	lux max. 4000 K
5	4.2	44	76
4	3.3	68	118
3	2.5	121	210
2	1.7	273	473
1	0.8	1093	1893

