

**BULLARD**  
BOLLARDS



## Lea Bollard

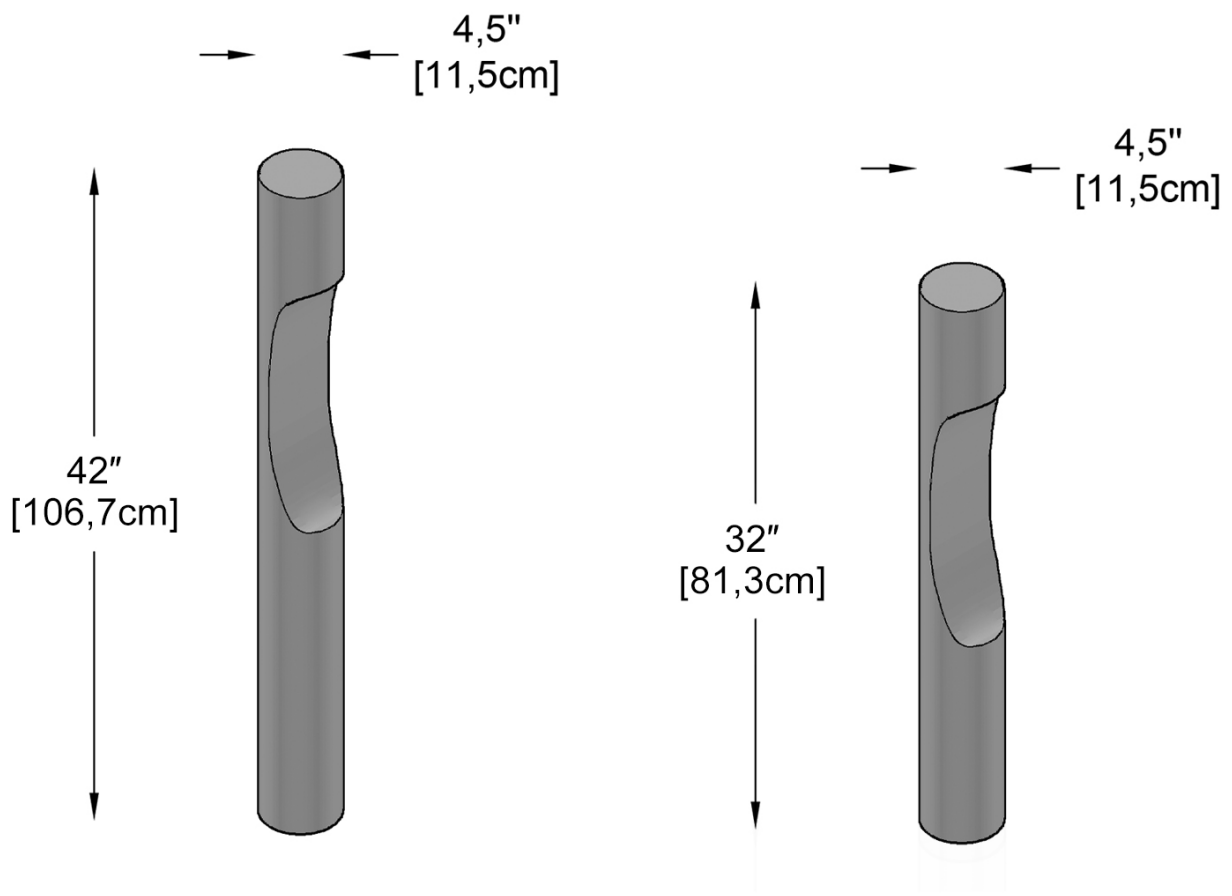
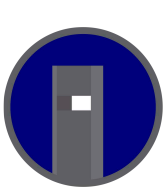
---

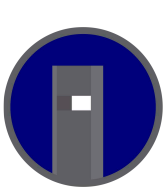
[sales@gordonbullard.com](mailto:sales@gordonbullard.com)  
[www.bullardbollards.com](http://www.bullardbollards.com)  
1-877-964-4646



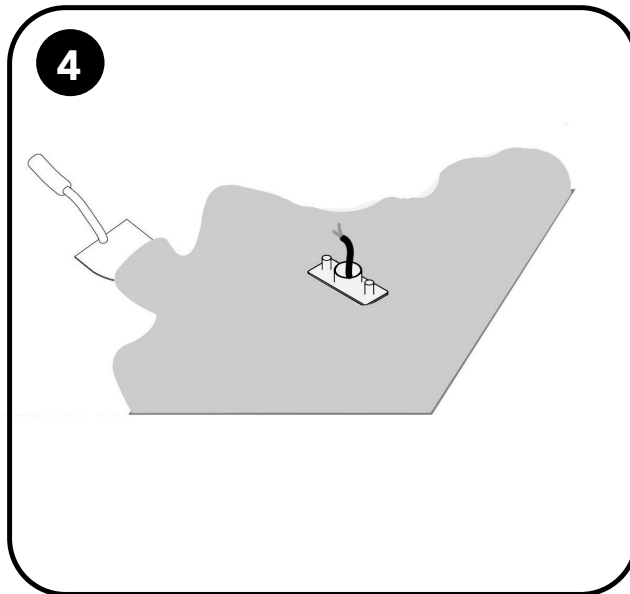
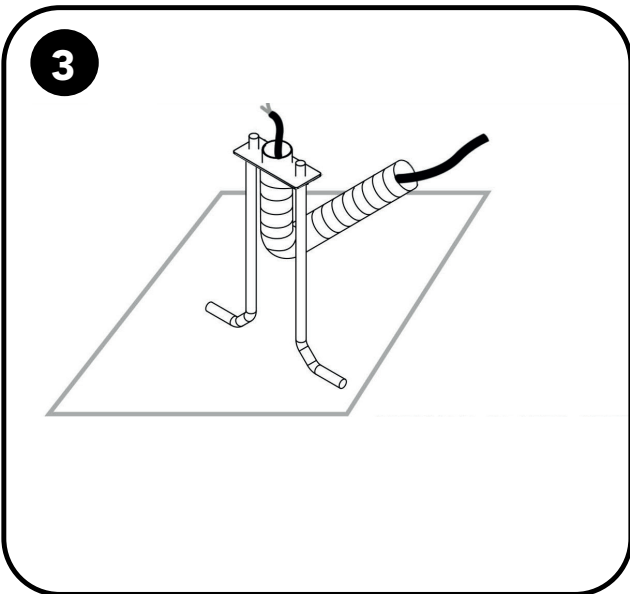
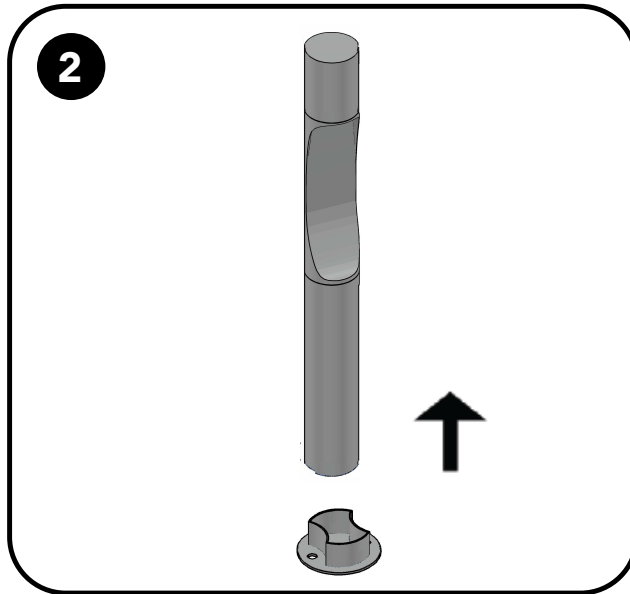
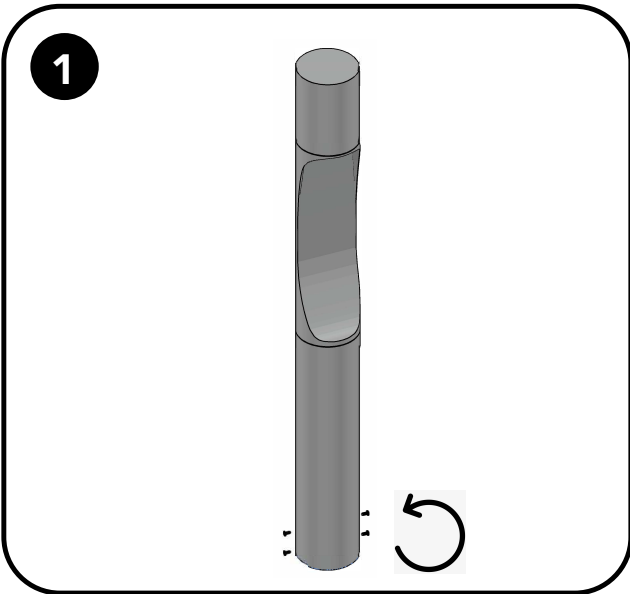
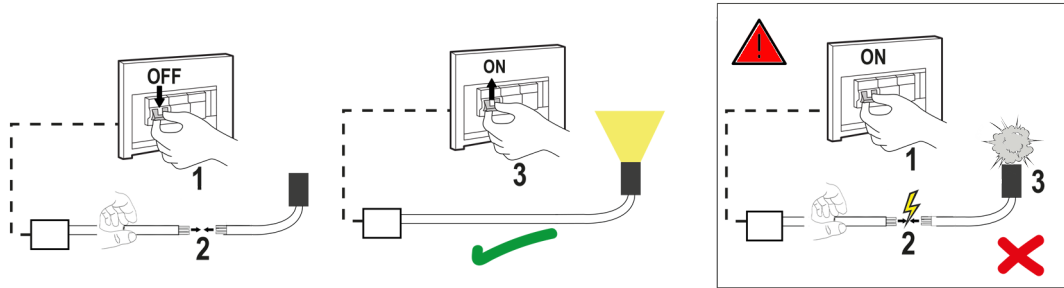
---

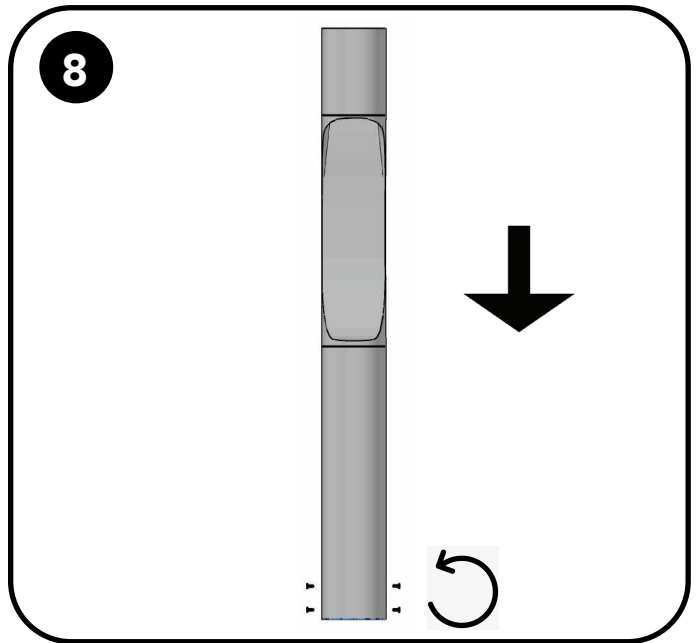
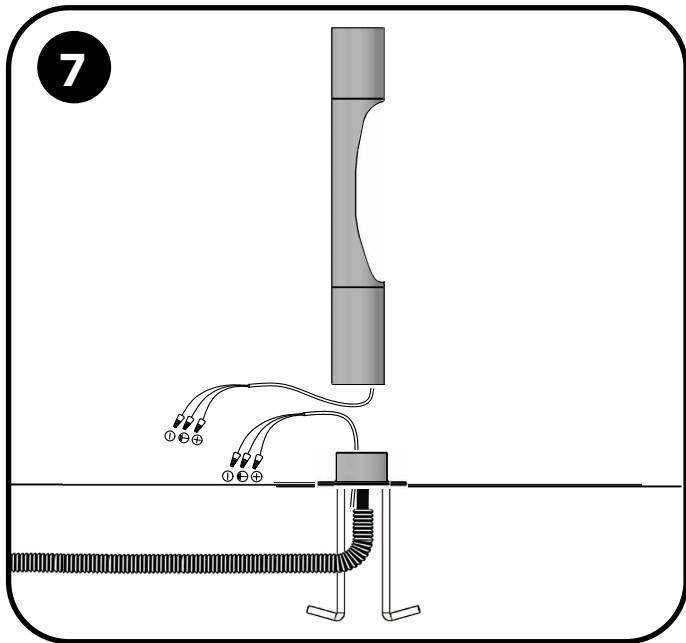
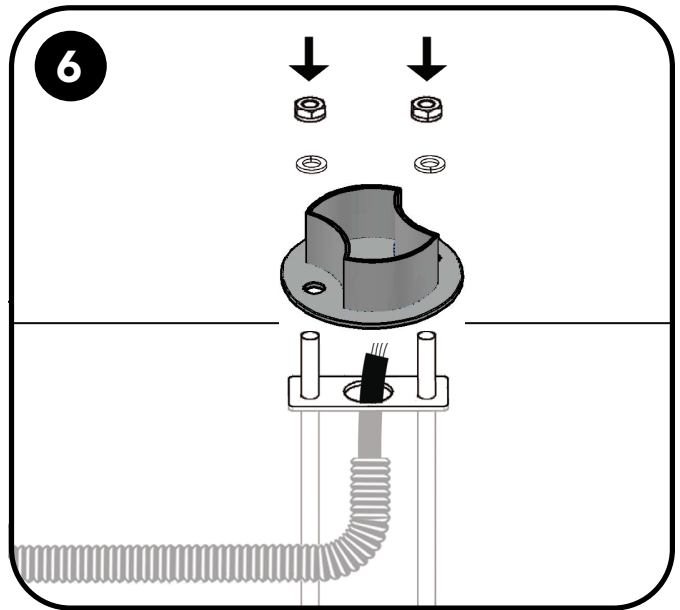
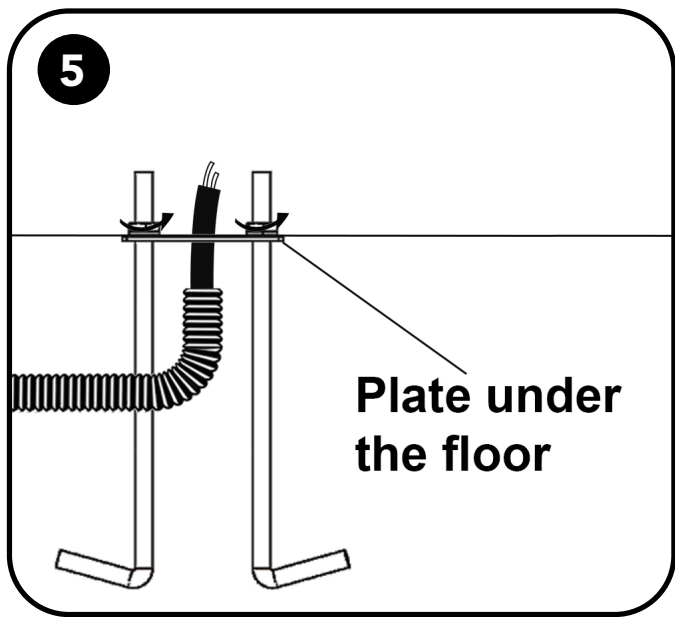
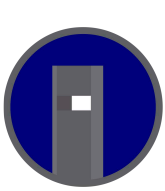
991 South Gull Lake Dr  
Richland, MI 49083  
USA

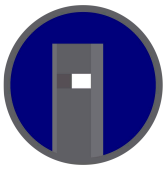




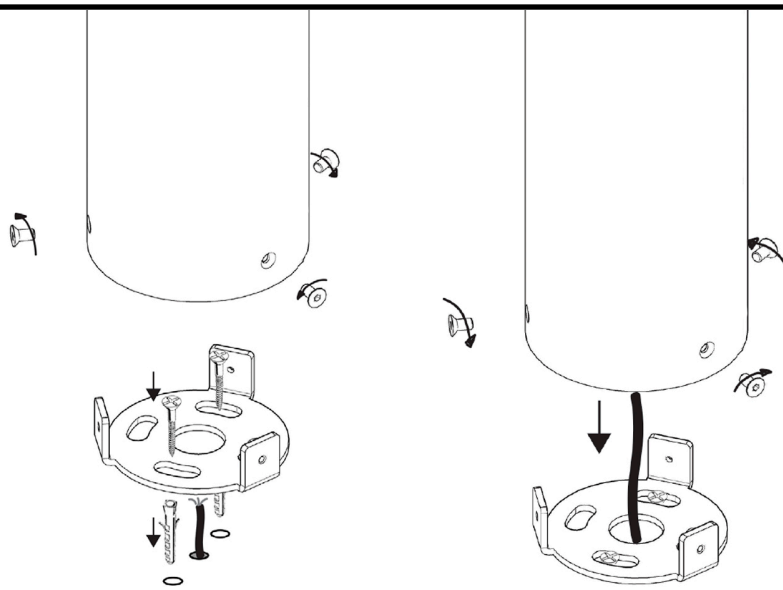
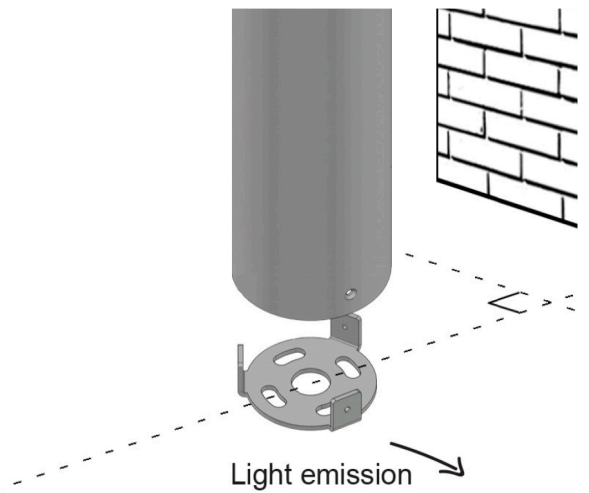
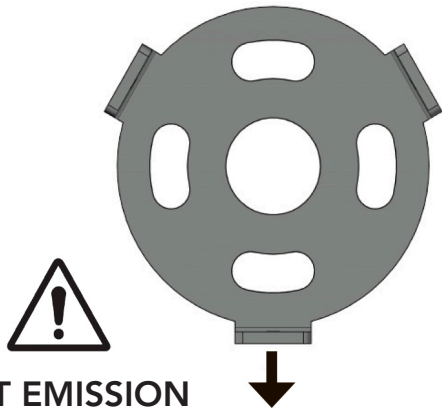
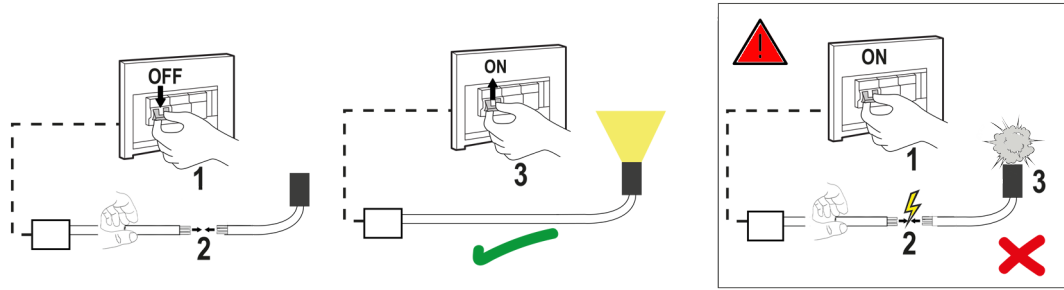
### Switch-off the power supply







**Switch-off the power supply**





**BULLARD**  
**BOLLARDS**

**WARNING:**

- The safety of this fixture is guaranteed only if you comply with these instructions.
- The appliance must not be tampered with or transformed and it must be installed and used as supplied and in compliance with the national rules on installations.
- Switch-off the power supply before carrying out any maintenance operations. hot plug-in is not allow and may cause damage to the luminaire.
- Installation and service must be performed by qualified service personnel.
- Any non-compliant installations will invalidate all forms of guarantee.