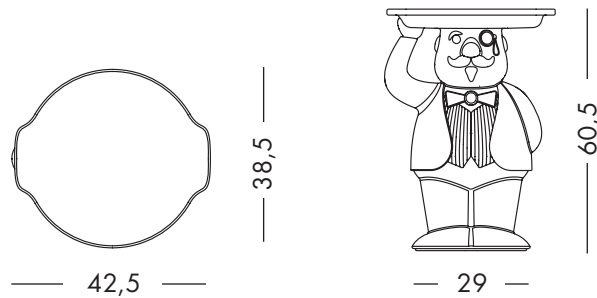


# AMBROGIO



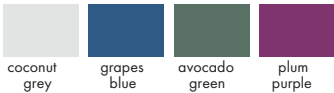






# AMBROGIO



PRODUCT	Category:	Servant table	PACKAGING	Packaging dimensions:	48 x 48 x 67 cm
	Years of production:	2022		Packaging volume:	0,154 m <sup>3</sup>
	Materials:	Polyethylene / EcoAllene		Total weight:	6,5 Kg
	Dimensions:	42,5 x 38,5 h 60,5 cm		No. of cartons:	1
	Weight:	3,5 Kg		Notes:	



\* Dimensions in centimetres

STANDARD			
CODE	SD AMA060		
TECHNICAL INFO I			
COLOURS	STANDARD COLOURS		
			
	SPECIAL COLOURS (ECOALLENE)		
			
NOTES	EcoAllene colours (30% EcoAllene + 70% Polyethylene)		
LIGHTING			
CODE	LP AMB060		
TECHNICAL INFO	Lighting system:	Bulb	1 x 5W - G45 / E26
	Wiring:	Transparent cable + inline cord switch on/off	
	Max bulb dimensions:	Ø 55 h 80 mm	Accessory on request:
COLOURS	LIGHTING COLOURS		
			
NOTES			
LACQUERED			
CODE	SL AMA060		
TECHNICAL INFO			
COLOURS	LACQUERED (GLOSSY / MATT)		
			
NOTES			

## ACCESSORIES

### REMOVABLE TRAY



CODE	SD AMB062			
TECHNICAL INFO	Material:	Wood		
	Dimensions:	46 x 42 h 3,5 cm	Weight:	1,5 Kg
COLOURS	 <small>WOOD</small>			
PACKAGING	Inserted into the Amanda box if purchased at the same time.			
NOTES				

## SYMBOLS

---



Product for indoor use only.

---



Product for indoor and outdoor use.

---



Product version for outdoor on request.

---



Fireproof product.



Product with soft seat.

---



Stackable product.



Product with special packaging.

---



Conformity to the European Community instructions. .



Product made with 100% recyclable material.

---

## LIGHTING SYMBOLS

---



Lighting system compatible with LED light bulbs.

---



LED lighting system.



RGB LED multicolour system.

---



LED tube lighting system.



3W battery RGBW LED system included.

---



Product compatible with Candy Light module.



Product compatible with Candy Light XL module. .

---



Product with base model I1.



Product with base model E1.

---



Product with base model E1.



Product with base model E3.

---



Protected against the intrusion of solid objects  
Ø > 12 mm, not against water.

---



Protected against the intrusion of dust and  
water jets.

---



Fully protected against the intrusion of dust and  
immersion in water.

---



Insulation class 1.

---



Insulation class 2.

---



Insulation class 3.

---



Device proper to direct assembly onto normally  
inflammable surfaces.

---



On request, the photometric data of the product are  
available in EULUMDAT standard or a similar one.

---

## MAINTENANCE & CLEANING

**EN** - Check the material composition of the product on the technical sheet on [www.slidedesign.it](http://www.slidedesign.it).

- To prevent dust and dirt from sticking to the plastic surfaces, periodically clean the products.
- Avoid using ethanol or any liquids containing acetone, trichloroethylene or ammonia (solvents in general).
- **POLYETHYLENE**: clean the product with a damp cloth and neutral liquid soap diluted in water.  
It is recommended the use of SLIDE's "CleanUp" cleaner or a degreaser. In case of persistent stains, use a scrub eraser (melamine foam - Scotch-Brite Easy Eraser or similar) or a hot water pressure washer.  
Spray the cleaning product on the surface, rub with a damp cloth and rinse abundantly with hot water.
- **POLYURETHANE**: clean the products with a soft cloth and neutral liquid soap diluted in water, especially if the surface comes into contact with highly coloured substances (such as coffee, tea, oil, etc.).
- **POLYPROPYLENE**: clean the products with a damp cloth and neutral liquid soap diluted in water and degreaser.  
Rinse with plenty of water.
- Lacquered version: periodically clean with a polish cleaner, gently rubbing with soft cloth/cotton wool.
- Fabrics can be cleaned with a damp cloth, neutral liquid soap and water.
- For metal parts use specific cleaners.
- For **HPL**, clean the surface with a damp cloth and neutral liquid soap diluted in water.



Product made with 100% recyclable material.



Certifies the conformity of the product to the European Community instructions



Appliance suitable for installation on normally inflammable surfaces.



Recycling and disposal of electronic waste (WEEE).



## WARRANTY

**EN** - SLIDE products are guaranteed against all manufacturing faults, granted that the items are appropriately used, for twenty-four (24) months from the date of purchase upon presentation of the invoice.

LEDs are guaranteed for twelve (12) months from the date of purchase.

Warranty doesn't include parts that are subject to wear and tear due to usage, batteries when provided, wiring and electrical parts that do not have manufacturing faults.

SLIDE declines any liability to damages caused to things or persons by an illegitimate use of the product.

SLIDE won't accept any returned goods without having checked the kind of defects first.

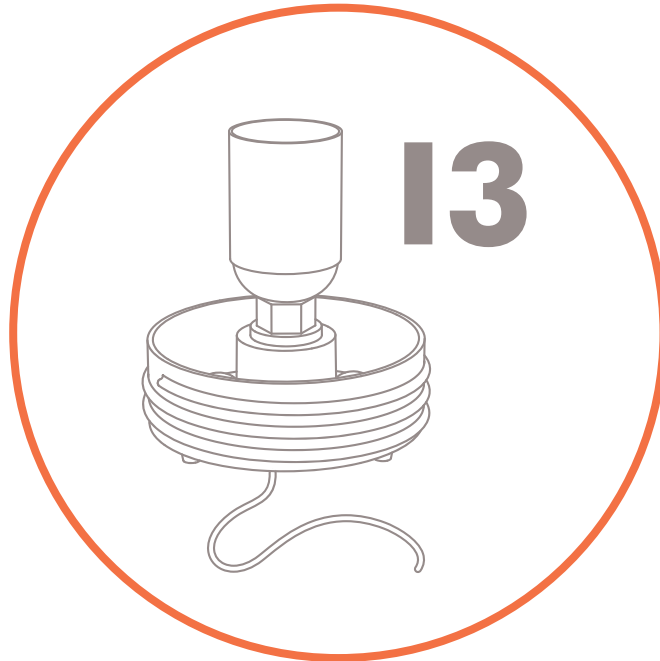


**EN** - Warning: the appropriate use of these instructions ensures the good maintenance of the product.

Always consult the technical sheet of the product on the [www.slidedesign.it](http://www.slidedesign.it) website.

- Before any operation on the fixture, please disconnect the power supply.
- Assembly and maintenance of the fixture must be performed carefully so components are not damaged.
- Replacement bulbs must be the same type and wattage as specified in the technical sheet.  
Use LED bulbs only.
- In case of damage to the feeding cable, please contact a SLIDE dealer or qualified personnel for replacement.
- Keep away from excessive heat sources.
- Avoid any improper use. Do not stand on the products. When the product has to be moved, lift the product off the ground in order to avoid damages.
- Always protect the product with its original packaging when not in use for a long time.

# ASSEMBLY INSTRUCTIONS



Certifies the conformity of the product to the European Community instructions.



Appliance suitable for installation on normally inflammable surfaces.



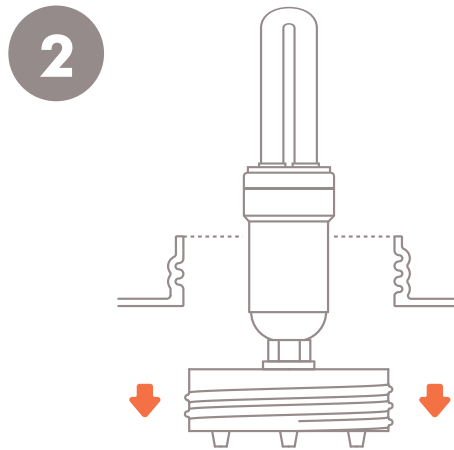
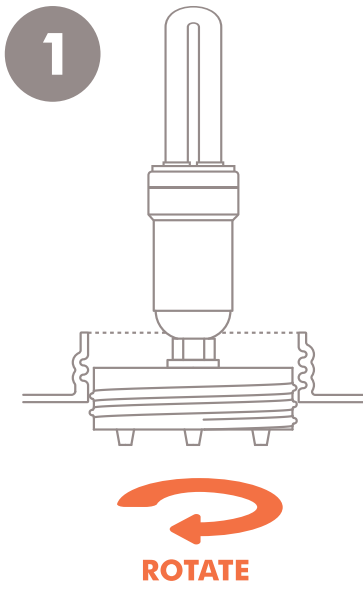
Class 2: appliance fitted with double insulation, without ground connection.



Appliance for indoor use only.

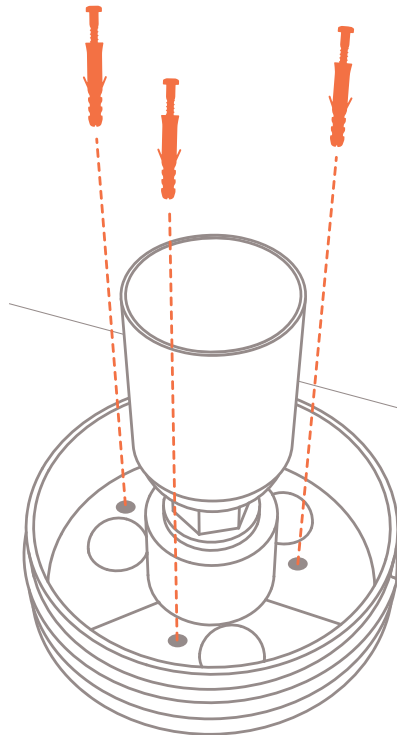


## BULB REPLACEMENT



---

## SYSTEM FOR FLOOR/WALL MOUNTING



MAKE 3 HOLES AND LOCK  
THE BASE WITH RAWLPLUGS

## MAINTENANCE & CLEANING

**EN** - Check the material composition of the product on the technical sheet on [www.slidedesign.it](http://www.slidedesign.it).

- To prevent dust and dirt from sticking to the plastic surfaces, periodically clean the products.
- Avoid using ethanol or any liquids containing acetone, trichloroethylene or ammonia (solvents in general).
- **POLYETHYLENE**: clean the product with a damp cloth and neutral liquid soap diluted in water.  
It is recommended the use of SLIDE's "CleanUp" cleaner or a degreaser. In case of persistent stains, use a scrub eraser (melamine foam - Scotch-Brite Easy Eraser or similar) or a hot water pressure washer.  
Spray the cleaning product on the surface, rub with a damp cloth and rinse abundantly with hot water.
- **POLYURETHANE**: clean the products with a soft cloth and neutral liquid soap diluted in water, especially if the surface comes into contact with highly coloured substances (such as coffee, tea, oil, etc.).
- **POLYPROPYLENE**: clean the products with a damp cloth and neutral liquid soap diluted in water and degreaser.  
Rinse with plenty of water.
- Lacquered version: periodically clean with a polish cleaner, gently rubbing with soft cloth/cotton wool.
- Fabrics can be cleaned with a damp cloth, neutral liquid soap and water.
- For metal parts use specific cleaners.
- For **HPL**, clean the surface with a damp cloth and neutral liquid soap diluted in water.



Product made with 100% recyclable material.



Recycling and disposal of electronic waste (WEEE).



## WARRANTY

**EN** - SLIDE products are guaranteed against all manufacturing faults, granted that the items are appropriately used, for twenty-four (24) months from the date of purchase upon presentation of the invoice.

LEDs are guaranteed for twelve (12) months from the date of purchase.

Warranty doesn't include parts that are subject to wear and tear due to usage, batteries when provided, wiring and electrical parts that do not have manufacturing faults.

SLIDE declines any liability to damages caused to things or persons by an illegitimate use of the product.

SLIDE won't accept any returned goods without having checked the kind of defects first.



**EN** - Warning: the appropriate use of these instructions ensures the good maintenance of the product.

Always consult the technical sheet of the product on the [www.slidedesign.it](http://www.slidedesign.it) website.

- Before any operation on the fixture, please disconnect the power supply.
- Assembly and maintenance of the fixture must be performed carefully so components are not damaged.
- Replacement bulbs must be the same type and wattage as specified in the technical sheet.  
Use LED bulbs only.
- In case of damage to the feeding cable, please contact a SLIDE dealer or qualified personnel for replacement.
- Keep away from excessive heat sources.
- Avoid any improper use. Do not stand on the products. When the product has to be moved, lift the product off the ground in order to avoid damages.
- Always protect the product with its original packaging when not in use for a long time