

CONSTRUCTIVE & DIMENSIONAL:

Application field:	Series of bollards with functional design available in various sizes and heights
Construction material:	Extruded aluminum EN AW-6060 T5 high resistance to oxidation, Die-cast aluminum EN AB 44100 highly resistant to oxidation
External screws:	Stainless steel A4-70 treated with highly antioxidant water-repellent lubricating solution
Gaskets:	Silicone gaskets
Diameter [mm]:	165mm(6,49")
Height / Projection [mm]:	1100mm(43,30")

ELECTRICAL:

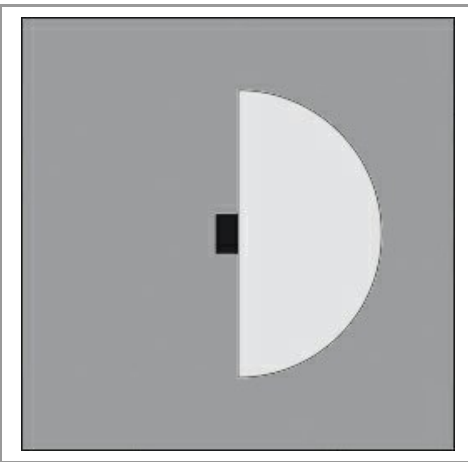
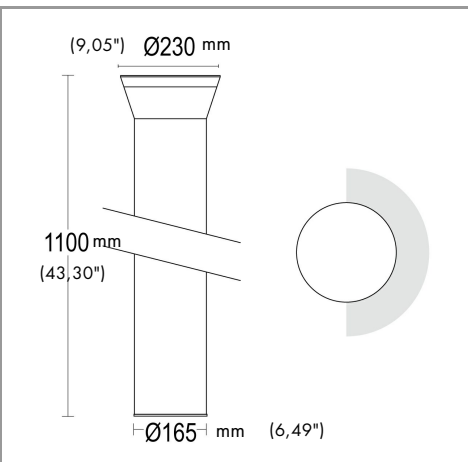
Description and Model Code:	GH0975.FAXT300EN	1 x 15 W LED 3000 K CRI>90	1 x 2102 lm
	GH0975.FAXT400EN	1 x 15 W LED 4000 K CRI>90	1 x 2208 lm
	GH0975.CAXT300EN	1 x 11.5 W LED 3000 K CRI>90	1 x 1502 lm
	GH0975.CAXT400EN	1 x 11.5 W LED 4000 K CRI>90	1 x 1577 lm

Operating Power:	110-277 V / 50-60 Hz
Number of heads:	1
Number of circuits:	1
Driver positioning:	Integral
Luminaire efficiency [lm/W]:	35.27 for model GH0975.FAXT300EN 37.05 for model GH0975.FAXT400EN 32.87 for model GH0975.CAXT300EN 34.51 for model GH0975.CAXT400EN
Fixture consumption:	17.65 W for model GH0975.FAXT300EN 17.65 W for model GH0975.FAXT400EN 13.53 W for model GH0975.CAXT300EN 13.53 W for model GH0975.CAXT400EN

Control gear type:	Electronic
Dimmer type:	Dimmable upon request
Daisy chain wiring:	External to the luminaire with IP68 connector available as an accessory
Cable type:	H05RN-F 2x1mm2
Cord length [m]:	0.5
Water-Lock system:	Included
Ambient temperature operating range [°C]:	-20 °C ÷ +35 °C

OPTICAL:

Beam angle [°]	180°
Light distribution	Other
Beam directionability	Fixed optics
Diffuser material	Vandal proof polycarbonate UV resistant
Diffuser finish	Transparent - extra clear
Optics	Reflector in anti-UV technopolymer with super pure aluminum metallization
Secondary optics	White painted aluminum reflector



LIGHTING SOURCE for model GH0975.FAXT300EN

Light source	LED
Type of bulb or LED	LED module
Light source [W]	1.5 W
Nominal LED emission [Lm]	2102 lm
Color temperature	3000 K
Color rendering index	CRI>90
Binning	Step MacAdam 3
LED voltage range [V]	43.5-47.5V
Courrent	350 mA
Luminaire emission [lm]	1 x 622
LED / Bulb	Included

LIGHTING SOURCE for model GH0975.FAXT400EN

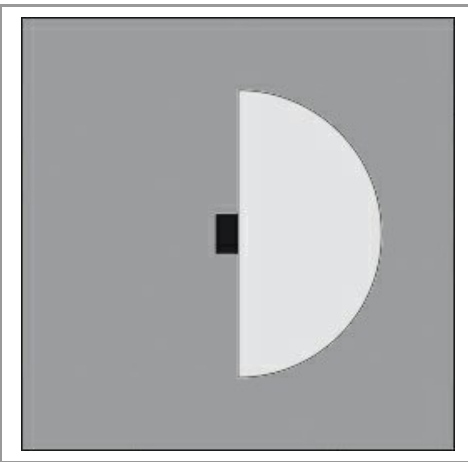
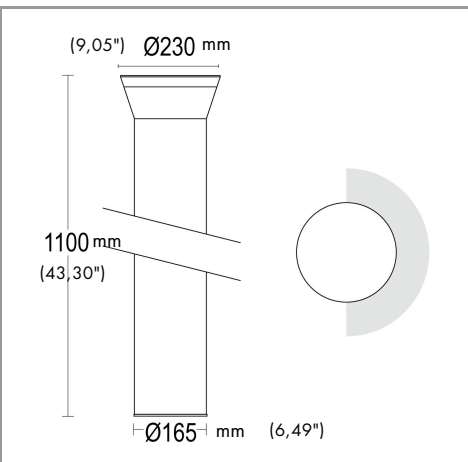
Light source	LED
Type of bulb or LED	LED module
Light source [W]	1.5 W
Nominal LED emission [Lm]	2208 lm
Color temperature	4000 K
Color rendering index	CRI>90
Binning	Step MacAdam 3
LED voltage range [V]	43.5-47.5V
Courrent	350 mA
Luminaire emission [lm]	1 x 654
LED / Bulb	Included

LIGHTING SOURCE for model GH0975.CAXT300EN

Light source	LED
Type of bulb or LED	LED module
Light source [W]	11.5 W
Nominal LED emission [Lm]	1502 lm
Color temperature	3000 K
Color rendering index	CRI>90
Binning	Step MacAdam 3
LED voltage range [V]	43.5-47.5V
Courrent	250 mA
Luminaire emission [lm]	1 x 445
LED / Bulb	Included

LIGHTING SOURCE for model GH0975.CAXT400EN

Light source	LED
Type of bulb or LED	LED module
Light source [W]	11.5 W
Nominal LED emission [Lm]	1577 lm
Color temperature	4000 K
Color rendering index	CRI>90
Binning	Step MacAdam 3
LED voltage range [V]	43.5-47.5V
Courrent	250 mA
LED voltage range [V]	43.5-47.5V
Luminaire emission [lm]	1 x 467
LED / Bulb	Included





FINISH CODE:

● .05 Dark Grey (matt)

● .19 Light Grey

● .80 Sand

● .02 Black (matt)

● .45 Corten

● .62 Antique Grey

ACCESSORIES:



IP 68 connector for through wiring
AC279



IP 68 fast connector
AC204



plated steel anchorage
Maxitondo / Maxiquadro
AC254

