

CONSTRUCTIVE & DIMENSIONAL:

Application field:	Series of bollards with functional design available in various sizes and heights
Construction material:	Extruded aluminum EN AW-6060 T5 high resistance to oxidation, Die-cast aluminum EN AB 44100 highly resistant to oxidation
External screws:	Stainless steel A4-70 treated with highly antioxidant water-repellent lubricating solution
Gaskets:	Silicone gaskets
Diameter [mm]:	165mm(6,49")
Height / Projection [mm]:	250mm(9,84")

ELECTRICAL:

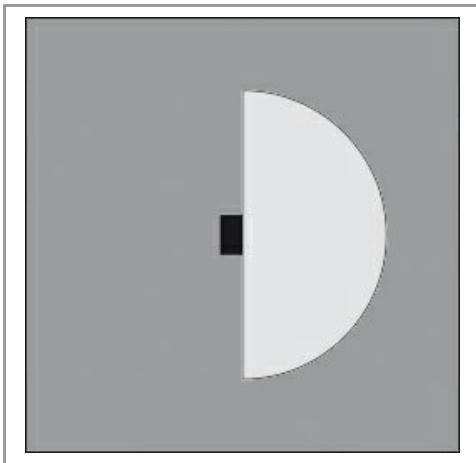
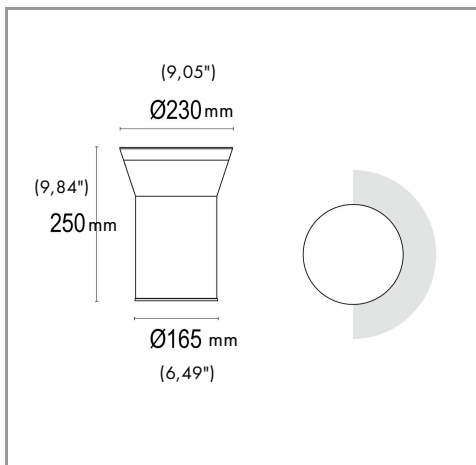
Description and Model Code:	GH0973.FAXT300EN	1 x 15 W LED 3000 K CRI>90	1 x 2102 lm
	GH0973.FAXT400EN	1 x 15 W LED 4000 K CRI>90	1 x 2208 lm
	GH0973.CAXT300EN	1 x 11.5 W LED 3000 K CRI>90	1 x 1502 lm
	GH0973.CAXT400EN	1 x 11.5 W LED 4000 K CRI>90	1 x 1577 lm

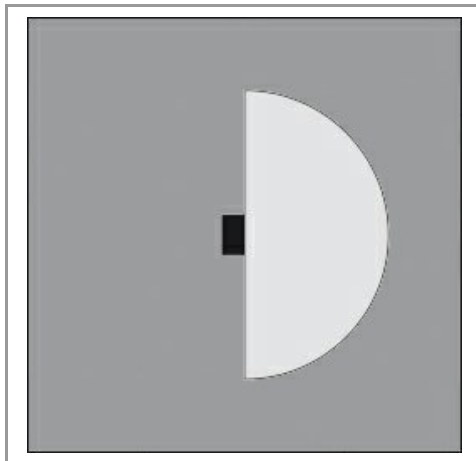
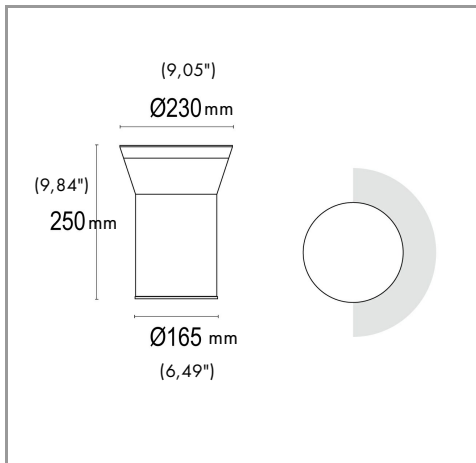
Operating Power:	110-277 V / 50-60 Hz
Number of heads:	1
Number of circuits:	1
Driver positioning:	Integral
Luminaire efficiency [lm/W]:	35.27 for model GH0973.FAXT300EN
	37.05 for model GH0973.FAXT400EN
	32.87 for model GH0973.CAXT300EN
	34.51 for model GH0973.CAXT400EN
Fixture consumption:	17.65 W for model GH0973.FAXT300EN
	17.65 W for model GH0973.FAXT400EN
	13.53 W for model GH0973.CAXT300EN
	13.53 W for model GH0973.CAXT400EN

Control gear type:	Electronic
Dimmer type:	Dimmable upon request
Cable entry:	Brass cable gland M12 Ø 3.5/7 mm
Daisy chain wiring:	External to the luminaire with IP68 connector available as an accessory
Cable type:	H05RN-F 2x1mm2
Cord length [m]:	0.5
Water-Lock system:	Included
Ambient temperature operating range [°C]:	-20 °C ÷ +35 °C

OPTICAL:

Beam angle [°]	180°
Light distribution	Other
Beam directionability	Fixed optics
Diffuser material	Vandal proof polycarbonate UV resistant
Diffuser finish	Transparent - extra clear
Optics	Reflector in anti-UV technopolymer with super pure aluminum metallization
Secondary optics	White painted aluminum reflector




LIGHTING SOURCE for model GH0973.FAXT300EN

Light source	LED
Type of bulb or LED	LED module
Light source [W]	15 W
Nominal LED emission [Lm]	2102 lm
Color temperature	3000 K
Color rendering index	CRI>90
Binning	Step MacAdam 3
LED voltage range [V]	43.5-47.5V
Current	350 mA
Luminaire emission [lm]	1 x 622
LED / Bulb	Included

LIGHTING SOURCE for model GH0973.FAXT400EN

Light source	LED
Type of bulb or LED	LED module
Light source [W]	15 W
Nominal LED emission [Lm]	2208 lm
Color temperature	4000 K
Color rendering index	CRI>90
Binning	Step MacAdam 3
LED voltage range [V]	43.5-47.5V
Current	350 mA
Luminaire emission [lm]	1 x 654
LED / Bulb	Included

LIGHTING SOURCE for model GH0973.CAXT300EN

Light source	LED
Type of bulb or LED	LED module
Light source [W]	11.5 W
Nominal LED emission [Lm]	1502 lm
Color temperature	3000 K
Color rendering index	CRI>90
Binning	Step MacAdam 3
LED voltage range [V]	43.5-47.5V
Current	250 mA
Luminaire emission [lm]	1 x 445
LED / Bulb	Included

LIGHTING SOURCE for model GH0973.CAXT400EN

Light source	LED
Type of bulb or LED	LED module
Light source [W]	11.5 W
Nominal LED emission [Lm]	1577 lm
Color temperature	4000 K
Color rendering index	CRI>90
Binning	Step MacAdam 3
LED voltage range [V]	43.5-47.5V
Current	250 mA
Luminaire emission [lm]	1 x 467
LED / Bulb	Included



MAXICONO D 250 180°

FINISH CODE:

- .05 Dark Grey (matt)
- .19 Light Grey
- .80 Sand
- .02 Black (matt)
- .45 Corten
- .62 Antique Grey

ACCESSORIES:



IP 68 connector for through wiring AC279



IP 68 fast connector AC204

