

CONSTRUCTIVE & DIMENSIONAL:

Application field:	Series of bollards with functional design available in various sizes and heights
Construction material:	Extruded aluminum EN AW-6060 T5 high resistance to oxidation, Die-cast aluminum EN AB 44100 highly resistant to oxidation
External screws:	Stainless steel A4-70 treated with highly antioxidant water-repellent lubricating solution
Gaskets:	Silicone gaskets
Diameter [mm]:	165mm(6,49")
Height / Projection [mm]:	250mm(9,84")

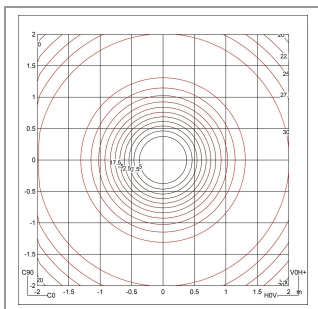
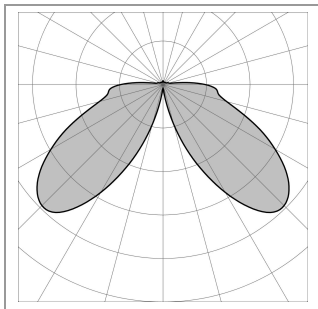
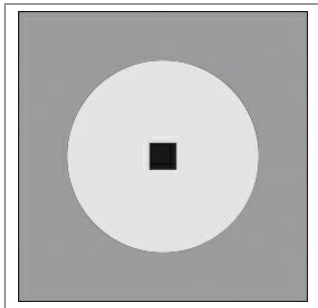
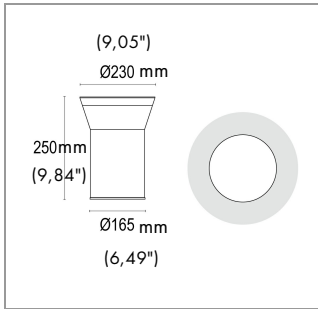
ELECTRICAL:

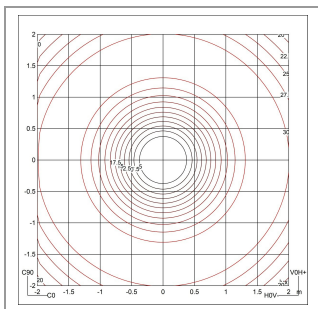
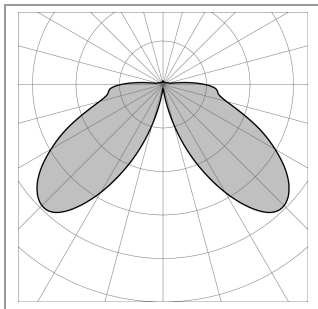
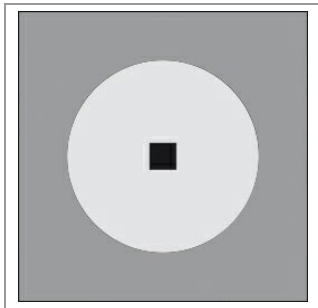
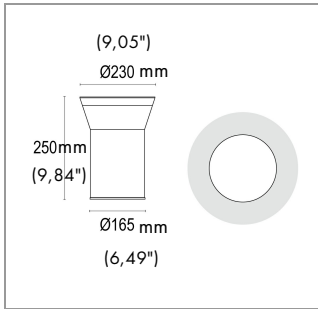
Description and Model Code:	GH0970.FNXT300EN	1 x 30 W LED 3000 K CRI>90	1 x 4204 lm
	GH0970.FNXT400EN	1 x 30 W LED 4000 K CRI>90	1 x 4416 lm
	GH0970.FGXT300EN	1 x 21 W LED 3000 K CRI>90	1 x 3003 lm
	GH0970.FGXT400EN	1 x 21 W LED 4000 K CRI>90	1 x 3155 lm

Operating Power:	110-277 V / 50-60 Hz
Number of heads:	1
Number of circuits:	1
Driver positioning:	Integral
Luminaire efficiency [lm/W]:	123.32 for model GH0970.FNXT300EN 129.54 for model GH0970.FNXT400EN 125.84 for model GH0970.FGXT300EN 132.21 for model GH0970.FGXT400EN
Fixture consumption:	34.09 W for model GH0970.FNXT300EN 34.09 W for model GH0970.FNXT400EN 23.86 W for model GH0970.FGXT300EN 23.86 W for model GH0970.FGXT400EN
Control gear type:	Electronic
Dimmer type:	Dimmable upon request
Cable entry:	Brass cable gland M12 Ø 3.5/7 mm
Daisy chain wiring:	External to the luminaire with IP68 connector available as an accessory
Cable type:	H05RN-F 2x1mm2
Cord length [m]:	0.5
Water-Lock system:	Included
Ambient temperature operating range [°C]:	-20 °C ÷ +35 °C

OPTICAL:

Beam angle [°]	360°
Light distribution	Other
Beam directionability	Fixed optics
Diffuser material	Vandal proof polycarbonate UV resistant
Diffuser finish	Transparent - extra clear
Optics	Reflector in anti-UV technopolymer with super pure aluminum metallization
Secondary optics	White painted aluminum reflector





LIGHTING SOURCE for model GH0970.FNXT300EN

Light source	LED
Type of bulb or LED	LED module
Light source [W]	30 W
Nominal LED emission [Lm]	4204 lm
Color temperature	3000 K
Color rendering index	CRI>90
Binning	Step MacAdam 3
LED voltage range [V]	43.5-47.5V
Courrent	700 mA
Luminaire emission [lm]	1 x 4204
LED / Bulb	Included

LIGHTING SOURCE for model GH0970.FNXT400EN

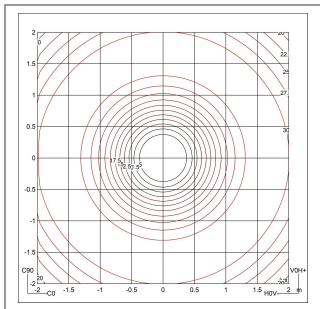
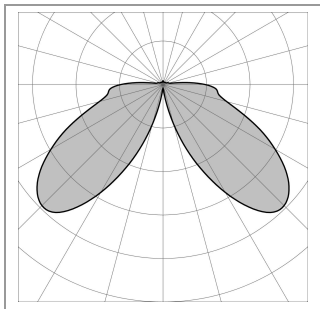
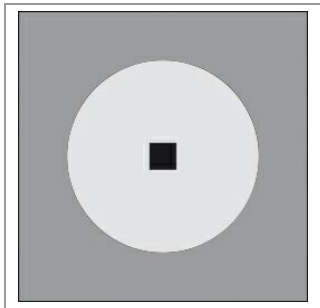
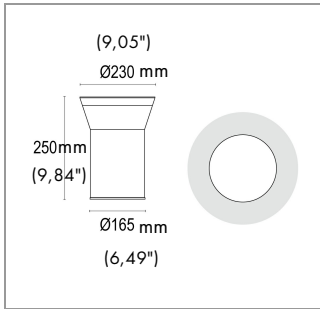
Light source	LED
Type of bulb or LED	LED module
Light source [W]	30 W
Nominal LED emission [Lm]	4416 lm
Color temperature	4000 K
Color rendering index	CRI>90
Binning	Step MacAdam 3
LED voltage range [V]	43.5-47.5V
Courrent	700 mA
Luminaire emission [lm]	1 x 4416
LED / Bulb	Included

LIGHTING SOURCE for model GH0970.FGXT300EN

Light source	LED
Type of bulb or LED	LED module
Light source [W]	21 W
Nominal LED emission [Lm]	3003 lm
Color temperature	3000 K
Color rendering index	CRI>90
Binning	Step MacAdam 3
LED voltage range [V]	43.5-47.5V
Courrent	500 mA
Luminaire emission [lm]	1 x 3003
LED / Bulb	Included

LIGHTING SOURCE for model GH0970.FGXT400EN

Light source	LED
Type of bulb or LED	LED module
Light source [W]	21 W
Nominal LED emission [Lm]	3155 lm
Color temperature	4000 K
Color rendering index	CRI>90
Binning	Step MacAdam 3
LED voltage range [V]	43.5-47.5V
Courrent	500 mA
Luminaire emission [lm]	1 x 3155
LED / Bulb	Included



FINISH CODE:

- .05 Dark Grey (matt)
- .02 Black (matt)
- .19 Light Grey
- .45 Corten
- .80 Sand
- .62 Antique Grey

ACCESSORIES:



IP 68 connector for through wiring AC279



IP 68 fast connector AC204

