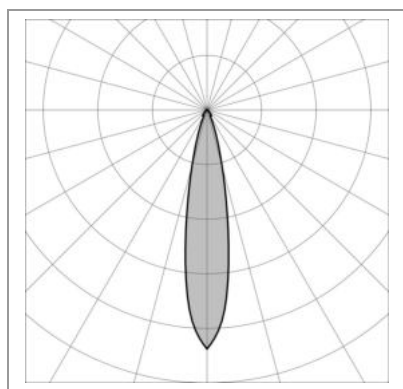
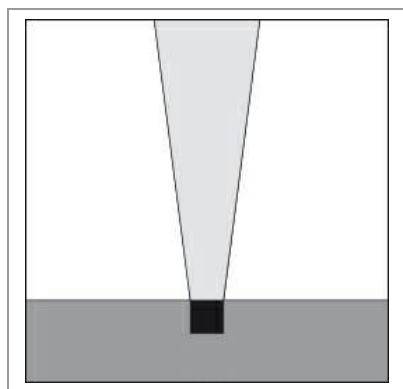
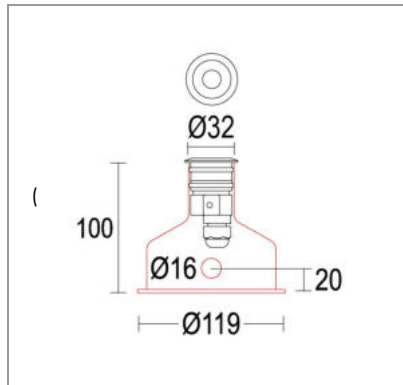
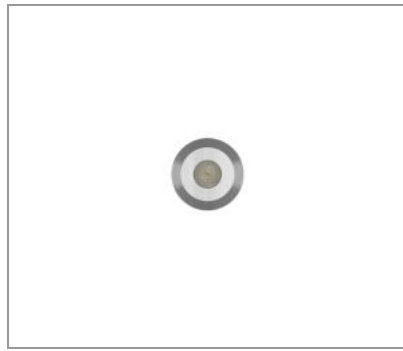


MICROSEGNO RD 32 20°



H(m)	φ(m)	lux med. 3000 K	lux max. 3000 K
5	1.8	13	20
4	1.4	20	32
3	1.1	36	57
2	0.7	81	128
1	0.4	323	511

for model GH1007.BAST300EC
1007.BAS.T

H(m)	φ(m)	lux med. 4000 K	lux max. 4000 K
5	1.8	14	23
4	1.4	22	35
3	1.1	40	63
2	0.7	90	142
1	0.4	358	567

for model GH1007.BAST400EC
1007.BBS.T

CONSTRUCTIVE & DIMENSIONAL:

Application field:	Series of recessed lighting fixtures characterized by a small dimension and shallow recess depth
Gaskets:	Silicone gaskets
Construction material:	Stainless steel AISI 316L, Extruded aluminum EN AW-6060 T5 high resistance to oxidation
Diameter [mm]:	32(1,25")
Height / Projection [mm]:	2.5(0,09")
Cutout shape:	Round
Recessed hole diameter [mm]:	30(1,18")
Recessed depth [mm]:	80 - 100(3,14"-3,93")
Rough in housing:	Thermoplastic to be ordered separately
Drainage:	200mm(7,87") of gravel or draining material. Alternatively, draining piping system.
Static load [Kg]:	500

ELECTRICAL:

Model Code:	GH1007.BAST300EC 1007.BAS.T GH1007.BAST400EC 1007.BBS.T
Protection against inversion of polarity:	Yes
Number of heads:	1
Description:	1 x 1.5 W LED 3000 K CRI>90 1 x 146 lm 1 x 1.5 W LED 4000 K CRI>90 1 x 162 lm
Luminaire efficiency [lm/W]:	53.79 for model GH1007.BAST300EC 1007.BAS.T 59.69 for model GH1007.BAST400EC 1007.BBS.T
Fixture consumption:	2 W
Operation Range:	500 mA
Number of circuits:	1
Control gear:	500 mA not included
Driver positioning:	Remote
Control gear type:	Electronic
Dimmer type:	Dimmable based on driver used
Cable entry:	Nylon cable gland M12 Ø 3,5/7 mm
Daisy chain wiring:	External to the luminaire with IP68 connector available as an accessory
Cable type:	FR5FOEM7-AD8 2x0.5mm2
Cord length [m]:	0.5
Water-Lock system:	Included
Emergency:	Not available
Ambient temperature operating range [°C]:	-20 °C ÷ +35 °C

OPTICAL:

Beam angle [°]:	20°
Light distribution:	Symmetrical medium flood (15° - 45°)
Beam directionability:	Fixed optics
Diffuser material:	Sodium-calcium tempered glass 5mm(0,19")
Diffuser finish:	Transparent - extra clear
Diffuser temperature [°C]:	< 40 °C / 104 °F
Optics:	Anti UV technopolymer lens



MICROSEGNO RD 32 20°

LIGHTING SOURCE for model GH1007.BAST300EC 1007.BAS.T

