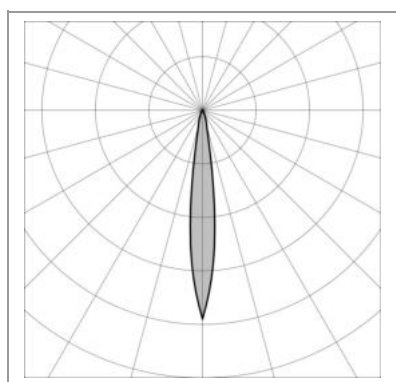
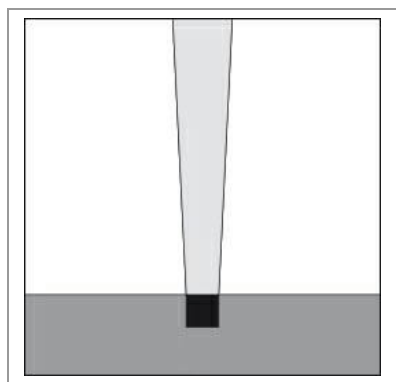
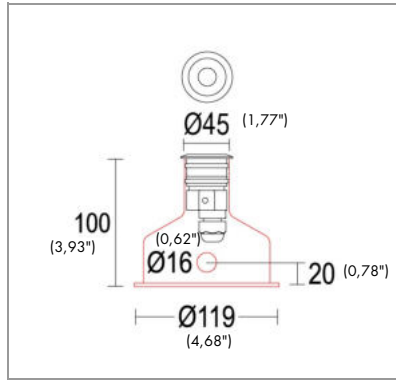
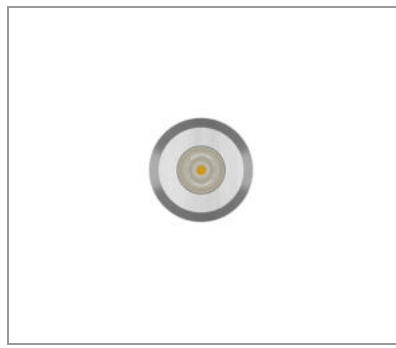


SEGNO RD 45 13°



H(m)	φ(m)	lux med. 3000 K	lux max. 3000 K
5	1.2	47	76
4	0.9	74	119
3	0.7	132	212
2	0.5	297	478
1	0.2	1187	1910

for model GH1008.BAST300EC
1008.BDS.T

H(m)	φ(m)	lux med. 4000 K	lux max. 4000 K
5	1.2	53	85
4	0.9	83	133
3	0.7	147	236
2	0.5	330	531
1	0.2	1320	2124

for model GH1008.BAST400EC
1008.BES.T



CONSTRUCTIVE & DIMENSIONAL:

Application field: Series of recessed lighting fixtures characterized by a small dimension and shallow recess depth

Gaskets: Silicone gaskets

Construction material: Stainless steel AISI 316L, Extruded aluminum EN AW-6060 T5 high resistance to oxidation

Diameter [mm]: 45(1,77")

Height / Projection [mm]: 2.5(0,09")

Cutout shape: Round

Recessed hole diameter [mm]: 40(1,57")

Recessed depth [mm]: 80 - 100(3,14"-3,93")

Rough in housing: Thermoplastic to be ordered separately

Drainage: 200mm(7,87") of gravel or draining material. Alternatively, draining piping system.

Static load [Kg]: 500

ELECTRICAL:

Model Code: GH1008.BAST300EC
1008.BDS.T

GH1008.BAST400EC
1008.BES.T

Protection against inversion of polarity: Yes

Number of heads: 1

Description: 1 x 2.1 W LED 3000 K CRI>90 1 x 196 lm
1 x 2.1 W LED 4000 K CRI>90 1 x 218 lm

Luminaire efficiency [lm/W]: 66.71 for model GH1008.BAST300EC 1008.BDS.T
74.2 for model GH1008.BAST400EC 1008.BES.T

Fixture consumption: 2.8 W

Operation Range: 700 mA

Number of circuits: 1

Control gear: 700 mA not included

Driver positioning: Remote

Control gear type: Electronic

Dimmer type: Dimmable based on driver used

Cable entry: Nylon cable gland M12 Ø 3,5/7 mm

Daisy chain wiring: External to the luminaire with IP68 connector available as an accessory

Cable type: FR5FOEM7-AD8 2x0.5mm2

Cord length [m]: 0.5

Water-Lock system: Included

Emergency: Not available

Ambient temperature operating range [°C]: -20 °C ÷ +35 °C

OPTICAL:

Beam angle [°]: 13°

Light distribution: Symmetrical narrow beam (<=15°)

Beam directionability: Fixed optics

Diffuser material: Sodium-calcium tempered glass 5mm(0,19")

Diffuser finish: Transparent - extra clear

Diffuser temperature [°C]: < 40 °C / 104 °F

Optics: Anti UV technopolymer lens

LIGHTING SOURCE for model GH1008.BAST300EC 1008.BDS.T

Light source	LED
Type of bulb or LED	LED module
Light source [W]	2.1 W
Nominal LED emission [Lm]	196 lm
Color temperature	3000 K
Color rendering index	CRI>90
Binning	Step MacAdam 3
Life Time LED [t]	60.000h - L80 - B10
LED voltage range [V]	3V
Current	700 mA
Luminaire emission [lm]	1 x 187
LED / Bulb	Included

LIGHTING SOURCE for model GH1008.BAST400EC 1008.BES.T

Light source	LED
Type of bulb or LED	LED module
Light source [W]	2.1 W
Nominal LED emission [Lm]	218 lm
Color temperature	4000 K
Color rendering index	CRI>90
Binning	Step MacAdam 3
Life Time LED [t]	60.000h - L80 - B10
LED voltage range [V]	3V
Current	700 mA
Luminaire emission [lm]	1 x 208
LED / Bulb	Included

FINISH CODE:

 .15 Stainless Steel
  .68 Natural Bronze

ACCESSORIES:


Rough-in housing
40x105 AC611



IP 68 fast
connector

