

H(m)	φ(m)	lux med. 3000 K	lux max. 3000 K
5	4.3	5	9
4	3.4	8	14
3	2.6	15	25
2	1.7	33	55
1	0.9	133	222

H(m)	φ(m)	lux med. 4000 K	lux max. 4000 K
5	4.3	6	10
4	3.4	9	15
3	2.6	16	27
2	1.7	37	62
1	0.9	148	247

for model GH1008.BAFT300EL

for model GH1008.BAFT400EL



CONSTRUCTIVE & DIMENSIONAL:

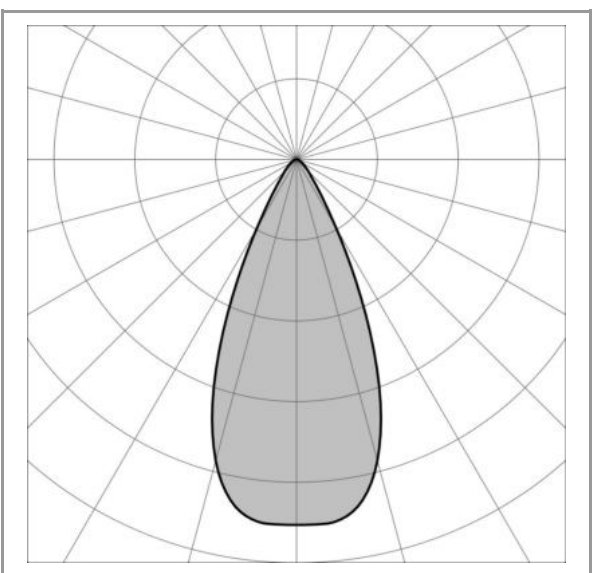
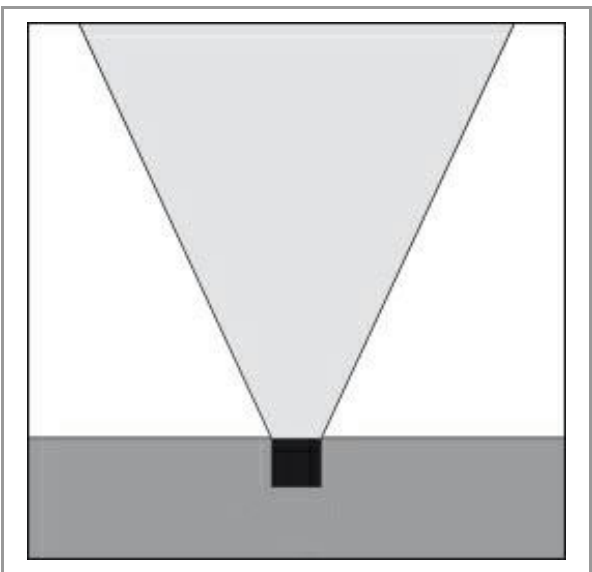
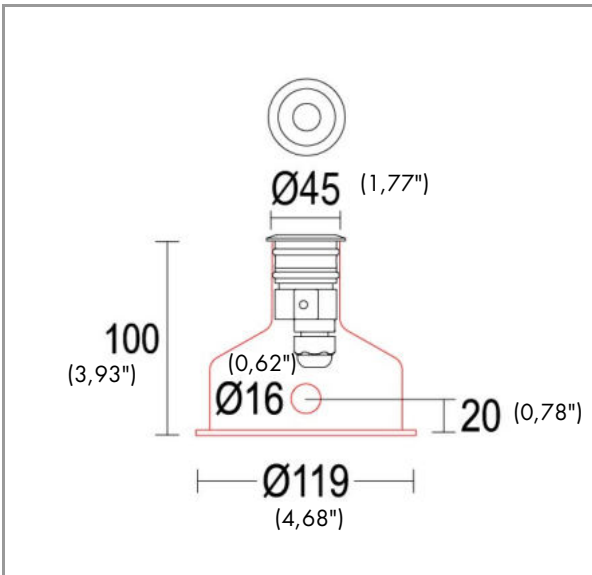
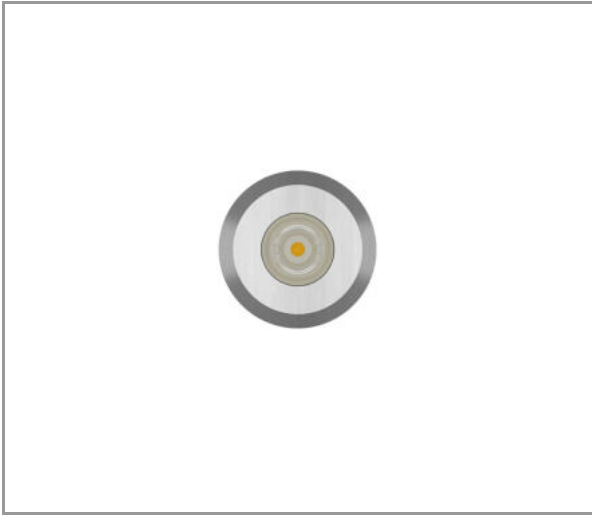
Application field:	Series of recessed lighting fixtures characterized by a small dimension and shallow recess depth
Gaskets:	Silicone gaskets
Construction material:	Stainless steel AISI 316L, Extruded aluminum EN AW-6060 T5 high resistance to oxidation
Diameter [mm]:	45(1,77")
Height / Projection [mm]:	2.5(0,09")
Cutout shape:	Round
Recessed hole diameter [mm]:	40(1,57")
Recessed depth [mm]:	80 - 100(3,14"-3,93")
Rough in housing:	Thermoplastic to be ordered separately
Drainage:	200mm(7,87") of gravel or draining material. Alternatively, draining piping system.
Static load [Kg]:	500

ELECTRICAL:

Model Code:	GH1008.BAFT300EL GH1008.BAFT400EL
Protection against inversion of polarity:	Yes
Number of heads:	1
Description:	1 x 2.1 W LED 3000 K CRI>90 1 x 196 lm 1 x 2.1 W LED 4000 K CRI>90 1 x 218 lm
Luminaire efficiency [lm/W]:	53.84 for model GH1008.BAFT300EL 59.88 for model GH1008.BAFT400EL
Fixture consumption:	2.8 W
Operation Range:	24 V DC
Number of circuits:	1
Control gear:	24 V DC not included
Driver positioning:	Remote
Control gear type:	Electronic
Dimmer type:	Dimmable based on driver used
Cable entry:	Nylon cable gland M12 Ø 3,5/7 mm
Daisy chain wiring:	External to the luminaire with IP68 connector available as an accessory
Cable type:	FR5FOEM7-AD8 2x0.5mm ²
Cord length [m]:	0.5
Water-Lock system:	Included
Emergency:	Not available
Ambient temperature operating range [°C]:	-20 °C ÷ +35 °C

OPTICAL:

Beam angle [°]:	46°
Light distribution:	Symmetrical wide beam (45° - 125°)
Beam directionability:	Fixed optics
Diffuser material:	Sodium-calcium tempered glass 5mm(0,19")
Diffuser finish:	Transparent - extra clear
Diffuser temperature [°C]:	< 40 °C / 104 °F
Optics:	Anti UV technopolymer lens



LIGHTING SOURCE for model GH1008.BAFT300EL

Light source	LED
Type of bulb or LED	LED module
Light source [W]	2.1 W
Nominal LED emission [Lm]	196 lm
Color temperature	3000 K
Color rendering index	CRI>90
Binning	Step MacAdam 3
Life Time LED [t]	60.000h - L80 - B10
LED voltage range [V]	3V
Current	700 mA
Luminaire emission [lm]	1 x 151
LED / Bulb	Included

LIGHTING SOURCE for model GH1008.BAFT400EL

Light source	LED
Type of bulb or LED	LED module
Light source [W]	2.1 W
Nominal LED emission [Lm]	218 lm
Color temperature	4000 K
Color rendering index	CRI>90
Binning	Step MacAdam 3
Life Time LED [t]	60.000h - L80 - B10
LED voltage range [V]	3V
Current	700 mA
Luminaire emission [lm]	1 x 168
LED / Bulb	Included

FINISH CODE:

.15 Stainless Steel
 .68 Natural Bronze

ACCESSORIES:



Rough-in housing
40x105 AC611



IP 68 fast
connector