

## DOUBLE BOLLARD 1103B-396-3012

Bollards/ BETALY  
Surface finish : BETALY NERO  
LED 10W / 110-277V / 800lm / 3000°K /CRI80

### MODEL:

Code 1103B  
Product family Bollards  
Type Bollards

### MATERIAL/SURFACE FINISH:

Code 396  
Material BETALY  
Surface finish BETALY NERO

### ELECTRICAL PART:

Code 3012  
Type LED  
Power 10W  
Tension 110-277V  
Light Output 800lm  
Colour Temperature 3000°K  
CRI 80

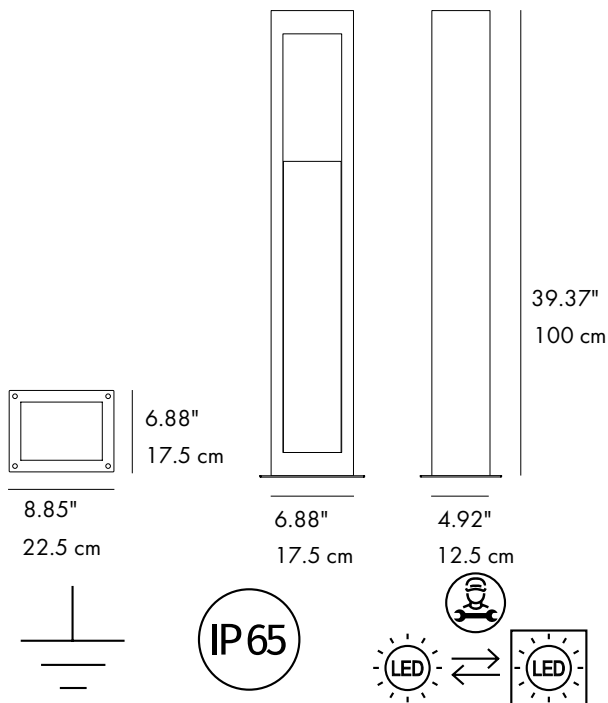
Dimmable On request\*  
Power Supply Integrated Power Supply  
Connection Screws  
Cover Tempered etched glass

### GENERAL DATA:

Protection Index IP65  
Isolation Class I  
Weight [Kg] 24.5  
Country of production MADE IN ITALY

### ACCESSORIES:

Code	Description
1103K	Cover-base in BETALY®

### FINISH OPTIONS:



On request available in white dyeable color

sales@gordonbullard.com  
www.bullardbollards.com  
1-877-964-4646



991 South Gull Lake Dr  
Richland, MI 49083  
USA