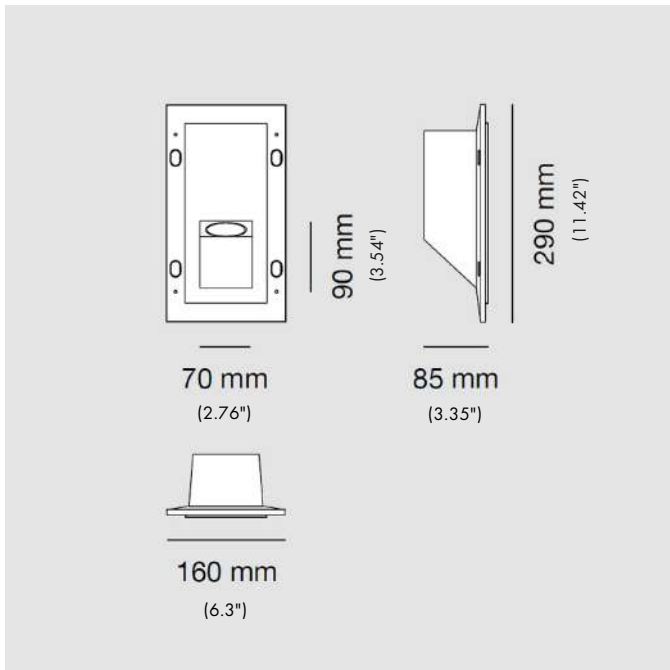




handmade in Italy



IP65



DIAGO

RECESSED Pathmarkers / BETALY
Surface finish : BETALY

MODEL:

Code	1302A-392-35
Product family	RECESSED LAMPS
Type	Pathmarkers

MATERIAL:

BETALY®

INSTALLATION:

Isolation Class:	II
IP:	IP65
Installation:	Recessed
Weight:	2,4 Kg

LIGHT SOURCE:

Light source	GU10 Ø35 mm
Power :	max 10W
Tension:	110-120V
Hz:	50/60

FINISH OPTIONS:



392

On request available in white dyeable color