

PRODUCT INFO:

Installation type:	Walk-over
Environments:	Urban landscape, façades and architectural works, wellness, hallway, conference hall, places of worship, residential lighting
Mounting type:	With rough-in housing
Mounting note:	On normally inflammable surfaces allowed.
Body:	Corrosion resistant die-cast aluminium body and dome.
Painting:	Polyester powder coating, with a pluriprocessed against corrosion (passed the exposure of over 1500 hours in a saline mist environment).
Screws:	AISI 304 stainless steel screws
Seals:	Silicone Rubber.
Static load:	2000Kg
Standard Colour:	AL aluminium grey
Option colors:	GR graphite satin finish

DIMENSIONS:

Total diameter device (mm):	215(8,46")
-----------------------------	------------

OPTICAL:

Diffuser:	Unbreakable UV-resistant polycarbonate
Beam:	Elliptical
Emission:	Direct
Adjustable:	Yes

ELECTRICAL:

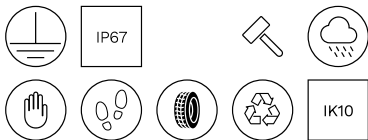
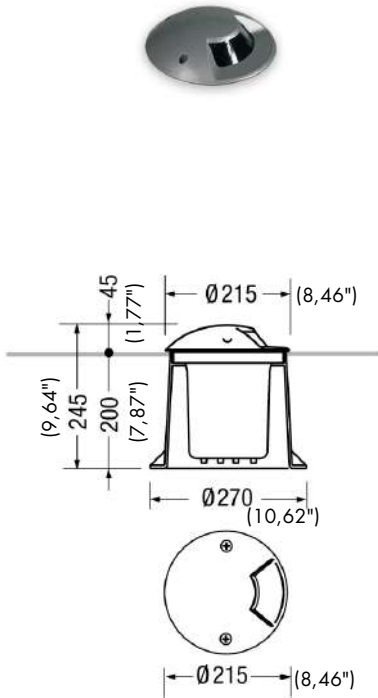
Item codes:	D44K/P2-LWNEB-AL D44K/P2-LWWEB-AL
Ballast type:	ON-OFF
Frequency:	50-60Hz
Lifetime:	50.000h L80B10 (Ta=25°C)
Line input:	Pre-wired and tested with resin sealed watertight H07RN-F - H05RN-F (tellux/PO1 model) cable (for a fast and secure connection to the main power line, use ACS/CR1 connector or similar).
Mounting ballast type:	Integral
Voltage:	110-277 V
Separate ignition:	No
Emergency 1E:	No
Emergency 3E:	No

LIGHTING SOURCE for model D44K/P2-LWNEB-AL

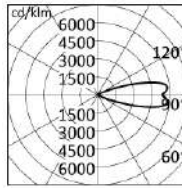
MacAdam:	Step 3
Output Flux:	320lm
Source type:	LED
System power:	10W
Temperature Colour:	4000K CRI>80

LIGHTING SOURCE for model D44K/P2-LWWEB-AL

MacAdam:	Step 3
Output Flux:	302lm
Source type:	LED
System power:	10W
Temperature Colour:	3000K CRI>80

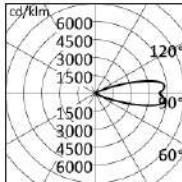


PHOTOMETRICS:



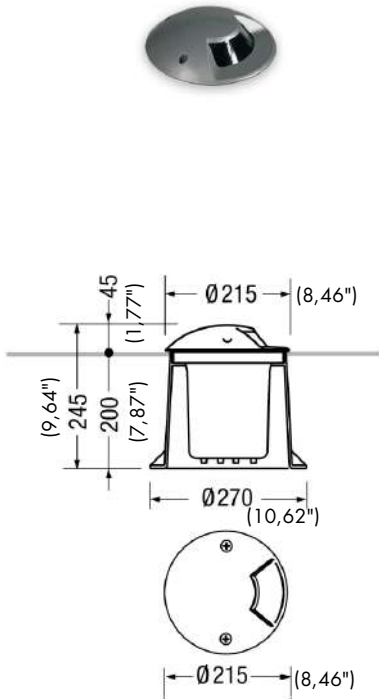
D44K/P2-LWNEB-AL

h (m)	Ø (m)	— $\gamma=0.0$ $\alpha=13^\circ$	Ø (m)	----- $\gamma=0.0$ $\beta=43^\circ$	Emed (lx)
10.00	2.09		5.84		15
8.00	1.67		4.67		24
6.00	1.25		3.50		42
4.00	0.83		2.34		95
2.00	0.42		1.17		378



D44K/P2-LWWEB-AL

h (m)	Ø (m)	— $\gamma=0.0$ $\alpha=13^\circ$	Ø (m)	----- $\gamma=0.0$ $\beta=43^\circ$	Emed (lx)
10.00	2.09		5.84		14
8.00	1.67		4.67		22
6.00	1.25		3.50		40
4.00	0.83		2.34		89
2.00	0.42		1.17		358



OPTIONAL ACCESSORIES:

Electrical



ACS/CR1

Fast IP68 connector 1bar (10m-1h) for cable Ø7-12mm - 3x1.5mm.



ACS/CR6

4 ways IP68 wiring box for cable Ø5-14mm - 3x1,5mm.

INCLUDED ACCESSORIES:

Rough-in housing

Ground and Wall rough-in housing box, high impact resistant composite technopolymer (Code PT0781).

