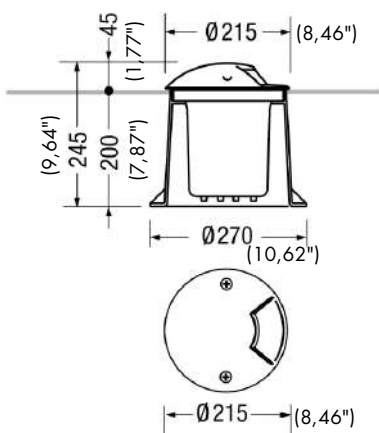


PRODUCT INFO:

Installation type: Walk-over
Environments: Urban landscape, façades and architectural works, wellness, hallway, conference hall, places of worship, residential lighting
Mounting type: With rough-in housing
Mounting note: On normally inflammable surfaces allowed.
Body: Corrosion resistant die-cast aluminium body and dome.
Painting: Polyester powder coating, with a pluriprocessed against corrosion (passed the exposure of over 1500 hours in a saline mist environment).
Screws: AISI 304 stainless steel screws
Seals: Silicone Rubber.
Static load: 2000Kg
Standard Colour: AL | aluminium grey
Option colors: GR | graphite satin finish



DIMENSIONS:

Total diameter device (mm): 215(8,46")

OPTICAL:

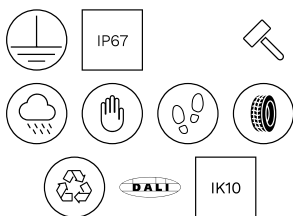
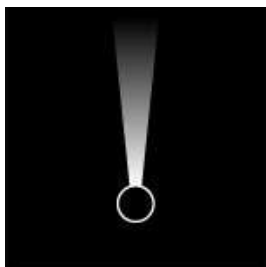
Diffuser: Unbreakable UV-resistant polycarbonate
Beam: Narrow
Emission: Direct
Adjustable: Yes

LIGHTING SOURCE for model D44K/P2-LWNNB-DD-AL

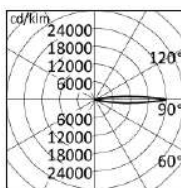
MacAdam: Step 3
Output Flux: 342lm
Source type: LED
System power: 10W
Temperature Colour: 4000K CRI>80

LIGHTING SOURCE for model D44K/P2-LWWNB-DD-AL

MacAdam: Step 3
Output Flux: 323lm
Source type: LED
System power: 10W
Temperature Colour: 3000K CRI>80

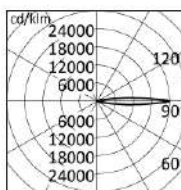


PHOTOMETRICS:



D44K/P2-LWNNB-DD-AL

h (m)	Ø (m)	Y=0.0 α=β=17°	Emed (lx)
10.00	1.87		71
8.00	1.50		99
6.00	1.12		171
4.00	0.75		387
2.00	0.37		1544



D44K/P2-LWWNB-DD-AL

h (m)	Ø (m)	Y=0.0 α=β=17°	Emed (lx)
10.00	1.87		68
8.00	1.50		92
6.00	1.12		164
4.00	0.75		370
2.00	0.37		1530

sales@gordonbullard.com
www.bullardbollards.com
 1-877-964-4646



991 South Gull Lake Dr
 Richland, MI 49083
 USA

OPTIONAL ACCESORIES:

Electrical



ACS/CR7

IP68 connector plug and socket terminal for cable Ø7-12mm - 5x0,5-1,5mm².



ACS/FX05

3 ways IP68 wiring box for DALI looping connection.

