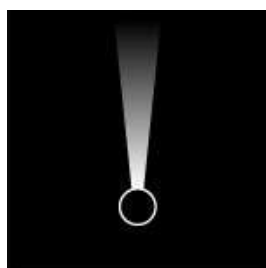
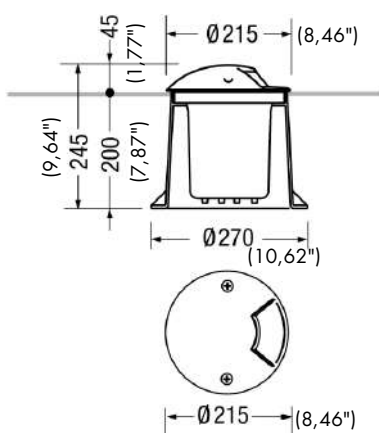


## PRODUCT INFO:

Installation type:	Walk-over
Environments:	Urban landscape, façades and architectural works, wellness, hallway, conference hall, places of worship, residential lighting
Mounting type:	With rough-in housing
Mounting note:	On normally inflammable surfaces allowed.
Body:	Corrosion resistant die-cast aluminium body and dome.
Painting:	Polyester powder coating, with a pluriprocessed against corrosion (passed the exposure of over 1500 hours in a saline mist environment).
Screws:	AISI 304 stainless steel screws
Seals:	Silicone Rubber.
Static load:	2000Kg
Standard Colour:	AL   aluminium grey
Option colors:	GR   graphite satin finish



## DIMENSIONS:

Total diameter device (mm):	215(8,46")
-----------------------------	------------

## OPTICAL:

Diffuser:	Unbreakable UV-resistant polycarbonate
Beam:	Narrow
Emission:	Direct
Adjustable:	Yes

## ELECTRICAL:

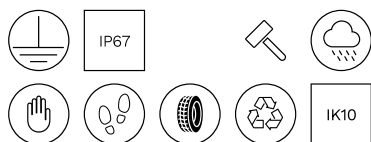
Item codes:	D44K/P2-LWNNB-AL D44K/P2-LWWNB-AL
Ballast type:	ON-OFF
Frequency:	50-60Hz
Lifetime:	50.000h L80B10 (Ta=25°C)
Line input:	Pre-wired and tested with resin sealed watertight H07RN-F - H05RN-F (tellux/PO1 model) cable (for a fast and secure connection to the main power line, use ACS/CR1 connector or similar).
Mounting ballast type:	Integral
Voltage:	110-277 V
Separate ignition:	No
Emergency 1E:	No
Emergency 3E:	No

## LIGHTING SOURCE for model D44K/P2-LWNNB-AL

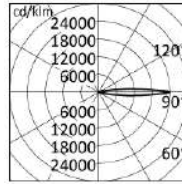
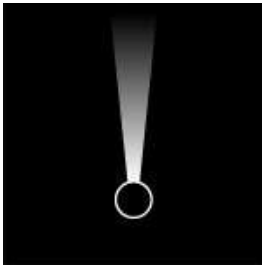
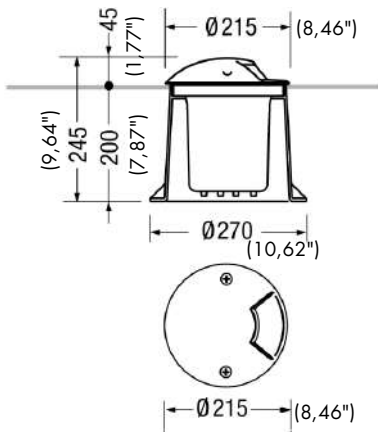
MacAdam:	Step 3
Output Flux:	342lm
Source type:	LED
System power:	10W
Temperature Colour:	4000K CRI>80

## LIGHTING SOURCE for model D44K/P2-LWWNB-AL

MacAdam:	Step 3
Output Flux:	323lm
Source type:	LED
System power:	10W
Temperature Colour:	3000K CRI>80

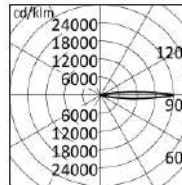


### PHOTOMETRICS:



D44K/P2-LWNNB-AL

h (m)	$\varnothing$ (m)	$\gamma=0.0$ $\alpha=\beta=17^\circ$	Emed(lx)
10.00	1.87		71
8.00	1.50		99
6.00	1.12		171
4.00	0.75		387
2.00	0.37		1544



D44K/P2-LWVNB-AL

h (m)	$\varnothing$ (m)	$\gamma=0.0$ $\alpha=\beta=17^\circ$	Emed(lx)
10.00	1.87		68
8.00	1.50		92
6.00	1.12		164
4.00	0.75		370
2.00	0.37		1530

### OPTIONAL ACCESSORIES:

#### Electrical



ACS/CR1

Fast IP68 connector 1bar (10m-1h) for cable  $\varnothing 7-12\text{mm} - 3 \times 1.5\text{mm}$ .



ACS/CR6

4 ways IP68 wiring box for cable  $\varnothing 5-14\text{mm} - 3 \times 1,5\text{mm}$ .

### INCLUDED ACCESSORIES:

Rough-in housing

Ground and Wall rough-in housing box, high impact resistant composite technopolymer (Code PT0781).

