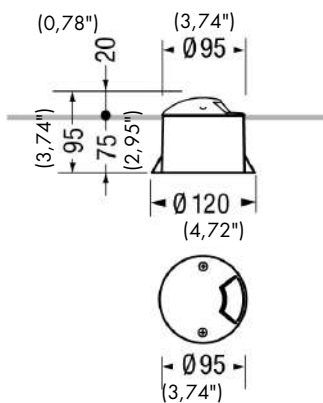




PRODUCT INFO:

Installation type:	Walk-over
Environments:	Urban landscape, façades and architectural works, wellness, hallway, conference hall, places of worship, residential lighting
Mounting type:	With rough-in housing
Mounting note:	On normally inflammable surfaces allowed.
Body:	Corrosion resistant die-cast aluminium body and dome.
Painting:	Polyester powder coating, with a pluriprocessed against corrosion (passed the exposure of over 1500 hours in a saline mist environment).
Screws:	AISI 304 stainless steel screws
Seals:	Silicone Rubber.
Static load:	2000Kg
Standard Colour:	AL aluminium grey
Option colors:	GR graphite satin finish



DIMENSIONS:

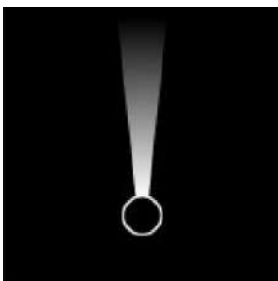
Total diameter device (mm): 95(3,74")

OPTICAL:

Diffuser:	Unbreakable UV-resistant polycarbonate
Beam:	Narrow
Emission:	Direct
Adjustable:	Yes

ELECTRICAL:

Item codes:	D44K/P01-LWNNB-A D44K/P01-LWWNB-AL
Ballast type:	ON-OFF.
Frequency:	50-60Hz
Lifetime:	60.000h L90B10 (Ta=25°C)
Line input:	Pre-wired and tested with resin sealed watertight H07RN-F - H05RN-F (tellux/P01 model) cable (for a fast and secure connection to the main power line, use ACS/CR1 connector or similar).
Mounting ballast type:	Integral
Voltage:	110-277 V
Separate ignition:	No
Emergency 1E:	No
Emergency 3E:	No

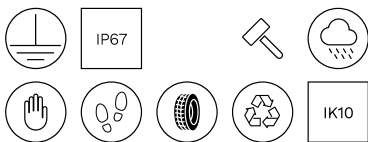


LIGHTING SOURCE for model D44K/P01-LWNNB-AL

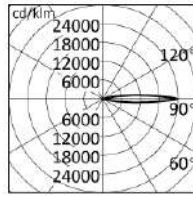
MacAdam:	Step 3
Output Flux:	54lm
Source type:	LED
System power:	2W
Temperature Colour:	4000K CRI>80

LIGHTING SOURCE for model D44K/P01-LWWNB-AL

MacAdam:	Step 3
Output Flux:	57lm
Source type:	LED
System power:	2W
Temperature Colour:	4000K CRI>80

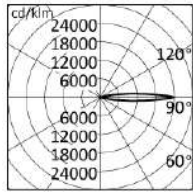


PHOTOMETRICS:



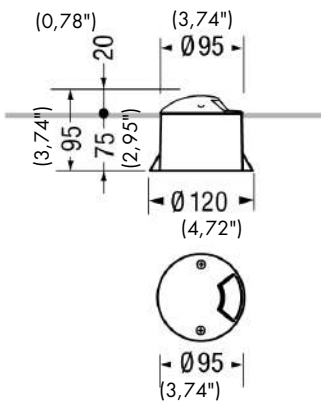
D44K/P01-LWNNB-AL

h (m)	Ø (m)	Emed (lx)
5.00	1.64	11
4.00	1.31	17
3.00	0.99	30
2.00	0.66	68
1.00	0.33	272



D44K/P01-LWWNB-AL

h (m)	Ø (m)	Emed (lx)
5.00	1.64	9
4.00	1.31	14
3.00	0.99	25
2.00	0.66	56
1.00	0.33	226



OPTIONAL ACCESSORIES:

Electrical



ACS/CR1

Fast IP68 connector 1bar (10m-1h) for cable Ø7-12mm - 3x1.5mm.



ACS/CR6

4 ways IP68 wiring box for cable Ø5-14mm - 3x1,5mm.

INCLUDED ACCESSORIES:

Rough-in housing

Ground and Wall rough-in housing box, high impact resistant composite technopolymer (Code PT0781).

