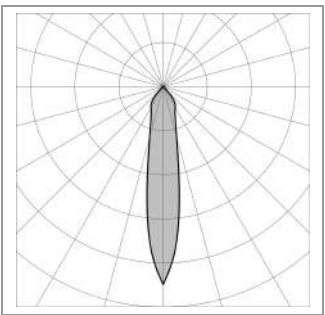
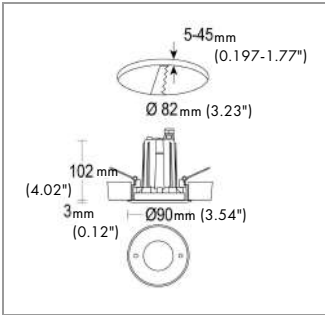


## CONSTRUCTIVE & DIMENSIONAL:



Application field:	Series of ceiling recessed lighting fixtures characterized by a shallow recess depth.
Construction material:	Stainless steel AISI 31 6L, Die-cast aluminum EN AB 44100 highly resistant to oxidation
Gaskets:	Silicone gaskets
External screws:	Stainless steel A4-70 treated with highly antioxidant water-repellent lubricating solution
Diameter:	90mm(3.54")
Height / Projection:	3
Cutout shape:	Round
Recessed hole diameter:	82mm(3.23")
Recessed depth:	135mm(5.31")
Rough in housing:	Polypropylene to be ordered separatly
Drainage:	300mm of gravel or draining material. Alternatively, draining piping system.
Static load: [Kg]	2500

## ELECTRICAL: GH5960.CASTUNEC

Description:	1 x 9 W LED 2700-6500 K CRI>90 1 x 912 lm
Luminaire efficiency: [lm/W]	69.71
Fixture consumption:	10.59 W
Operation Range:	500 mA
Number of circuits:	1
Control gear:	500 mA not included
Driver positioning:	Remote
Control gear type:	Electronic
Dimmer type:	Dim based on driver
Cable entry:	Metal cable gland M20 Ø 7/13 mm
Daisy chain wiring:	External to the luminaire with IP68 connector available as an accessory
Cable type:	H07RN8-F 3x1 mm2
Cord length: [m]	0.5
Water-Lock system:	Included
Emergency:	Not available
Ambient temperature operating range:[°C]	-20 °C ÷ +35 °C

## OPTICAL:

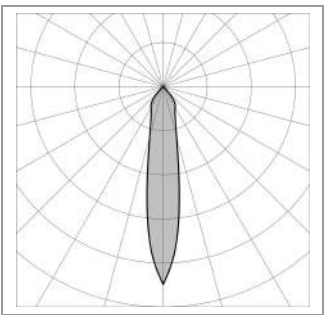
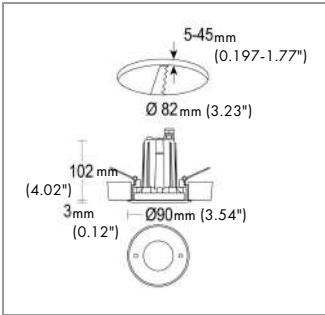
Beam angle: [°]	19°
Light distribution:	Symmetrical medium flood (15 ° - 45 °)
Beam directionability:	Fixed optics
Diffuser material:	Tempered glass 8mm
Diffuser finish:	Transparent - extra clear
Diffuser temperature: [°C]	< 30 °C
Optics:	Reflector in anti-UV technopolymer with super pure aluminum metallization

## LIGHTING SOURCE,

Light source:	LED
Type of bulb or LED:	COB
Light source: [W]	9W
Nominal LED emission: [Lm]	912 lm
Color temperature:	2700-6500 K
Binning:	Step MacAdam 3
LED voltage range: [V]	18V
Current:	500 mA
Luminaire emission [lm]	1 x 1 x 738

H(m)	Φ(m)	Lux Medi	Lux Max
5	0	0	0
4	0	0	0
3	0	0	0
2	0	0	0
1	0	0	0







H(m)	Φ(m)	Lux Medi	Lux Max
5	0	0	0
4	0	0	0
3	0	0	0
2	0	0	0
1	0	0	0



## FINISH OPTIONS:

- Standard Colors**
- 15 Stainless steel
  - .68 Natural bronze
- Up-On Request Colors**
- .01 White (matt)
  - .02 Black (matt)
  - .05 Anthracite grey (matt)
  - .19 Light grey (matt)
  - .45 Corten (matt)
  - .80 Sand (matt)

## ACCESSORIES:

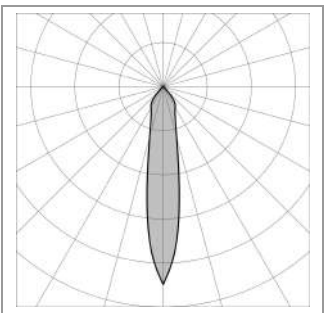
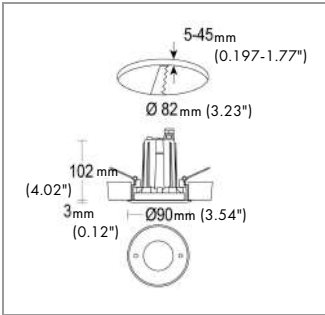
-  IP66 remote power supply box AC205-IP66
-  Driver LED IP67 Dimmable AC021.035

sales@gordonbullard.com  
 www.bullardbollards.com  
 1-877-964-4646



991 South Gull Lake Dr  
 Richland, MI 49083  
 USA

### CONSTRUCTIVE & DIMENSIONAL:



H(m)	Φ(m)	Lux Medi	Lux Max
5	0	0	0
4	0	0	0
3	0	0	0
2	0	0	0
1	0	0	0



Application field:	Series of ceiling recessed lighting fixtures characterized by a shallow recess depth.
Construction material:	Stainless steel AISI 31 6L, Die-cast aluminum EN AB 44100 highly resistant to oxidation
Gaskets:	Silicone gaskets
External screws:	Stainless steel A4-70 treated with highly antioxidant water-repellent lubricating solution
Diameter:	90mm(3.54")
Height / Projection:	3
Cutout shape:	Round
Recessed hole diameter:	82mm(3.23")
Recessed depth:	135mm(5.31")
Rough in housing:	Polypropylene to be ordered separately
Drainage:	300mm of gravel or draining material. Alternatively, draining piping system.
Static load: [Kg]	2500

### ELECTRICAL:

### GH5960.CAMTTUNEC

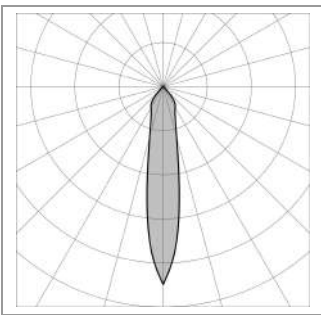
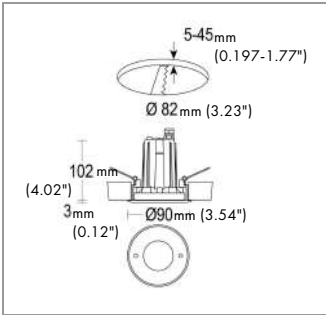
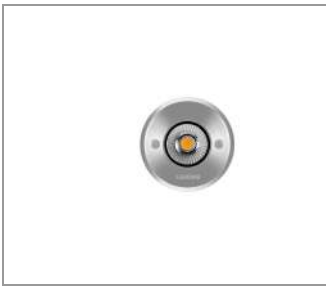
Description:	1 x 9 W LED 2700-6500 K CRI>90 1 x 912 lm
Luminaire efficiency: [lm/W]	69.71
Fixture consumption:	10.59 W
Operation Range:	500 mA
Number of circuits:	1
Control gear:	500 mA not included
Driver positioning:	Remote
Control gear type:	Electronic
Dimmer type:	Dim based on driver
Cable entry:	Metal cable gland M20 Ø 7/13 mm
Daisy chain wiring:	External to the luminaire with IP68 connector available as an accessory
Cable type:	H07RN8-F 3x1 mm2
Cord length: [m]	0.5
Water-Lock system:	Included
Emergency:	Not available
Ambient temperature operating range:[°C]	-20 °C ÷ +35 °C

### OPTICAL:

Beam angle: [°]	19°
Light distribution:	Symmetrical medium flood (15 ° - 45 °)
Beam directionability:	Fixed optics
Diffuser material:	Tempered glass 8mm
Diffuser finish:	Transparent - extra clear
Diffuser temperature: [°C]	< 30 °C
Optics:	Reflector in anti-UV technopolymer with super pure aluminum metallization

### LIGHTING SOURCE,

Light source:	LED
Type of bulb or LED:	COB
Light source: [W]	9W
Nominal LED emission: [Lm]	912 lm
Color temperature:	2700-6500 K
Binning:	Step MacAdam 3
LED voltage range: [V]	18V
Current:	500 mA
Luminaire emission [lm]	1 x 738



H(m)	Φ(m)	Lux Medi	Lux Max
5	0	0	0
4	0	0	0
3	0	0	0
2	0	0	0
1	0	0	0



## FINISH OPTIONS:

- Standard Colors**
- 15 Stainless steel
  - .68 Natural bronze
- Up-On Request Colors**
- .01 White (matt)
  - .02 Black (matt)
  - .05 Anthracite grey (matt)
  - .19 Light grey (matt)
  - .45 Corten (matt)
  - .80 Sand (matt)

## ACCESSORIES:



IP66 remote power supply box  
AC205-IP66



Driver LED IP67 Dimmable  
AC021.035

sales@gordonbullard.com  
www.bullardbollards.com  
1-877-964-4646



991 South Gull Lake Dr  
Richland, MI 49083  
USA