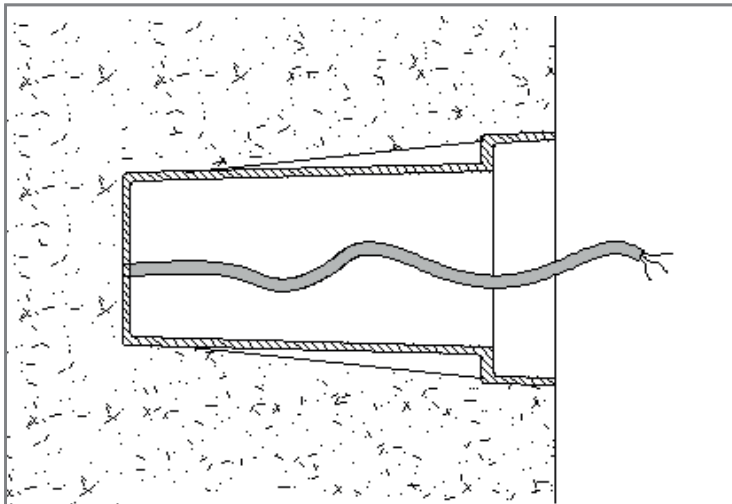




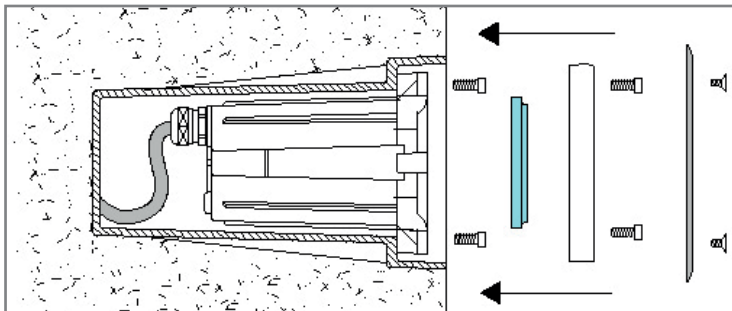
Wall version

IP 67

IK 07

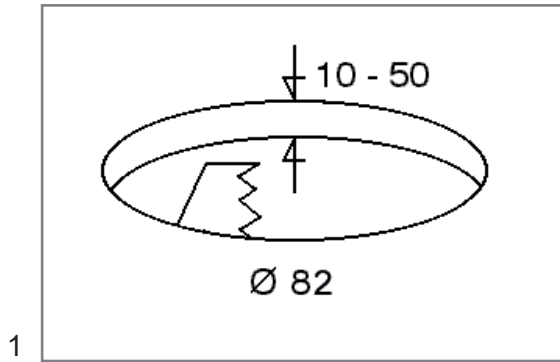


GB: Recess the protection cage into the concrete , taking care this is correctly aligned with the surface level.

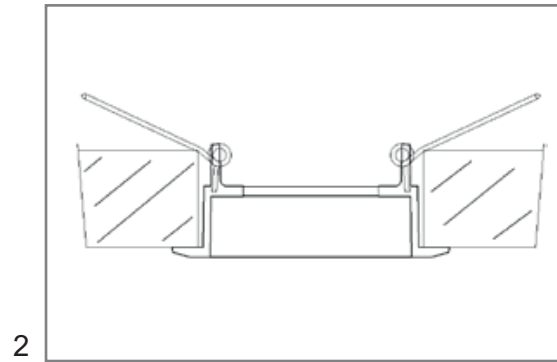


GB: Screw the housing to the sleeve, lay the diffuser, overlap the aluminium ring and screw tightly.

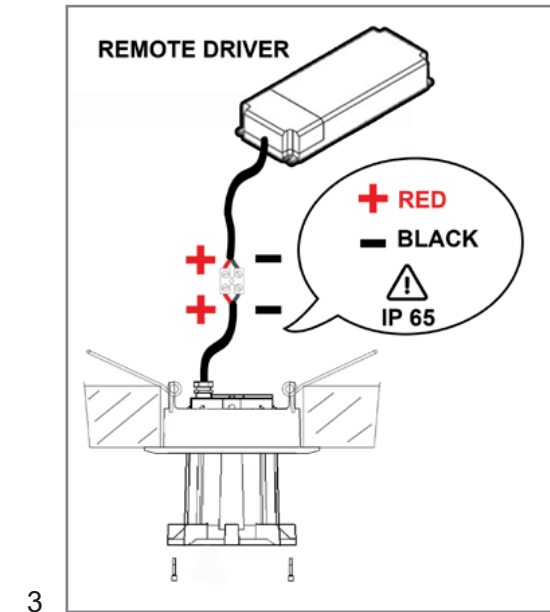
Ceiling version



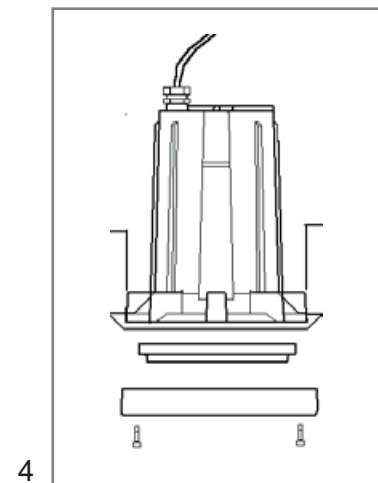
Make a hole Ø 82 in the desired positions



Fit the ring equipped with the bearing brackets as show aside

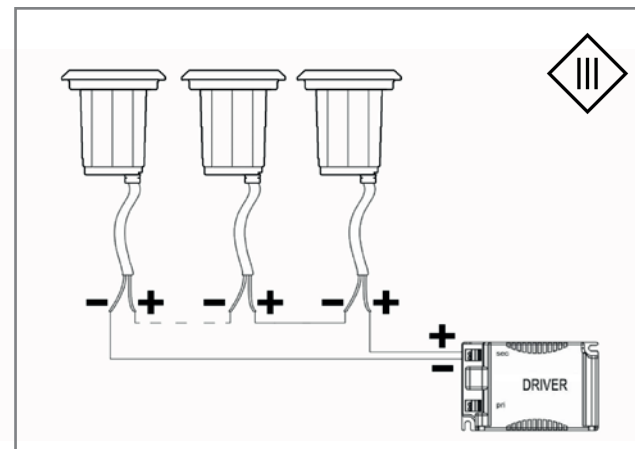


Attach the luminaire to the ring using the two screws



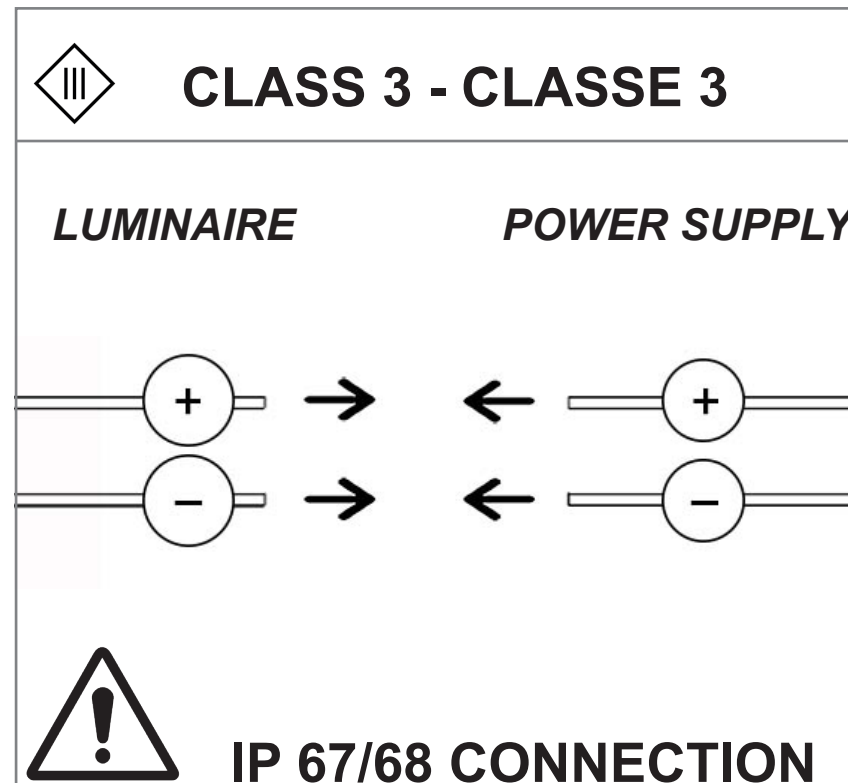
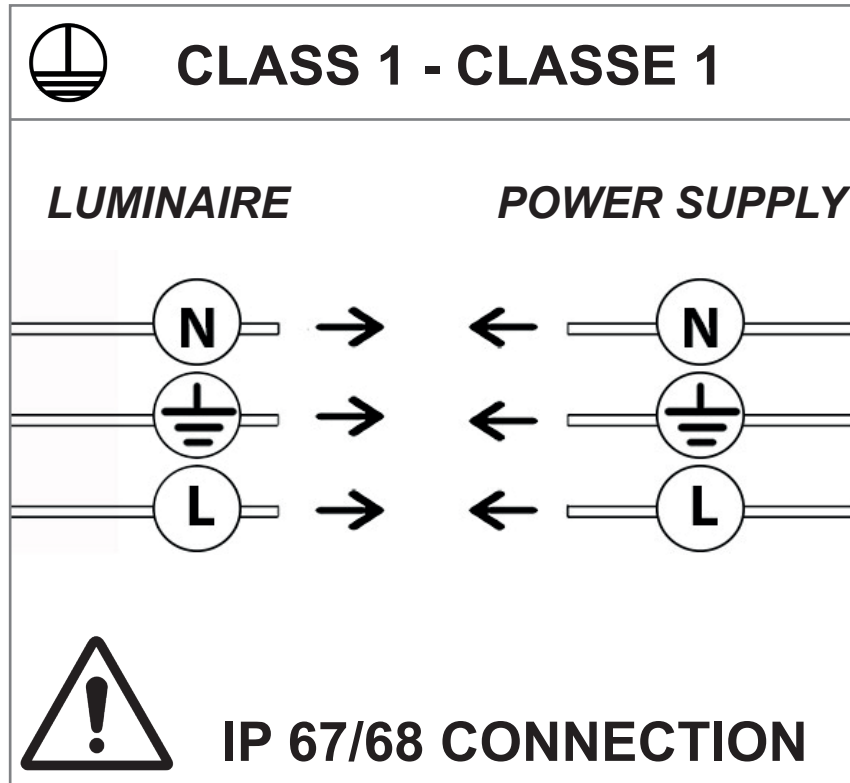
Place the aluminium ring in position and block using the screws supplied. (max. 2N/m)

Remote driver – Connection in series



**! MAX 3 APPARECCHI
MAX. 3 LUMINAIRES**

< 60V



(GB) WARNING:

THE SAFETY OF THIS FIXTURE IS GUARANTEED ONLY IF YOU COMPLY WITH THESE INSTRUCTIONS; REMEMBER TO KEEP IN A SAFE PLACE. THE APPLIANCE MUST NOT BE TAMPERED WITH OR TRANSFORMED AND IT MUST BE INSTALLED AND USED AS SUPPLIED AND IN COMPLIANCE WITH THE NATIONAL RULES ON INSTALLATIONS. SWITCH-OFF THE POWER SUPPLY BEFORE CARRYING OUT ANY MAINTENANCE OPERATIONS. HOT PLUG-IN IS NOT ALLOW AND MAY CAUSE DAMAGE TO THE LUMINAIRE. THE LIGHT SOURCE CONTAINED IN THIS LUMINAIRE SHALL BE REPLACED ONLY BY THE MANUFACTURER OR HIS SERVICE AGENT. INSTALLATION AND SERVICE MUST BE PERFORMED BY QUALIFIED SERVICE PERSONNEL. ANY NON-COMPLIANT INSTALLATIONS WILL INVALIDATE ALL FORMS OF GUARANTEE.

GB REPLACE DAMAGED PROTECTION SCREENS



sales@gordonbullard.com
 www.bullardbollards.com
 1-877-964-4646



991 South Gull Lake
 Dr Richland, MI
 49083 USA

Due to the dynamic nature of lighting products and the associated technologies, luminaire data on all sheet sheets is subject to change at the discretion of Gordon Bullard LLC and associated companies.