

**ARGOR**

Guide lights

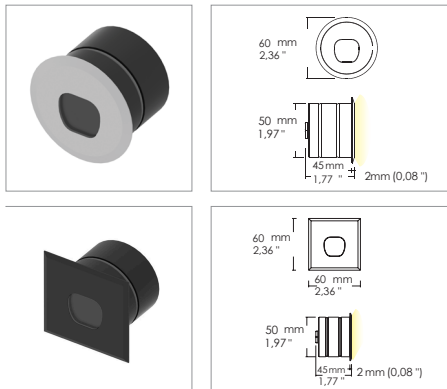
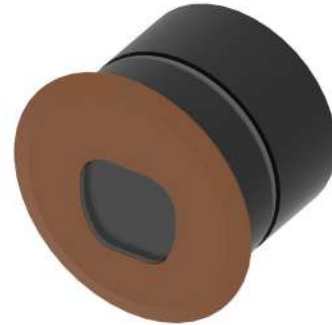
Code: 3052

**Application**

Wall

- Recessed asymmetrical spotlight IP66 with 1x1.7W LED
- Aluminum alloy body and flange with PMMA front protection
- Wall installation with outer casing provided
- Provided with 1m of 2x0.5 Neoprene cable
- Power supply unit not included

KELVIN	CRI	REAL OUTPUT
2700	90	~ 100
3000	90	~ 125
4000	75	~ 130
5000		



Code: 3052

SHAPE	FINISH	COLOUR	OPTICALS
Round	10 Grey ANODIZED	5 5000 K	1 Asymmetric
Square	20 Black	6 4000 K	2 Asymmetric
	Black	7 3000 K	3 Asymmetric
	Cor-ten	8 2700 K	4 Asymmetric
		W Red	5 Asymmetric
		Green	6 Asymmetric
		Blu	0 Asymmetric


 Output: 3Vdc  
 Input: 110-277V

**ACCESSORIES**

305000013	Outer casing
330002100	Power supply for max 3 pcs
330002200	Power supply for 4-12 pcs
307500010	Neoprene cable 2x0.5
307500020	IP68 connector
307500041	NOW System with 24vdc - 500mA converter

Mail: sales@gordonbullard.com

Web: www.bullardbollards.com

Tel: 1-877-964-4646



991 South Gull Lake Dr

Richland, MI 49083

USA