

WING Q WALL LAMP MONO EMISSION 1090A-396-30173

Wall lamp/ BETALY
Surface finish : BETALY NERO
LED 6W / 24Vdc/ 800lm / 3000°K / CR180

MODEL:

Code 1090A
Product family Wall Lamp
Type Wall Lamp

MATERIAL/SURFACE FINISH:

Code 396
Material BETALY
Surface finish BETALY NERO

ELECTRICAL PART:

Code 30173
Type LED
Power 6W
Tension 24Vdc
Light Output 800lm
Colour 3000°K
Temperature CRI 80
Dimmable on request*
Power Supply Remote Power Supply
Connection Screws

GENERAL DATA:

Protection Index IP65
Isolation Class I
Weight [Kg] 1
Country of production MADE IN ITALY

FINISH OPTIONS:



On request available in white dyeable color

sales@gordonbullard.com
www.bullardbollards.com
1-877-964-4646



991 South Gull Lake Dr
Richland, MI 49083
USA



WING Q WALL LAMP DUO EMISSION 1090A-396-30174

Wall lamp/ BETALY
Surface finish : BETALY NERO
LED 12W /24Vdc/ 1600lm / 3000°K / CRI80

MODEL:

Code	1090A
Product family	Wall Lamp
Type	Wall Lamp

MATERIAL/SURFACE FINISH:

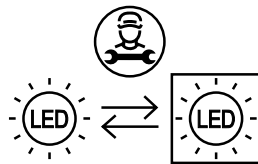
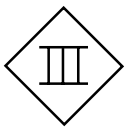
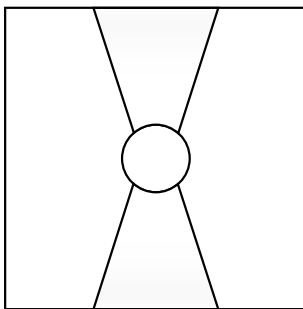
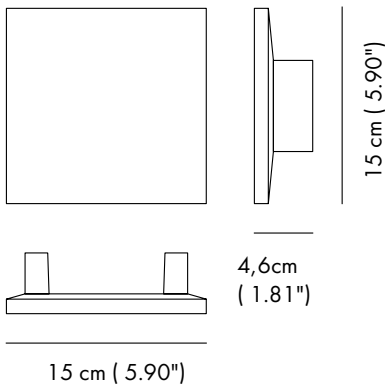
Code	396
Material	BETALY
Surface finish	BETALY NERO

ELECTRICAL PART:

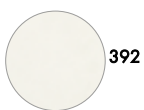
Code	30174
Type	LED
Power	12W
Tension	24Vdc
Light Output	1600lm
Colour	3000°K
Temperature	CRI 80
Dimmable	on request*
Power Supply	Remote Power Supply
Connection	Screws

GENERAL DATA:

Protection Index	IP65
Isolation Class	I
Weight [Kg]	1
Country of production	MADE IN ITALY



FINISH OPTIONS:



392



393



394



395



396



397

On request available in white dyeable color

sales@gordonbullard.com
www.bullardbollards.com
1-877-964-4646



991 South Gull Lake Dr
Richland, MI 49083
USA