

WING Q BIG WALL LAMP MONO EMISSION 1090B-396-30175

Wall lamp/ BETALY
Surface finish : BETALY NERO
LED 12W / 24Vdc/ 1600lm / 3000°K / CRI80

MODEL:

Code 1090B
Product family Wall Lamp
Type Wall Lamp

MATERIAL/SURFACE FINISH:

Code 396
Material BETALY
Surface finish BETALY NERO

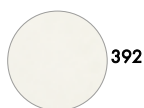
ELECTRICAL PART:

Code 30175
Type LED
Power 12W
Tension 24Vdc
Light Output 1600lm
Colour Temperature 3000°K
CRI 80
Dimmable on request*
Power Supply Remote Power Supply
Connection Screws

GENERAL DATA:

Protection Index IP65
Isolation Class I
Weight [Kg] 1.2
Country of production MADE IN ITALY

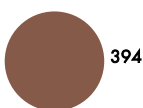
FINISH OPTIONS:



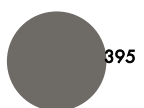
392



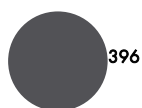
393



394



395



396



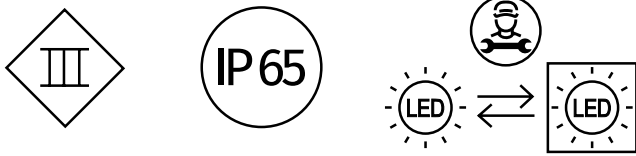
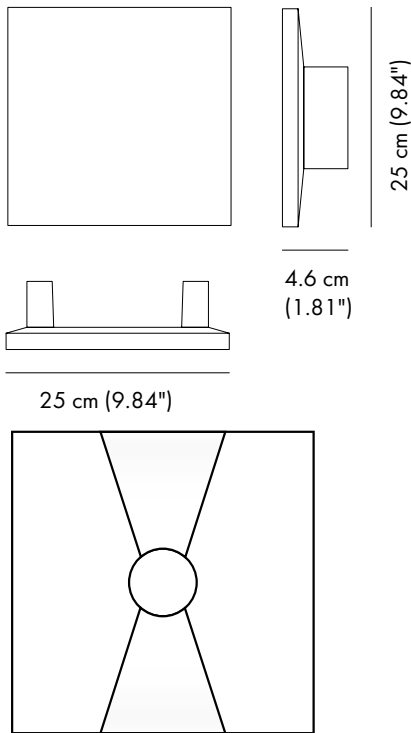
397

On request available in white dyeable color

sales@gordonbullard.com
www.bullardbollards.com
1-877-964-4646



991 South Gull Lake Dr
Richland, MI 49083
USA



WING Q BIG WALL LAMP DUO EMISSION 1090B-396-30176

Wall lamp/ BETALY
Surface finish : BETALY NERO
LED 24W /24Vdc/ 3200lm / 3000°K / CRI80

MODEL:

Code	1090B
Product family	Wall Lamp
Type	Wall Lamp

MATERIAL/SURFACE FINISH:

Code	396
Material	BETALY
Surface finish	BETALY NERO

ELECTRICAL PART:

Code	30176
Type	LED
Power	24W
Tension	24Vdc
Light Output	3200lm
Colour Temperature	3000°K
CRI	80
Dimmable	on request*
Power Supply	Remote Power Supply
Connection	Screws

GENERAL DATA:

Protection Index	IP65
Isolation Class	I
Weight [Kg]	1.2
Country of production	MADE IN ITALY

FINISH OPTIONS:



On request available in white dyeable color

sales@gordonbullard.com
www.bullardbollards.com
1-877-964-4646



991 South Gull Lake Dr
Richland, MI 49083
USA