

WING X WALL LAMP MONO EMISSION 1090C-396-30175

Wall lamp/ BETALY
Surface finish : BETALY NERO
LED 12W / 24Vdc/ 1600lm / 3000°K / CRI80

MODEL:

Code	1090C
Product family	Wall Lamp
Type	Wall Lamp

MATERIAL/SURFACE FINISH:

Code	396
Material	BETALY
Surface finish	BETALY NERO

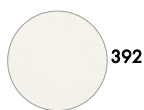
ELECTRICAL PART:

Code	30175
Type	LED
Power	12W
Tension	24Vdc
Light Output	1600lm
Colour	3000°K
Temperature	80
CRI	80
Dimmable	on request*
Power Supply	Remote Power Supply
Connection	Screws

GENERAL DATA:

Protection Index	IP65
Isolation Class	I
Weight [Kg]	1
Country of production	MADE IN ITALY

FINISH OPTIONS:



392



393



394



395



396



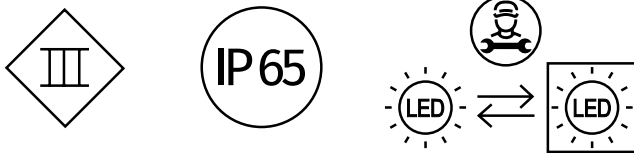
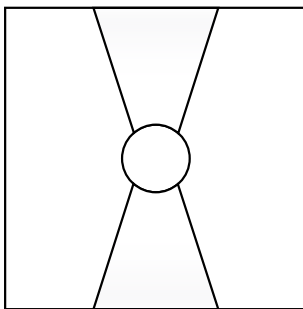
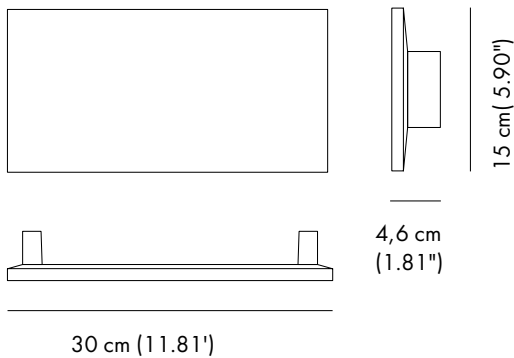
397

On request available in white dyeable color

sales@gordonbullard.com
www.bullardbollards.com
1-877-964-4646



991 South Gull Lake Dr
Richland, MI 49083
USA



WING X WALL LAMP DUO EMISSION 1090C-396-30176

Wall lamp/ BETALY
Surface finish : BETALY NERO
LED 24W / 24Vdc / 3200lm / 3000°K / CRI80

MODEL:

Code	1090C
Product family	Wall Lamp
Type	Wall Lamp

MATERIAL/SURFACE FINISH:

Code	396
Material	BETALY
Surface finish	BETALY NERO

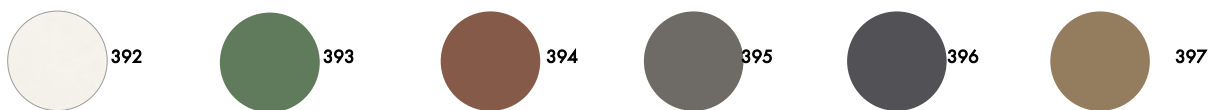
ELECTRICAL PART:

Code	30176
Type	LED
Power	24W
Tension	24Vdc
Light Output	3200lm
Colour	3000°K
Temperature	CRI 80
Dimmable	on request*
Power Supply	Remote Power Supply
Connection	Screws

GENERAL DATA:

Protection Index	IP65
Isolation Class	I
Weight [Kg]	1
Country of production	MADE IN ITALY

FINISH OPTIONS:



On request available in white dyeable color

sales@gordonbullard.com
www.bullardbollards.com
1-877-964-4646



991 South Gull Lake Dr
Richland, MI 49083
USA