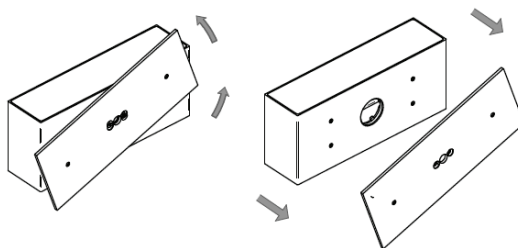
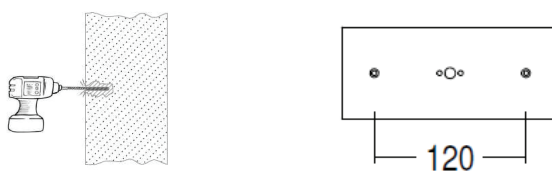


**KARAH L. / KARAH L.E.**

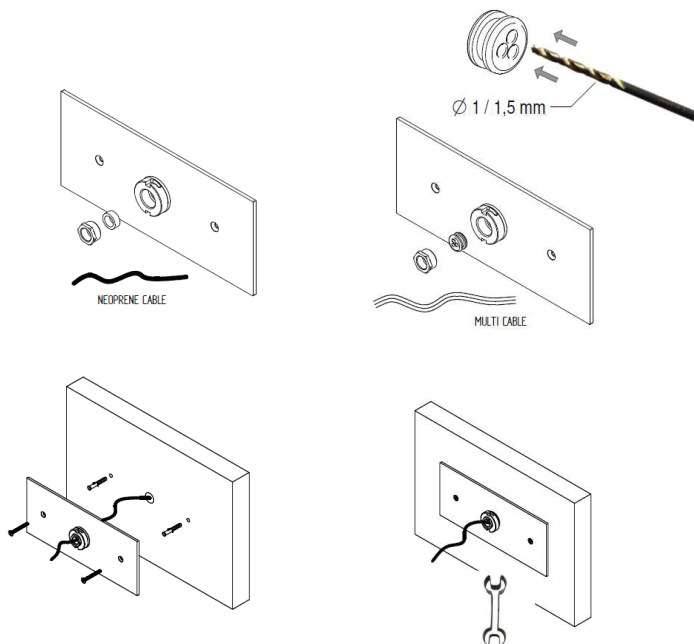
For remove the bracket from the product rotate and unthread



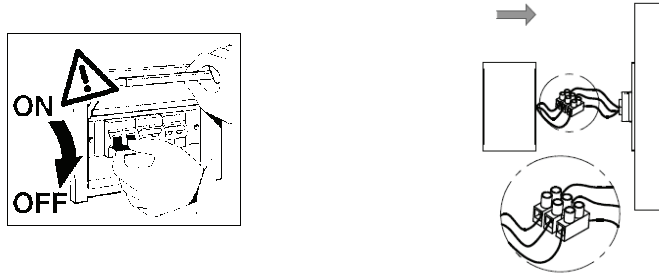
Make two hole for fix the bracket with a distance of 120mm



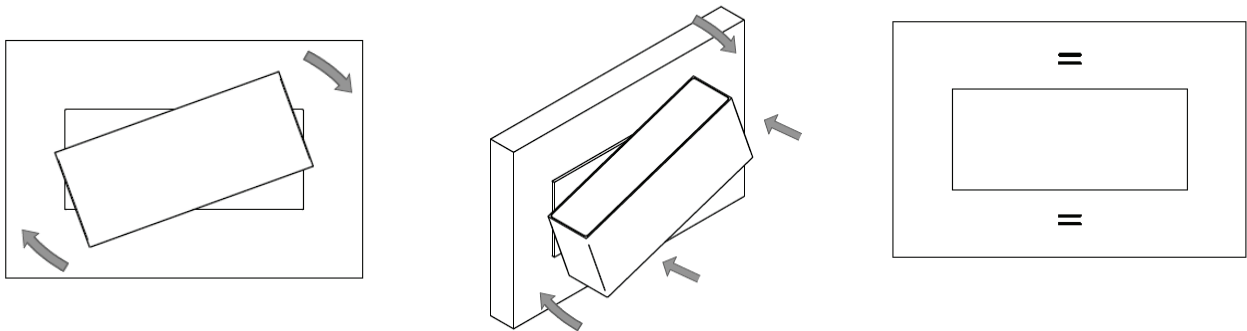
With the neoprene cable use the equipped gasket, with other cables use the accessory gasket. The accessory gasket must be drilled. Fix the bracket on the wall with supplied rawlplugs and screws. With an hexagonal key close the nut for block the cable and have the watertight



Connect the product by the supplied connector. Connect phase, neutral and ground cable.  
The connection between more products must be do in parallel.



Incline the applique and fix to the bracket, the position is lean to the bracket. Rotate for the right installation



The product installation and electrical connection must be made by qualified operator, BullardBollards declines any liability for damage caused by improper installation. It is important that all operations are carried out in the absence of 110-277Vac, can be restored at the end of all wiring and connected to the secondary of the respective power supplies, the inobservance of this rule can lead to equipment failure. Any changes to the product, inappropriate use and the not observance to the instruction will make decay the warranty. This warranty is limited, not included any damage due to natural causes such as fire, lightning or flooding. Commercial and technical reports related to the warranty are only between BullardBollards and our direct customers. The warranty of the BullardBollards products is for 24 month from the date of purchase