

ITEM	HEIGHT	LIGHT SOURCE	LENS SELECTED	DEGREE(°)θ1/2	INPUT VOLTAGE(V)	OPERATING CURRENT(MA)	CONSUMPTION(W)	LUMINANCE(LM)	IK
BB-B9AZL0857-B	43.6cm (17.16")	8×1.5W OSRAM	A10	50°	110-277V	62	14	1210	08
BB-B9AZM0857-B	83.6cm (32.9")								

HOUSING T=60-80µm Adhesion of ISO class 1/ASTM class 4B 12#

LIGHT WINDOW Die-casting powder coated aluminum.

LED PC

LED DRIVER SMD3030

OPERATING TEMPERATURE POWER Constant Voltage Input, Constant Current Output
-20°C~40°C

CABLE Outside of luminaire
110-277V: H05RN-F 3×1.0mm², L=0.5m

BASE Flange Base

DIMMING SUPPORT Triac PWM Available
1-10V Dali Customized

BEAM DEMO



REGULAR PAINTING COLOR

Basic

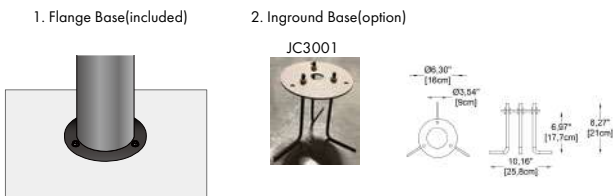
- Sanded Black RAL 9005
- Dark Grey RAL 7037
- Light Sanded Grey RAL 7038

OPTICS

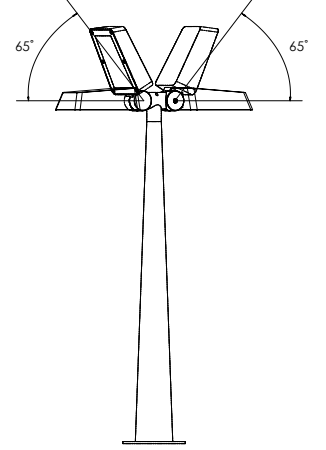
Referenced Degree(°)θ1/2

OPTICS	10°	20°	50°
A10			

INSTALLATION BASE



ADJUSTABLE BEAM DIRECTION

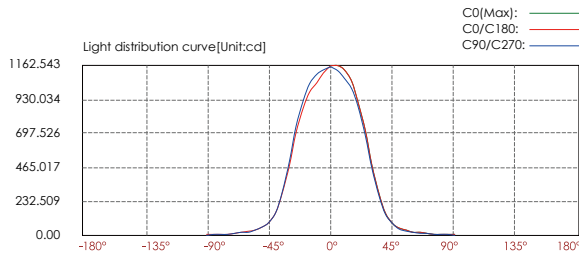
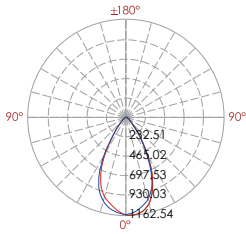
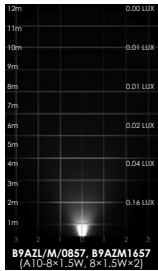


sales@gordonbullarda.com
www.bullardbollards.com
1-877-964-4646



991 South Gull Lake Dr
Richland, MI 49083
USA

PHOTOMETRIC



Lux distance cure

	Illuminance at a distance	
	Center beam LUX	Beam width V H
2m	290.04 LUX	2.1m 2.1m
4m	72.51 LUX	4.3m 4.2m
6m	32.23 LUX	6.4m 6.4m
8m	18.13 LUX	8.5m 8.5m
10m	11.60 LUX	10.7m 10.6m
12m	8.06 LUX	12.8m 12.7m

Vert.Spread: 56.1 Horiz.Spread: 55.8



sales@gordonbullarda.com
www.bullardbollards.com
1-877-964-4646



991 South Gull Lake Dr
Richland, MI 49083
USA