

BB-D9AYM6034-B

ITEM	HEIGHT	LIGHT SOURCE	INPUT VOLTAGE(V)	OPERATING CURENT (MA)	CONSUMPTION(W)	LUMINANCE (LM)	IK
BB-D9AYM6034-B	91.5cm(36.02")	30x0.5Wx2 OSRAM	110-277V	180	39	2x2054	05

- HOUSING** T=60-80µm Adhesion of ISO class 1/ASTM class 4B 12#
- LIGHT WINDOW** Die-casting powder coated aluminum.
- LED** PC
- LED DRIVER** SMD3030
- OPERATING** Constant Voltage Input, Constant Current Output
- TEMPERATURE POWER** -20°C~40°C
- CABLE** Outside of luminaire
110=277V: H05RN-F 3x1.0mm², L=0.5m
- BASE** Flange Base
- DIMMING SUPPORT** Triac PWM Available
1-10V Dali Customized

BEAM DEMO

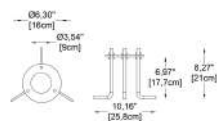
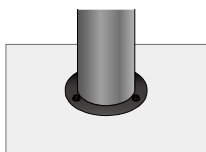


REGULAR PAINTING COLOR

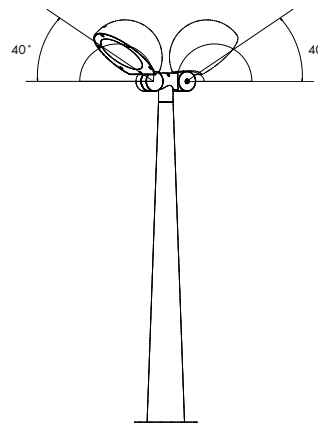
- Basic**
 - Sanded Black RAL 9005
 - Dark Grey KAP 7037
 - Light Sanded Grey RAL 7038
- Secondary**

INSTALLATION BASE

- 1. Flange Base(included)
- 2. Inground Base(option)



ADJUSTABLE BEAM DIRECTION

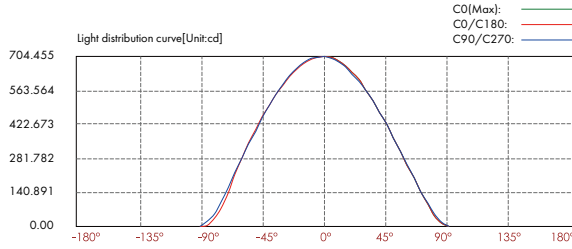
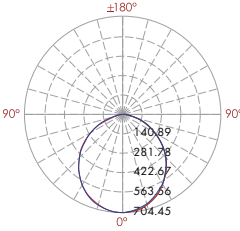
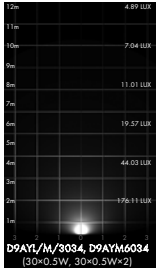


sales@gordonbullarda.com
www.bullardbollards.com
1-877-964-4646



991 South Gull Lake Dr
Richland, MI 49083
USA

PHOTOMETRIC



Lux distance curve

Center beam LUX	Illuminance at a distance	
	Beam width H	Beam width V
2m	176.11 LUX	5.3m 5.3m
4m	44.03 LUX	10.6m 10.5m
6m	19.57 LUX	15.9m 15.8m
8m	11.01 LUX	21.2m 21.1m
10m	7.04 LUX	26.5m 26.3m
12m	4.89 LUX	31.8m 31.6m

Horiz.Spread: 105.9 Vert.Spread: 105.6



sales@gordonbullarda.com
www.bullardbollards.com
1-877-964-4646



991 South Gull Lake Dr
Richland, MI 49083
USA

Due to the dynamic nature of lighting products and the associated technologies, luminaire data on all sheet sheets is subject to change at the discretion of Gordon Bullard LLC and associated companies.